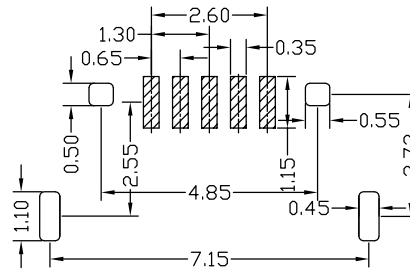
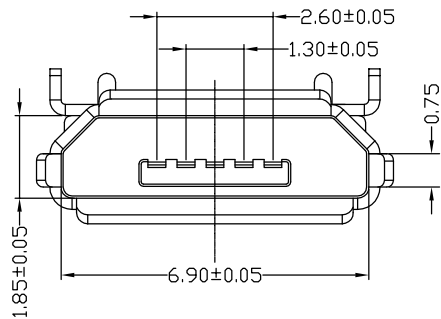


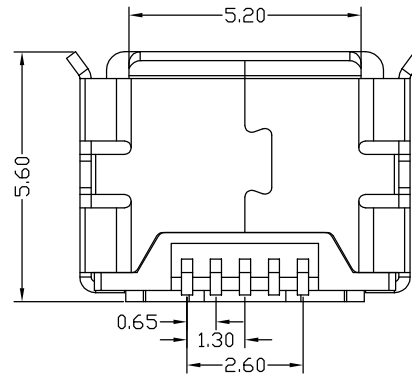
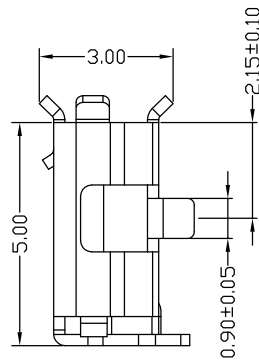
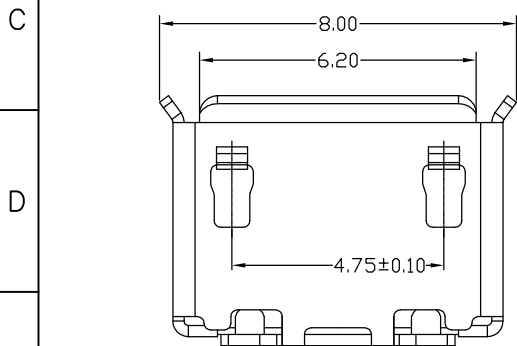
The product using material and processing must conform to the "WI-PZ-142"HSF technical standard control requirements



RECOMMENDED PCB LAYOUT

NOTE:

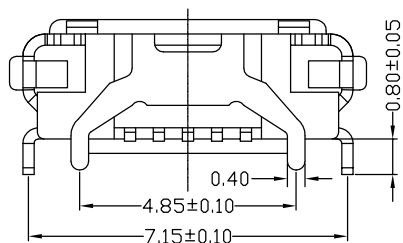
- 1.MATERIAL SPECIFICATION:
  - 1-1.HOUSING:LCP BLACK UL94V-0
  - 1-2.CONTACTS:COPPER ALLOY.
  - 1-3.SHELL: STAINLESS STEEL.
- 2.PLATING SPECIFICATION:
  - 2-1.CONTACTS:
    - Ni 50u" MIN. UNDER PLATED OVER ALL.
    - Au PLATED ON THE FUNCTIONAL AREA OF CONTACT.
  - 2-2. SHELL:
    - Ni 30u" MIN. UNDER PLATED OVER ALL.
- 3.MECHANICAL PERFORMANCE:
  - 3-1.INSERTION FORCE: 3.57kgf MAX
  - 3-2.REMOVAL FORCE: 0.8kgf MIN
  - 3-3.DURABILITY: 10000 CYCLES.
- 4.ELECTRICAL PERFORMANCE:
  - 4-1.CURRENT RATING:1.5A
  - 4-2.VOLTAGE RATING:5V MAX
  - 4-3.CONTACT RESISTANCE: 30m Ohm MAX.
  - 4-4.INSULATION RESISTANCE: 1000MΩ MIN
  - 4-5.DIELECTRIC WITHSTANDING VOLTAGE: 100V AC MIN
- 5.ENVIRONMENTAL PERFORMANCE:
  - OPERATING TEMPERATURE: -30°C~+85°C.



PART NO.:

WLM2F9-05 2 X X X 28-071

PLATING: \_\_\_\_\_ SHELL: \_\_\_\_\_  
 1-G/F 7-SN  
 2-AU 3U" 9-NI  
 5-AU 15U" COLOUR: \_\_\_\_\_  
 6-AU 30U" A:BLACK  
 K:WHITE



REV.	REVISION RECORD	DATE		GENERAL TOLERANCES		SCALE: 1:1	NAME	DATE	PART.NO:	DWG.NO:	
A0	NEW RELEASE	21.01.13		LINEAR	ANGLES	APPROVED	Wang_jr	21.01.13	WLM2F9-052XXX28-071	ENDE05	
			UNIT:mm	X'±3'	DESIGNER	Ding_bo	21.01.13	TITLE: MICRO 5P/F B TYPE DIP 0.8(7.15*4.85)		REV: A0    SHEET: 1/1	
			SIZE: A4	0.00±0.10	X'X' ±2'	DRAWN	Ou_jian				21.01.13