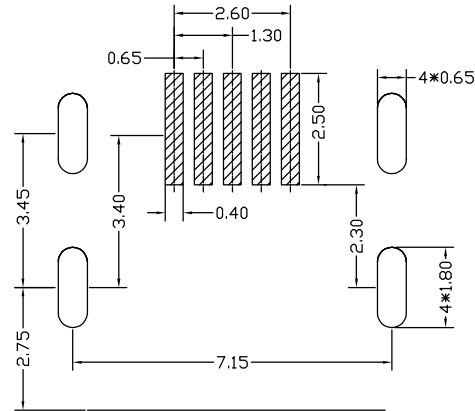
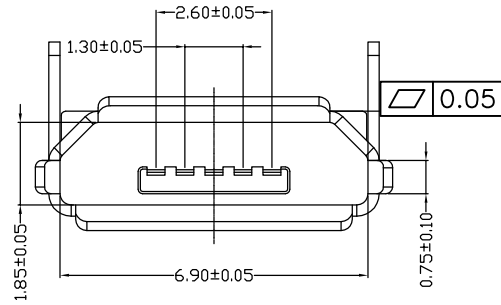


The product using material and processing must conform to the "WI-PZ-001"HSF technical standard control requirements



RECOMMENDED PCB LAYOUT

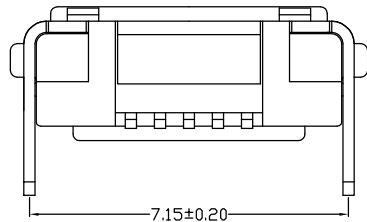
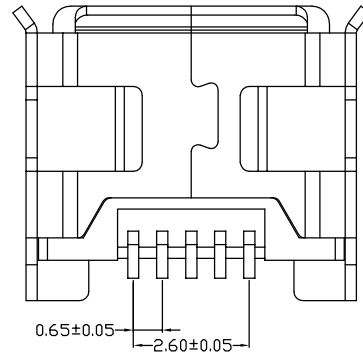
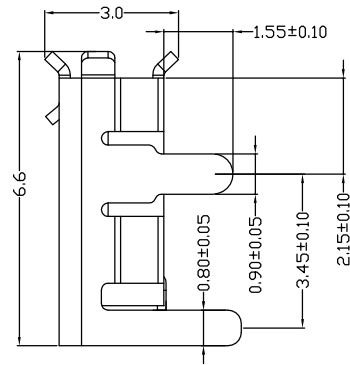
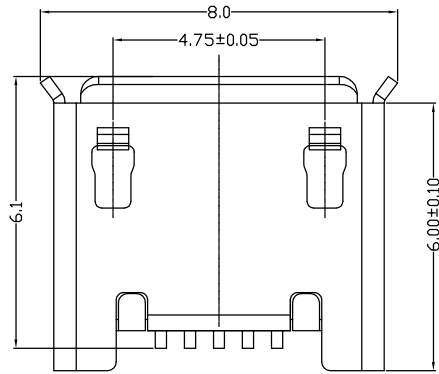
NOTE:

- 1.MATERIAL SPECIFICATION:
 - 1-1.HOUSING:LCP BLACK UL94V-0
 - 1-2.CONTACTS:COPPER ALLOY.
 - 1-3.SHELL: STAINLESS STEEL.
- 2.PLATING SPECIFICATION:
 - 2-1.CONTACTS:
Ni 50u" MIN. UNDER PLATED OVER ALL.
Au PLATED ON THE FUNCTIONAL AREA OF CONTACT.
 - 2-2. SHELL:
Ni 30u" MIN. UNDER PLATED OVER ALL.
- 3.MECHANICAL PERFORMANCE:
 - 3-1.INSERTION FORCE: 3.57kgf MAX
 - 3-2.REMOVAL FORCE: 0.8kgf MIN
 - 3-3.DURABILITY: 10000 CYCLES.
- 4.ELECTRICAL PERFORMANCE:
 - 4-1.CURRENT RATING:1.5A
 - 4-2.VOLTAGE RATING:5V MAX
 - 4-3.CONTACT RESISTANCE: 30m Ohm MAX.
 - 4-4.INSULATION RESISTANCE: 1000MΩ MIN
 - 4-5.DIELECTRIC WITHSTANDING VOLTAGE: 100V AC MIN
- 5.ENVIRONMENTAL PERFORMANCE:
OPERATING TEMPERATURE: -30°C~+85°C.

PART NO.:

WLM2F9-05 2 X X X 42-071

PLATING:	1-G/F	2-Au 3u"	5-Au 15u"	6-Au 30u"	SHELL:	7-SN	9-NI
					COLOUR:	A-BLACK	K-WHITE



REV.	REVISION RECORD	DATE		GENERAL TOLERANCES		SCALE:	NAME	DATE	PART.NO:	DWG.NO:		
A0	NEW RELEASE	21.01.13		LINEAR	ANGLES	1:1	Wang_jr	21.01.13	WLM2F9-052XXX42-071	ENDE05		
			UNIT:mm	X*REF±6'	APPROVED	Han_Gao	21.01.13	TITLE:				
			SIZE: A4	X'±3'	DESIGNER	Zijun_Huang	21.01.13	MICRO 5P/F B TYPE DIP 7.15(1.55*0.9)			REV: A0	SHEET: 1/1
			0.00±0.25	X'X' ±2'	DRAWN							