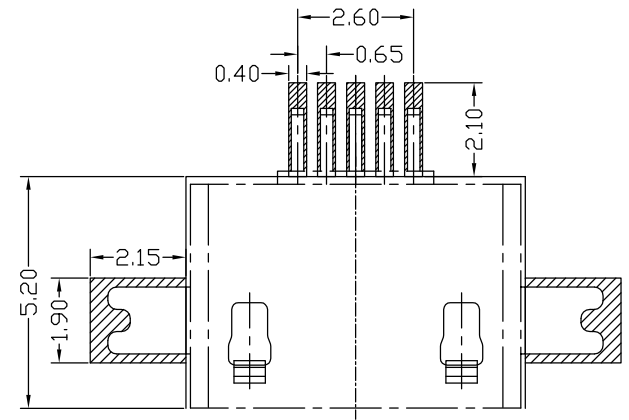
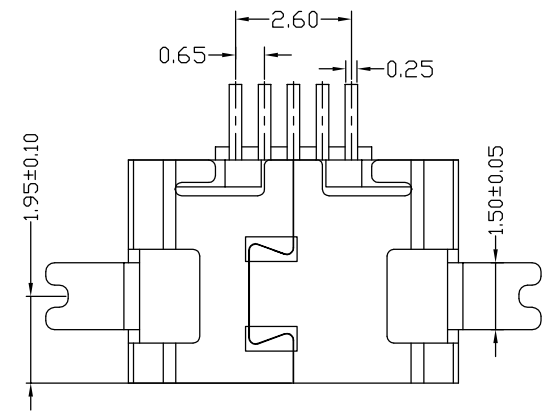
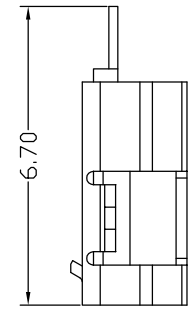
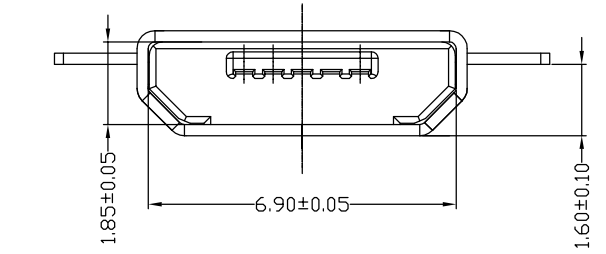
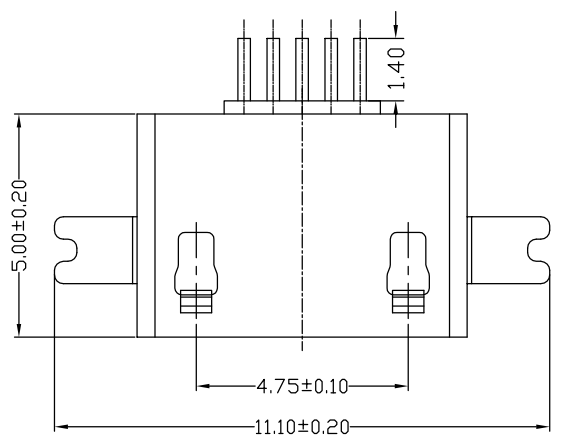
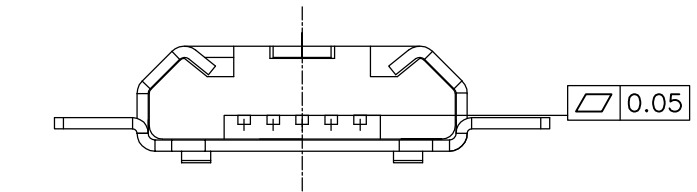


The product using material and processing must conform to the "WL-PZ-001"HSF technical standard control requirements

RoHS



RECOMMENDED PCB LAYOUT

NOTE:  
 1.MATERIAL SPECIFICATION:  
 1-1.HOUSING:LCP BLACK UL94V-0  
 1-2.CONTACTS:COPPER ALLOY(C5191-H).  
 1-3.SHELL: STAINLESS STEEL.  
 2.PLATING SPECIFICATION:  
 2-1.CONTACTS:  
 Ni 50u" MIN. UNDER PLATED OVER ALL.  
 Au PLATED ON THE FUNCTIONAL AREA OF CONTACT.  
 2-2. SHELL:  
 Ni /SN 30u" MIN. UNDER PLATED OVER ALL.  
 3.MECHANICAL PERFORMANCE:  
 3-1.INSERTION FORCE: 3.57kgf MAX  
 3-2.REMOVAL FORCE: 0.8kgf MIN  
 3-3.DURABILITY: 10000 CYCLES.  
 4.ELECTRICAL PERFORMANCE:  
 4-1.CURRENT RATING:1.5A  
 4-2.VOLTAGE RATING:5V MAX  
 4-3.CONTACT RESISTANCE: 30m Ohm MAX.  
 4-4.INSULATION RESISTANCE: 1000MΩ MIN  
 4-5.DIELECTRIC WITHSTANDING VOLTAGE: 100V AC MIN  
 5.ENVIRONMENTAL PERFORMANCE:  
 OPERATING TEMPERATURE: -30°C~+85°C.  
 PACKAGE SPEC: REEL

PART NO.:  
 WLM2F9-058 X X X 030  
 PLATING: 1-G/F 2-Au 3u" 5-Au 15u" 6-Au 30u"  
 SHELL: 7-SN 9-NI  
 COLOUR: A-BLACK

REV.	REVISION RECORD	DATE		GENERAL TOLERANCES		SCALE: 1:1	NAME	DATE	PART.NO:	DWG.NO:	
A0	NEW RELEASE	21.01.13		LINEAR	ANGLES	APPROVED	Wang_jr	21.01.13	WLM2F9-058XXX030	ENDE05	
			UNIT:mm	0.00±0.25	X'±3'	DESIGNER	Ding_bo	21.01.13	TITLE:		REV: A0    SHEET: 1/1
			SIZE: A4	0.000±0.10	X'X' ±2'	DRAWN	Ou_jian	21.01.13	MICRO 5P/F B TYPE SMT CL 1.6mm		