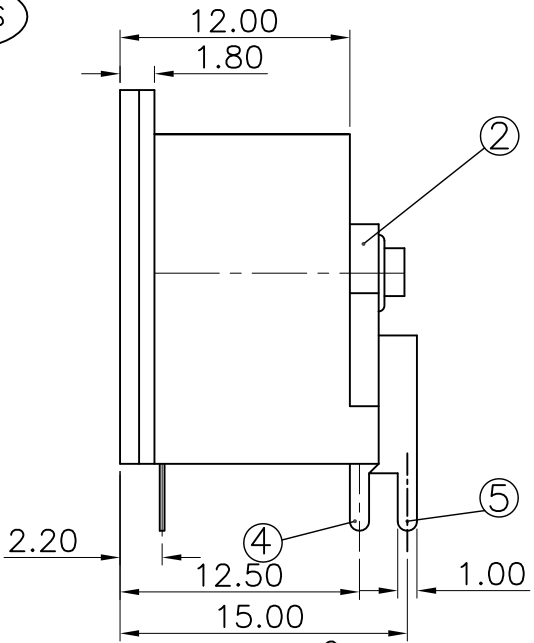
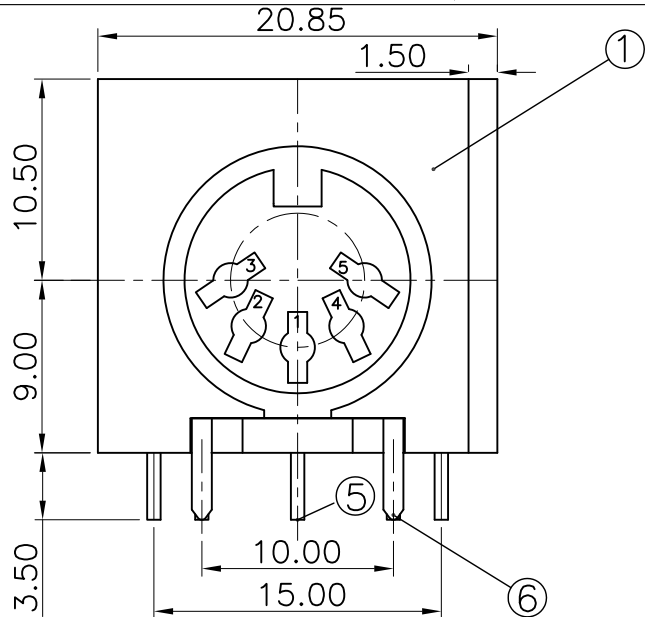


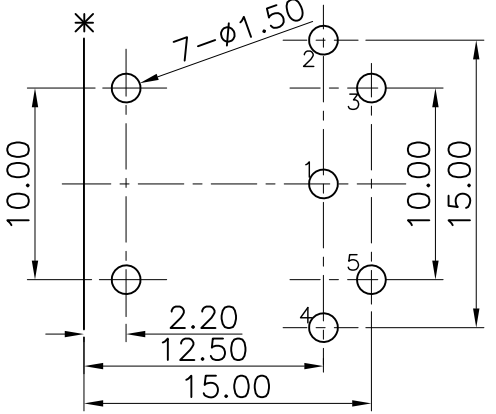
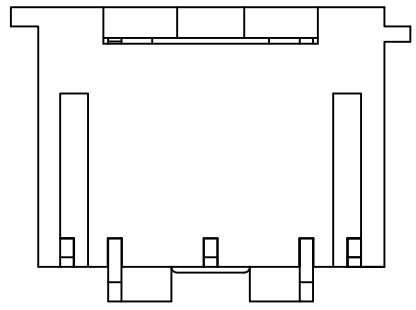
The product using material and processing must conform to the "WI-PZ-001"HSF technical standard control requirements

RoHS



NOTE:  
 1.MATERIAL SPECIFICATION:  
 1-1.HOUSING:PBT  
 1-2.COVER:POLYETHYLENE  
 1-3.CONTACT TERMINAL 1/2/3:PHOSPHOR BRONZE  
 1-4.GROUND CONTACT:BRONZE  
 1-5.SHIELD:BRASS  
 2.PLATING SPECIFICATION:  
 2-1.CONTACT TERMINAL 1/2/3:  
 SILVER PLATING ON CONTACT AREA.  
 2-2.GROUND CONTACT:  
 COPPER AND TTIN PLATING ON CONTACT AREA.  
 3.MECHANICAL PERFORMANCE:  
 3-1.INSERTION AND EXTRACTION FORCE:5N~35N  
 3-3.DURABILITY: 1000 CYCLES.  
 4.ELECTRICAL PERFORMANCE:  
 4-1.RATED CURRENT:1A  
 4-2.NOMINAL VOLTAGE:50V  
 4-3.CONTACT RESISTANCE: 30mΩ MAX  
 4-4.INSULATION RESISTANCE: 100MΩ MIN  
 4-5.WITHSTANDING VOLTAGE: 500V AC  
 5.OPERATION TEMPERATURE RANGE:-20°C~+85°C  
 6.P/N: WLMJF9-051 X X 0004

PLATED: 1.G/F  
 7.SN  
 8.AG  
 COLOUR:  
 A.BLACK



P.C.B Layout  
 (Copper-sided view)

REV.	REVISION RECORD	DATE		GENERAL TOLERANCES		SCALE: 1:1	NAME	DATE	PART.NO:	DWG.NO:	
A0	NEW RELEASE	21.01.13		LINEAR	ANGLES	APPROVED	Wang_jr	21.01.13	WLMJF9-051XX0004	ENDE05	
			UNIT:mm	0.00±0.25	X°±3°	DESIGNER	Han_Gao	21.01.13	TITLE: DIN SOCKET		REV: A0    SHEET: 1/1
			SIZE: A4	0.000±0.10	X°X' ±2°	DRAWN	Zijun_Huang	21.01.13			