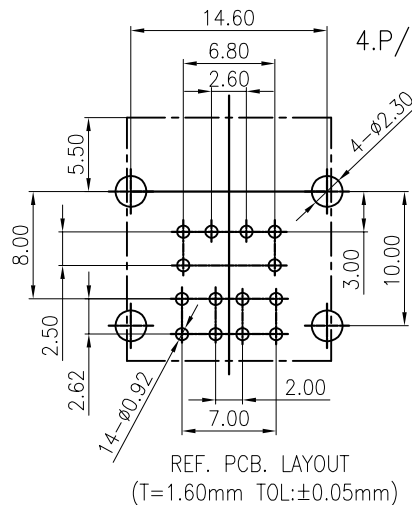
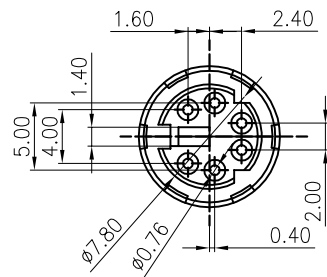
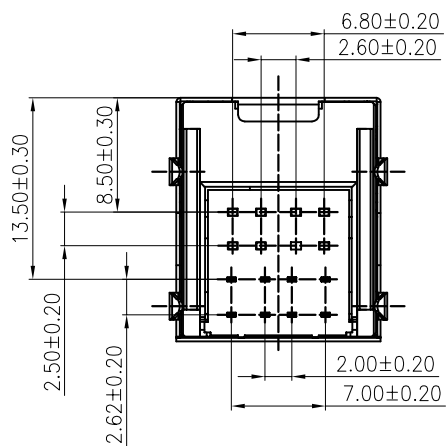
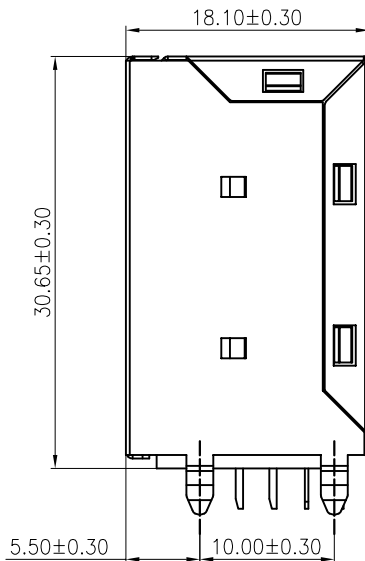
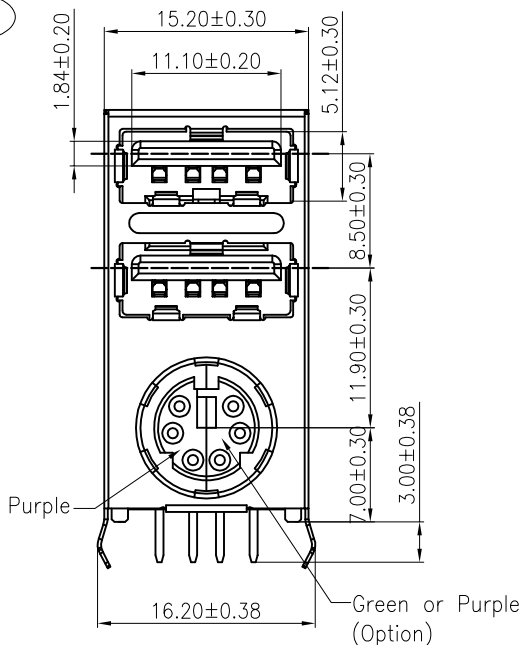


The product using material and processing must conform to the "WI-PZ-001"HSF technical standard control requirements

RoHS



NOTE:

MATERIALS:

1. USB Housing: PBT Color: Black
2. Mini Din Housing: PBT
Color: Purple/Green Or Purple/Purple
3. USB Contacts: Brass (T=0.25)
4. Mini Din Contacts: Brass (T=0.20)
5. Front Shell: SPCC (T=0.25)
6. Back Shell: SUS201 (T=0.25)

FINISH:


1. USB Contact:
Gold Flash Plated On Contact Area
Sn(80u" Min) Plated On Solderails
Nickel(45u" Min) Under Plated Over All
2. Mini Din Contact:
Gold Flash Plated On Contact Area
Sn(80u" Min) Plated On Solderails
Nickel(45u" Min) Under Plated Over All
3. Front Shell:
Sn(80u" Min) Plated Over Nickel(45u" Min)

4.P/N:

WLMJF9-14 1 X X 0 002

PLATING:
1-G/F

COLOUR:
3.PURPLE+GREEN

REV.	REVISION RECORD	DATE	UNIT:mm	GENERAL TOLERANCES		SCALE: 1:1	NAME	DATE	PART.NO:	DWG.NO:	 WanLian Teconology Co., Ltd
AO	NEW RELEASE	21.01.13		SIZE: A4	LINEAR	ANGLES	APPROVED	Wang_jr	21.01.13	WLMJF9-141XX002	
			0.00±0.25		X'±3'	DESIGNER	Han_Gao	21.01.13	TITLE: TRIPLETS DOUBLE USB2.0 +PS2 (HALF GREEN AND HALF PURPLE)DIP TYPE K FOOT ELBOW PLATE HEIGHT 31MM, 14PIN		
				0.000±0.10	X'X' ±2'	DRAWN	Zijun_Huang	21.01.13			REV: A0 SHEET: 1/1