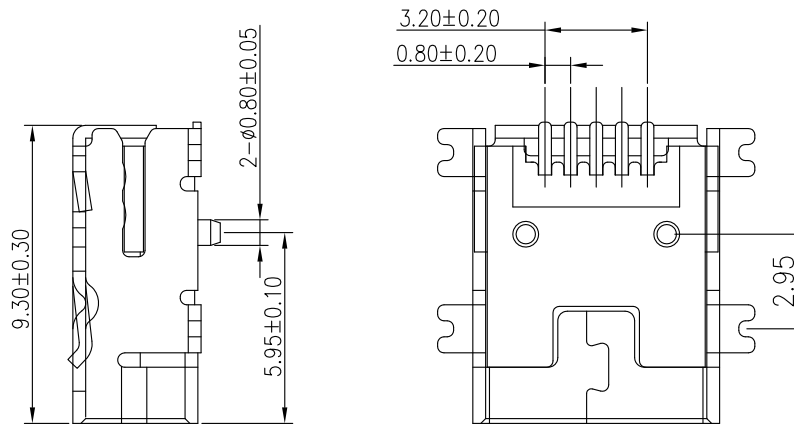
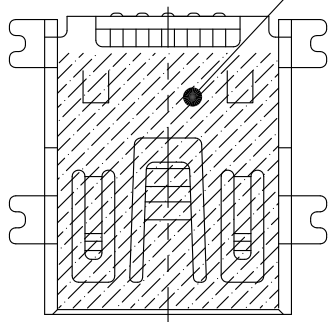


The product using material and processing must conform to the "WI-PZ-001" HSF technical standard control requirements

RoHS+HF

MYLAR

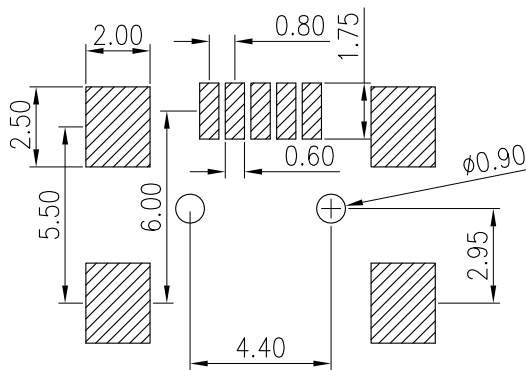
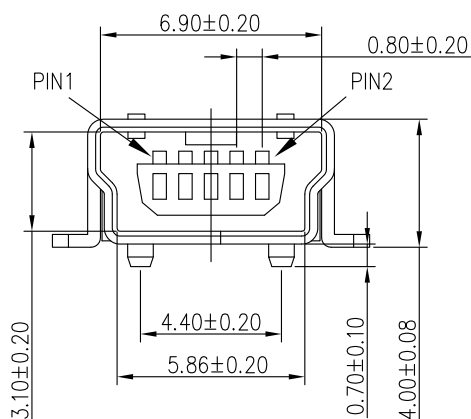


NOTE:

- 1.MATERIAL SPECIFICATION:
 - 1-1.HOUSING:LCP BLACK UL94V-0
 - 1-2.CONTACTS:COPPER ALLOY: PHOSPHOR BRONZE.
 - 1-3.SHELL:COPPER ALLOY: BRASS .
- 2.PLATING SPECIFICATION:
 - 2-1.CONTACTS:
 - NI 50U" MIN. UNDER PLATED OVER ALL.
 - AU PLATED ON THE FUNCTIONAL AREA OF CONTACT.
 - 2-2. SHELL:
 - NI 50U" MIN. UNDER PLATED OVER ALL.
- 3.MECHANICAL PERFORMANCE:
 - 3-1.INSERTION FORCE: 3.57KGF MAX
 - 3-2.REMOVAL FORCE: 0.8KGF MIN
 - 3-3.DURABILITY: 5000 CYCLES.
- 4.ELECTRICAL PERFORMANCE:
 - 4-1.RATED CURRENT:1A
 - 4-2.RATED VOLTAGE :30V AC(RMS)/DC
 - 4-3.CONTACT RESISTANCE:50M OHM MAX.
 - 4-4.INSULATION RESISTANCE: 100MΩ MIN
 - 4-5.DIELECTRIC WITHSTANDING VOLTAGE: 500V AC MIN
- 5.ENVIRONMENTAL PERFORMANCE:
 - OPERATING TEMPERATURE: -20°C~+85°C.
- 6.PACKAGE SPEC:TRAY

WLM2F9-05 1 X X 0003

PLATING: COLOUR:
 1-G/F A:BLACK
 2-AU 3U" K:WHITE
 5-AU 15U"
 6-AU 30U"



RECOMMENDED PCB LAYOUT

REV.	REVISION RECORD	DATE	GENERAL TOLERANCES		SCALE:	NAME	DATE	PART.NO:	DWG.NO:	 WanLian Teconology Co., Ltd
A0	NEW RELEASE	21.01.13	LINEAR	ANGLES	1:1	Wang_jr	21.01.13	WLMNF9-052XX0003	ENDE05	
			0.0±0.35	X'REF±6'	APPROVED	Ding_bo	21.01.13	TITLE: MINI USB 5P/F B型 SMT 四脚贴板 有柱		REV: A0 SHEET: 1/1
			0.00±0.25	X'±3'	DESIGNER	Ou_jian	21.01.13			
			0.000±0.10	X'X' ±2'	DRAWN					