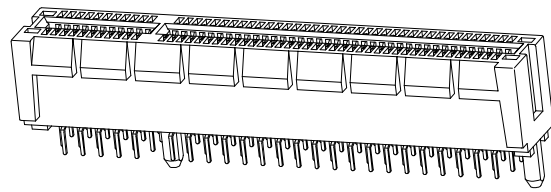
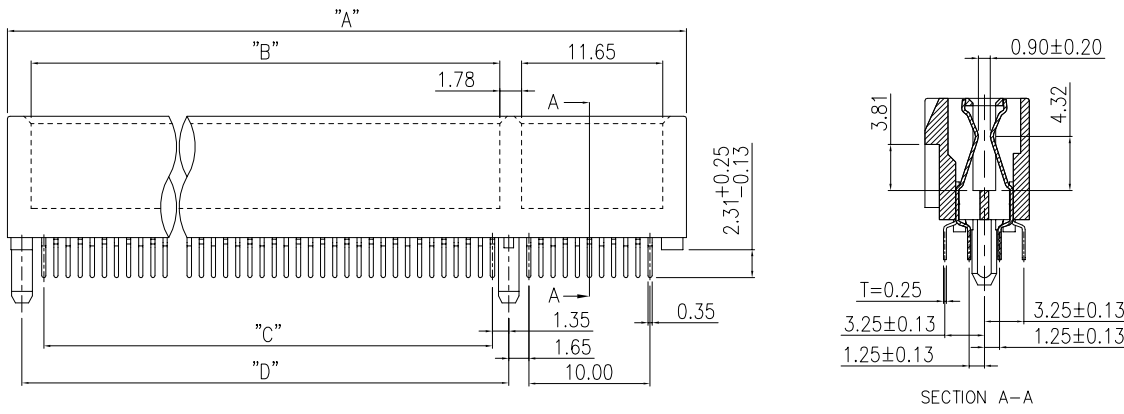
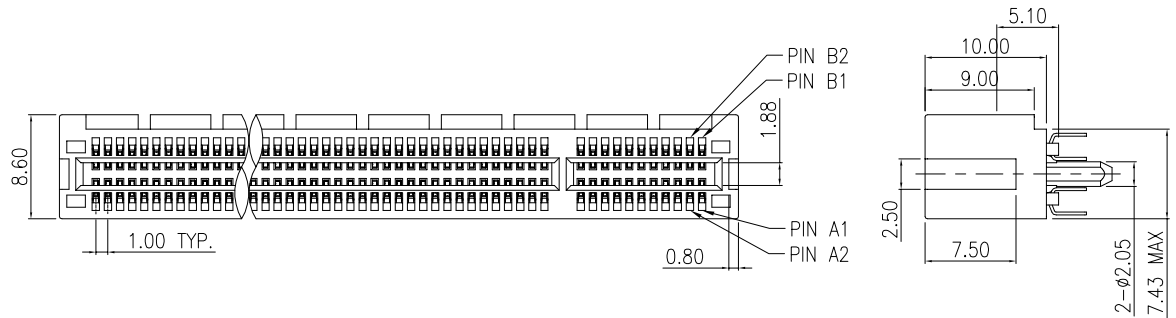


The product using material and processing must conform to the "WI-PZ-142"HSF technical standard control requirements



3D VIEW

POSITIONS	"A"	"B"	"C"	"D"	"E"	"F"	"G"
36	25.00	7.65	6.00	9.15	6.00	8.15	20.3
64	39.00	21.65	20.00	23.15	20.00	22.15	34.3
98	56.00	38.65	37.00	40.15	37.00	39.15	51.3
164	89.00	71.65	70.00	73.15	70.00	72.15	84.3


1. MATERIAL:
 Housing: High temperature plastic, Nylon 66+30%G.F (UL94V-0)
 Terminal: Phosphor Bronze C5191R-H
2. Finish:
 Terminal:
 Contact area: select Gold plating
 Soldering area: Matte Tin plating 100u" thickness Min.
 Under plating: Nickel plating 50u" thickness Min. overall.

WLPCF0-XX 1 X X 02-083

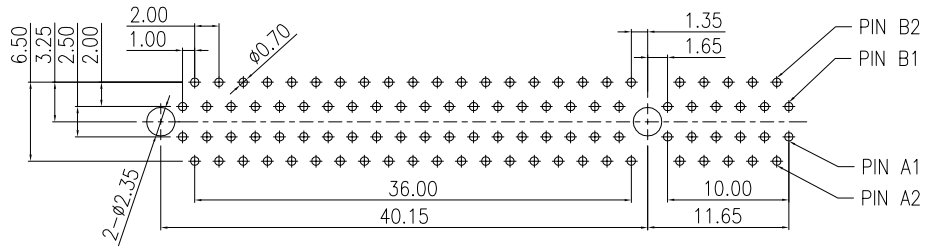
PIN: _____ COLOUR: A:Black

01-36PIN
 02-64PIN
 03-98PIN
 04-164PIN

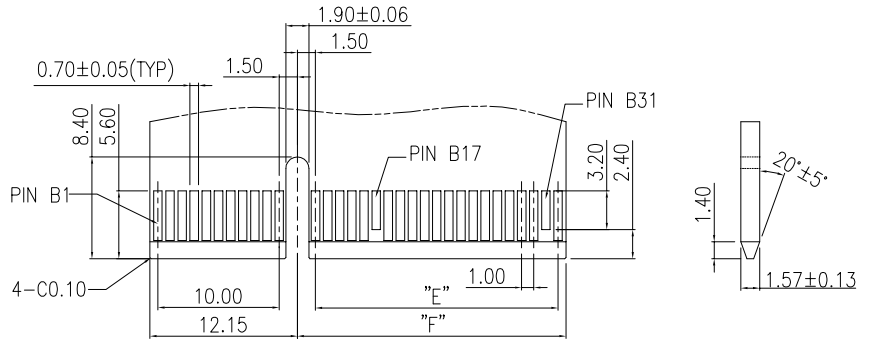
PLATING:
 1-G/F
 2-AU 3U"
 5-AU 15U"
 6-AU 30U"

REV.	REVISION RECORD	DATE	GENERAL TOLERANCES	SCALE: 1:1	NAME	DATE	PART.NO:	DWG.NO:
A0	NEW RELEASE	21.01.13	LINEAR 0.0±0.35	APPROVED	Wang_jr	21.01.13	WLPCF0-XX1XX02-083	ENDE05
			ANGLES X°REF±6°	DESIGNER	Ding_bo	21.01.13	TITLE:	 WanLian Teconology Co., Ltd
			UNIT:mm 0.00±0.25	DRAWN	Ou_jian	21.01.13	PCIE 36/64/98/164Pin 180° DIP	
			SIZE: A4 0.000±0.10					REV: A0
								SHEET: 1/2

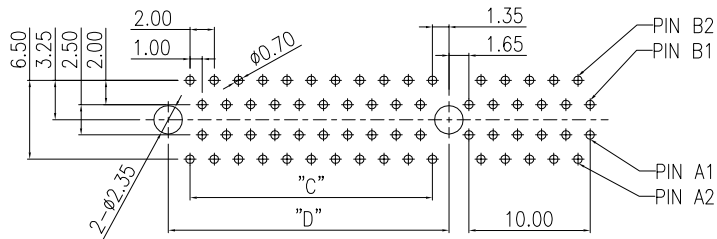
The product using material and processing must conform to the "WI-PZ-142"HSF technical standard control requirements



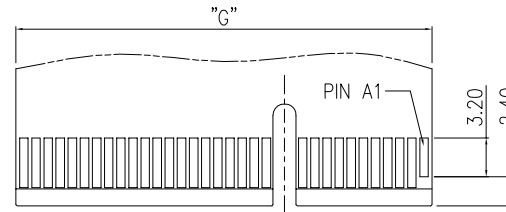
RECOMMENDED PCB LAYOUT (TOP VIEW)
(FOR: -98PIN)



Primary(Component) Side



RECOMMENDED PCB LAYOUT (TOP VIEW)
(FOR: -36PIN, -64PIN, -164PIN)



Secondary (Solder) Side

REV.	REVISION RECORD	DATE		GENERAL TOLERANCES		SCALE: 1:1	NAME	DATE	PART.NO:	DWG.NO:	 WanLian Teconology Co., Ltd
A0	NEW RELEASE	21.01.13		LINEAR	ANGLES	APPROVED	Wang_jr	21.01.13	WLPCFO-XX1XX02-083	ENDE05	
			UNIT:mm	0.00±0.25	X°±3°	DESIGNER	Ding_bo	21.01.13	TITLE:		REV: A0 SHEET: 2/2
			SIZE: A4	0.000±0.10	X°X' ±2°	DRAWN	Ou_jian	21.01.13	PCIE 36/64/98/164Pin 180° DIP		