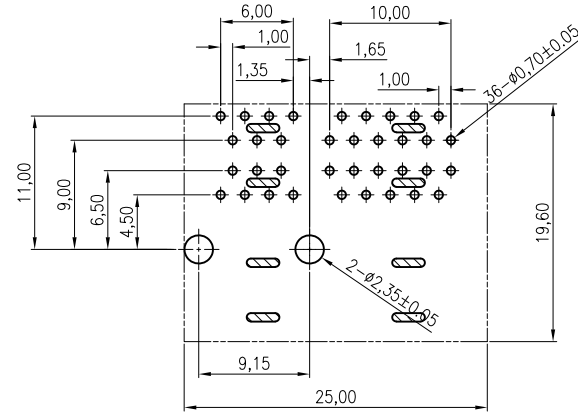
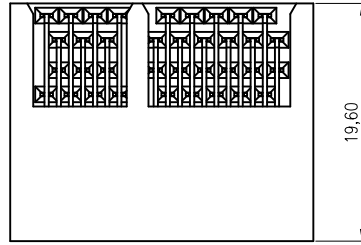
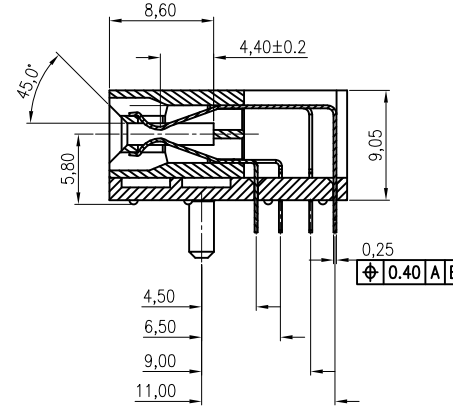
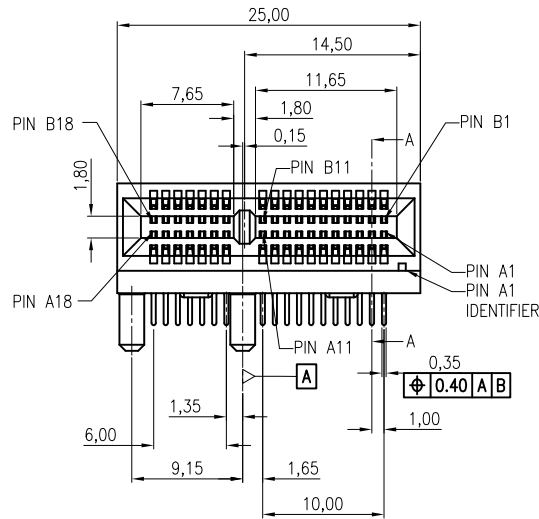
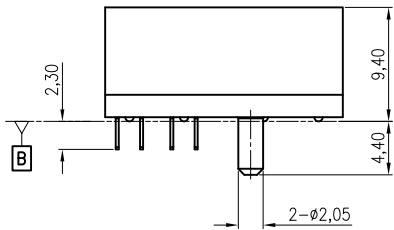


The product using material and processing must conform to the "WI-PZ-001"HSF technical standard control requirements

RoHS



RECOMMENDED PCB LAYOUT  
TOP VIEW; THK=1.2~1.6MM, TOL:±0.05MM  
KEEP OUT AREA.



NOTE:

- MATERIAL:
  - HOUSING:HIGH TEMP NYLON, UL94V-0, COLOR:BLACK
  - TINE PLATE: LCP, UL94V-0, COLOR:BLACK
  - TERMINAL: PHOSPHOR BRONZE C5191R/H
- PLATING:
  - CONTACT AREA: 20u" Min. NICKEL UNDER PLATED OVER ALL GOLD SELECT Min. PLATED ON CONTACT AREA 80u" Min. MATTE TIN PLATED ON SOLDER TAIL
  - LOGO AREA: OPTIONAL
  - SLOT ACCEPTS STANDARD 1.57±10% MM THICK ADD-IN CARD
- ELECTRICAL CHARACTERS
  - CONTACT RESISTANCE: 30 MILLIOHMS MAX.
  - CURRENT RATING:0.5 A
  - INSULATION RESISTANCE: 100 MEGOHMS MIN.
- MECHANICAL CHARACTERS
  - INSERTION FORCE: 1.15N MAX PER CONTACT PAIR
  - WITHDRAWAL FORCE 0.15N MIN PER CONTACT PAIR
  - CONTACT RETENTION FORCE: 4.9N MIN PER CONTACT

WLPCF9-36 1 X X 0001

PLATING: 1-G/F 2-AU 3U" 5-AU 15U" 6-AU 30U"  
COLOUR: A:Black

REV.	REVISION RECORD	DATE	GENERAL TOLERANCES		SCALE:	NAME	DATE	PART.NO:	DWG.NO:	 WanLian Teconology Co., Ltd
A0	NEW RELEASE	21.01.13	LINEAR	ANGLES	1:1	Wang_jr	21.01.13	WLPCF9-361XX0001	ENDE05	
			0.0±0.35	X°REF±6°	APPROVED	Ding_bo	21.01.13	TITLE:		
			UNIT:mm	0.00±0.25	X'±3'	DESIGNER	Ou_jian	21.01.13	PCIE 36Pin 90° DIP	
			SIZE: A4	0.000±0.10	X'X' ±2'	DRAWN			REV: A0	