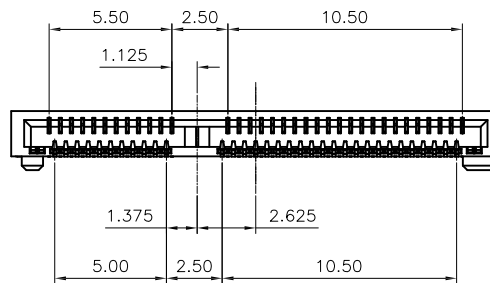
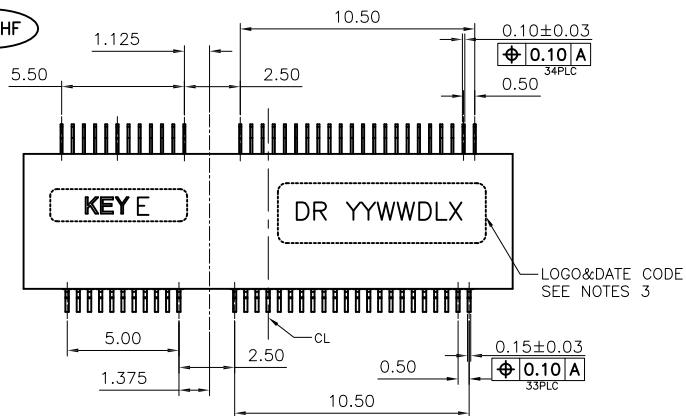
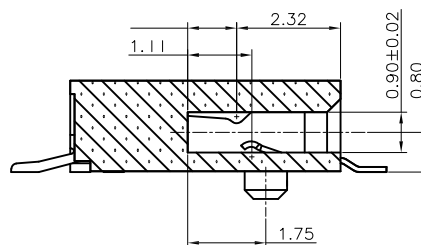
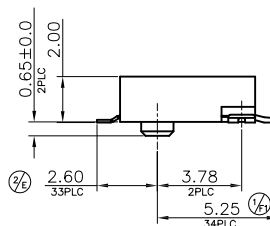
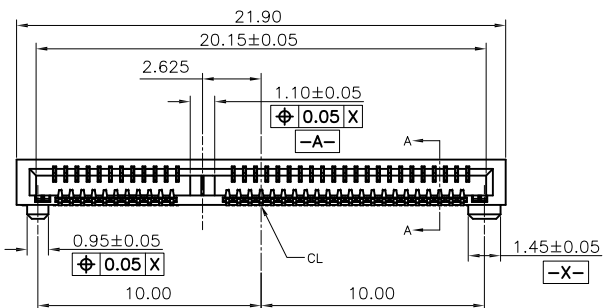


The product using material and processing must conform to the "WI-PZ-001"HSF technical standard control requirements

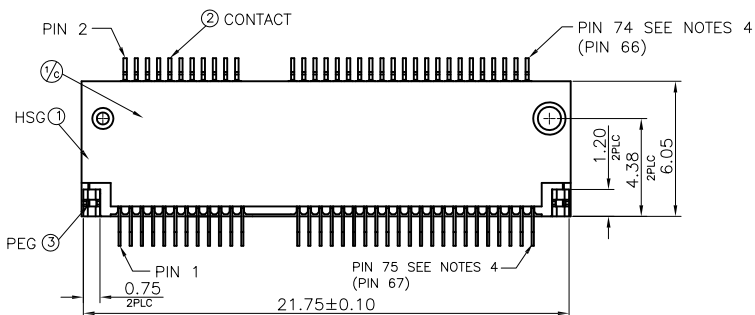
RoHS+HF



KEY E

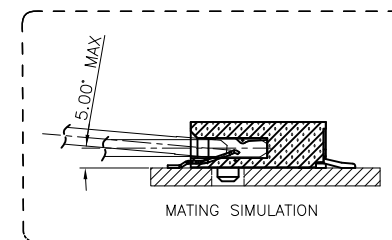



SECTION:A-A
SCALE:2:1



NOTE:

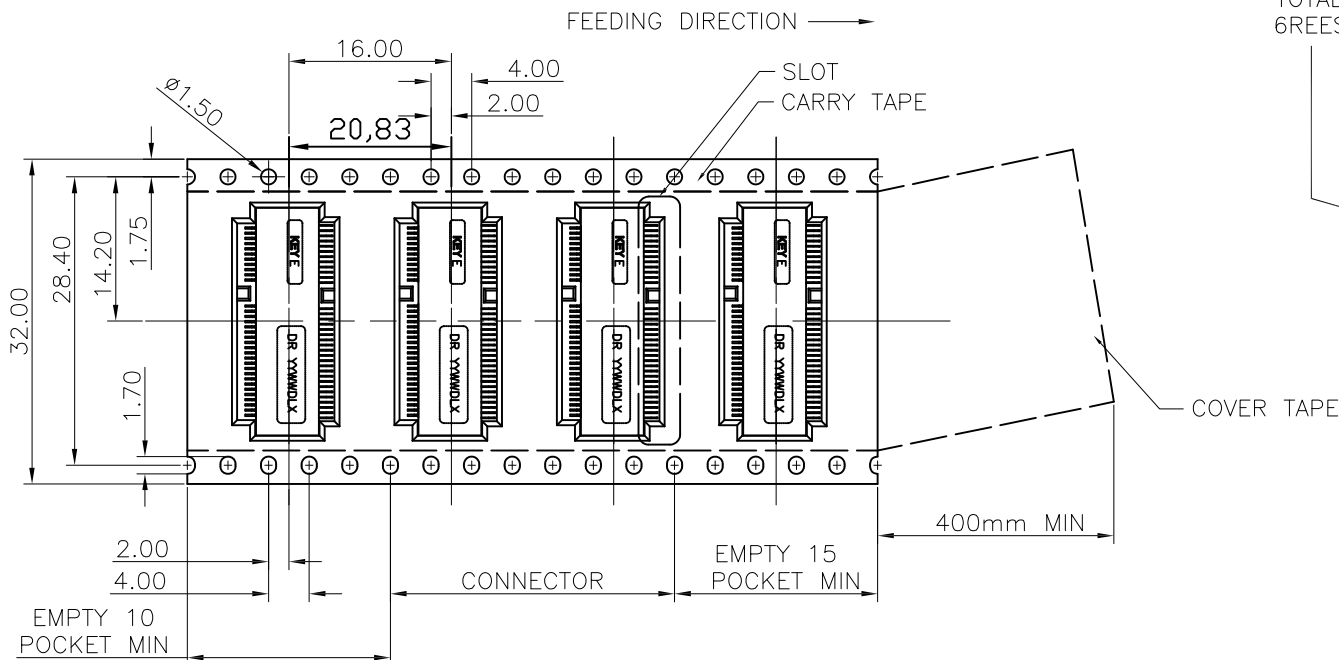
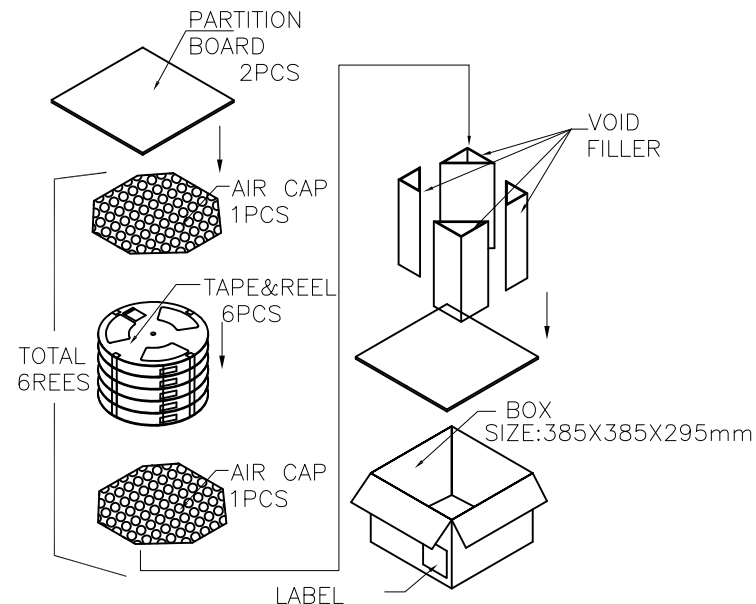
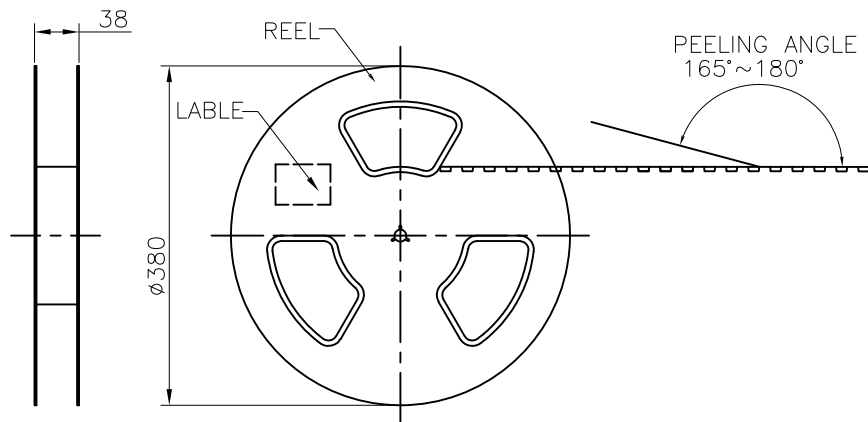
- MATERIAL SPECIFICATION:
 - HOUSING: LCP,UL94V-0
 - CONTACTS: PHOSPHOR BRONZE
 - SOLDER PEG:SUS
- PLATING SPECIFICATION:
 - CONTACTS: UNDERCOAT NICKEL 50u" MIN ALL OVER AU GF PLATING ON SOLDER TAIL
 - SOLDER PEG: MATTE TIN 80u" MIN. AND NICKEL 50u"MIN UNDERPLATED
- MECHANICAL PERFORMANCE:
 - INSERTION FORCE: 2.04Kgf max
 - REMOVAL FORCE: 0.1kgf MIN
 - DURABILITY: 60 CYCLES.
- ELECTRICAL PERFORMANCE:
 - CURRENT RATING: 0.5A
RATED VOLTAGE : 50V AC/DC
 - CONTACT RESISTANCE: 20 mΩ MAX
 - INSULATION RESISTANCE: 500MΩ Min
 - DIELECTRIC WITHSTANDING : 300V
- ENVIRONMENTAL PERFORMANCE:
 - OPERATING TEMPERATURE: -40°C~+80°C.
- PACKAGE SPEC:REEL
- P/N: WLPFC9-67 2 X X 0003
P/N: 67-67PIN
COLOR: A-BLACK, K-WHITE, S-NATURE, M-BEIGE
PLATING: A-ALL AU G/F, C-BRIGIE TIN, D-FOG TIN



REV.	REVISION RECORD	DATE	GENERAL TOLERANCES		SCALE:	NAME	DATE	PART.NO:	DWG.NO:	 WanLian Teconology Co., Ltd
AO	NEW RELEASE	21.10.12	LINEAR	ANGLES	1:1	Wang_jr	21.10.12	WLPFC9-672XX0003	ENDE05	
			0.0±0.35	X'REF±6°	APPROVED	Han_Gao	21.10.12	TITLE:		
			UNIT: mm	0.00±0.25	DESIGNER	Zijun_Huang	21.10.12	PCI E4.0 NGFF 2.0H KEY-E with plastic posts	REV: AO	
			SIZE: A4	0.000±0.10	DRAWN					

The product using material and processing must conform to the "WI-PZ-001"HSF technical standard control requirements

RoHS+HF



1500	6	9000	X.XXKG	X.XXKG
PCS/TAPE	REELS/BOX	PCS/BOX	GROSS WEIGHT	NET WEIGHT

REV.	REVISION RECORD	DATE	GENERAL TOLERANCES		SCALE:	NAME	DATE	PART.NO:	DWG.NO:	 WanLian Teconology Co., Ltd
AO	NEW RELEASE	21.10.12	LINEAR	ANGLES	1:1	Wang_jr	21.10.12	WLPCF9-672XX0003	ENDE05	
			0.0±0.35	X°REF±6°	APPROVED	Han_Gao	21.10.12	TITLE:		
			UNIT: mm	0.00±0.25	DESIGNER	Zijun_Huang	21.10.12	包装图		
			SIZE: A4	0.000±0.10	DRAWN					REV: AO SHEET: 2/2