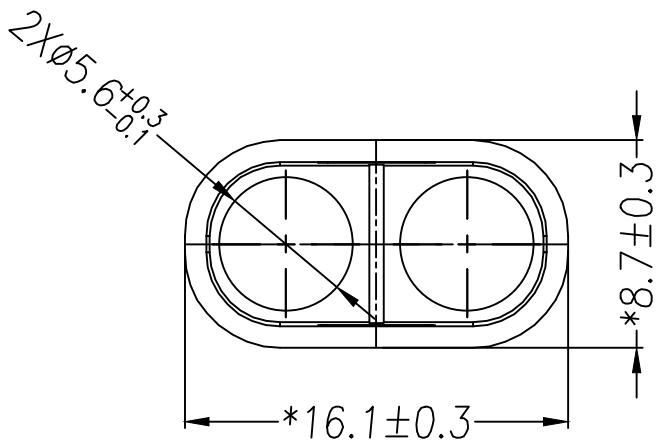
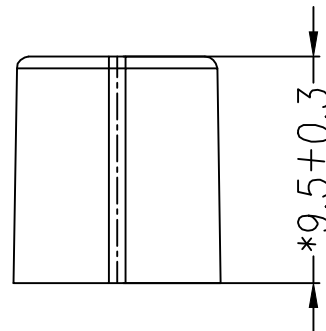
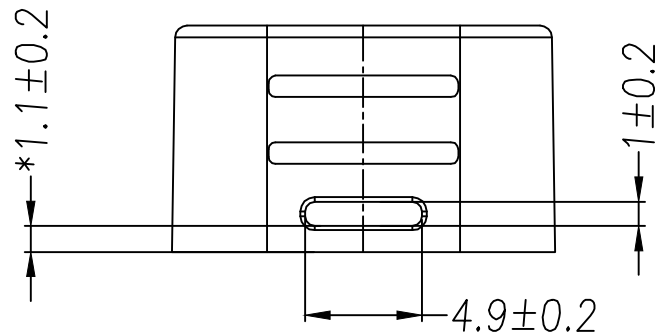


The product using material and processing must conform to the "WI-PZ-001"HSF technical standard control requirements

RoHS



说明:

1. 胶壳表面不可有毛边、缩水、缺料、开裂等不良.
2. 带\*号尺寸为重点管控尺寸.
3. 胶壳适用环境温度:  $-20 \sim +120^{\circ}\text{C}$ ,  
产品阻燃等级: UL94V0
4. 包装方式: 袋装

材料 MATERIAL	PA+GF15 V0	重量 WEIGHT	0.51克	表面颜色 FINISH	黄色
----------------	---------------	--------------	-------	----------------	----

REV.	REVISION RECORD	DATE		GENERAL TOLERANCES		SCALE: 1:1	NAME	DATE	PART.NO: WLPL3535-A	DWG.NO: ENDE05	 WanLian Teconology Co., Ltd
A0	NEW RELEASE	21.12.29		LINEAR	ANGLES	APPROVED	Ximei_Yang	21.12.29			
			UNIT:mm	0.00±0.25	X'±3'	DESIGNER	Han_Gao	21.12.29	TITLE: TX60H线帽黄色	REV: A0	
			SIZE: A4	0.000±0.10	X'X' ±2'	DRAWN	Zhonghao_Che	21.12.29			