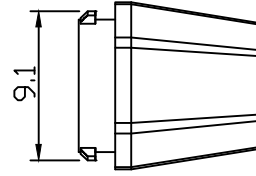
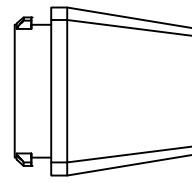
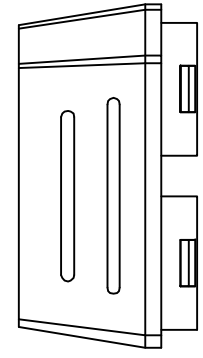
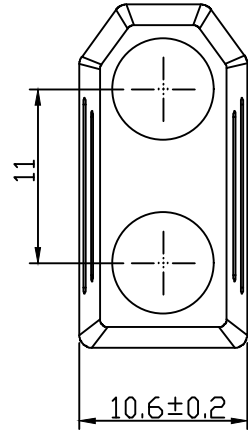
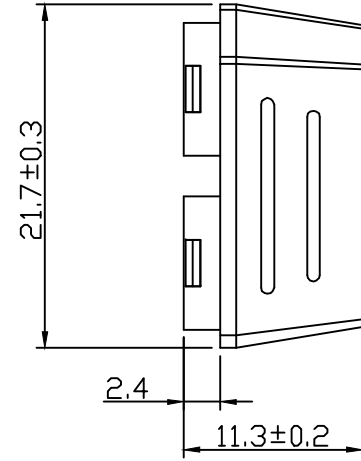
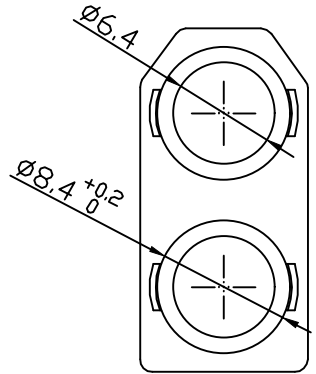


The product using material and processing must conform to the "WI-PZ-001"HSF technical standard control requirements

RoHS



说明：
1.产品符合图面要求,不得有漏加工。
2.包装方式：袋装



材料 MATERIAL	PAVO	包装要求 PACKAGEWAY	500PCS/包	表面颜色 FINISH	金黄
----------------	------	--------------------	----------	----------------	----

REV.	REVISION RECORD	DATE		GENERAL TOLERANCES		SCALE:	NAME	DATE	PART.NO:	DWG.NO:	 WanLian Teconology Co., Ltd
A0	NEW RELEASE	21.12.29		LINEAR	ANGLES	1:1	Ximei_Yang	21.12.29	WLPL4511-B	ENDE05	
			UNIT:mm	0.0±0.35	X°REF±6°	DESIGNER	Han_Gao	21.12.29	TITLE:		REV: A0
			SIZE: A4	0.00±0.25	X'±3'	DRAWN	Zhonghao_Che	21.12.29	TX90U线帽		
				0.00±0.10	X'X' ±2'						