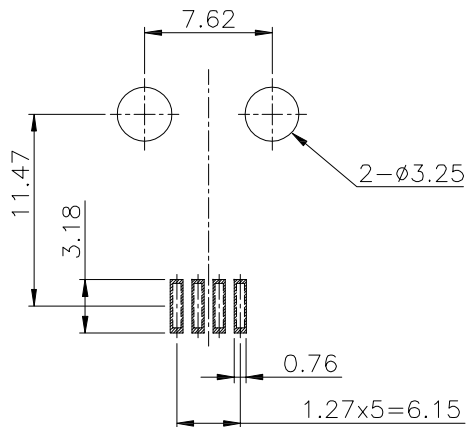
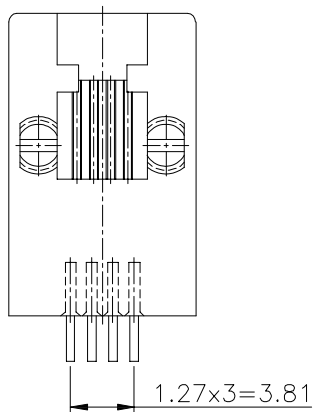
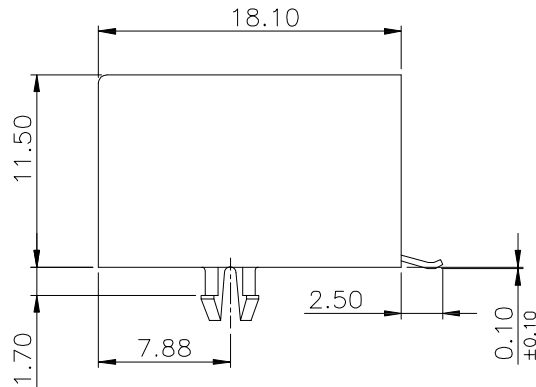
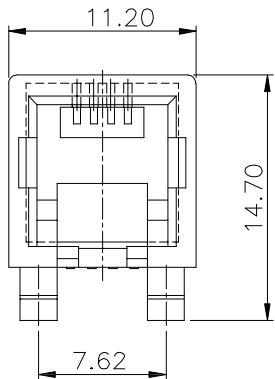


The product using material and processing must conform to the "WL-PZ-001"HSF technical standard control requirements

RoHS



PCB LAYOUT/TOP VIEW

NOTE:

1.MATERIAL SPECIFICATION:

- 1-1.HOUSING: LCP UL94V-0
- 1-2.CONTACT: PHOSPHOR BRONZE ϕ 0.30mm

2.PLATING SPECIFICATION:

G/F PLATING OVER Ni

3.MECHANICAL PERFORMANCE:

- 3-1.INSERTION FORCE: 22N MAX
- 3-2.REMOVAL FORCE: 22N MAX
- 3-2.DURABILITY: 750 CYCLES MIN.

4.ELECTRICAL PERFORMANCE:

- 4-1.CURRENT RATING:1.5A
- 4-2.VOLTAGE RATING:125V MAX
- 4-3.CONTACT RESISTANCE: 30m Ω Max.
- 4-4.INSULATION RESISTANCE: 500M Ω MIN
- 4-5.DIELECTRIC WITHSTANDING VOLTAGE: 500V AC Min

5.ENVIRONMENTAL PERFORMANCE:

OPERATING TEMPERATURE: -40°C~+85°C.

6.PACKAGE SPEC:TRAY

P/N:

WLR1F9-04 2 X X X 054

PLATING:

- 1-G/F
- 2-Au 3u"
- 3-AU 6u"
- 5-Au 15u"
- 6-Au 30u"

HOUSING:

- 1-PBT
- 2-LCP
- 3-PA46

COLOUR:

A-BLACK

REV.	REVISION RECORD	DATE	UNIT:mm	GENERAL TOLERANCES		SCALE: 1:1	NAME	DATE	PART.NO:	DWG.NO:	 WanLian Teconology Co., Ltd
A0	NEW RELEASE	21.01.13		LINEAR	ANGLES	APPROVED	Wang_jr	21.01.13	WLR1F9-042XXX054	ENDE05	
			0.00±0.25	X'±3°	DESIGNER	Han_Gao	21.01.13	TITLE: RJ11 4P4C SMT 1X1 全塑		REV: A0	SHEET: 1/1
			0.00±0.10	X'X' ±2°	DRAWN	Zijun_Huang	21.01.13				