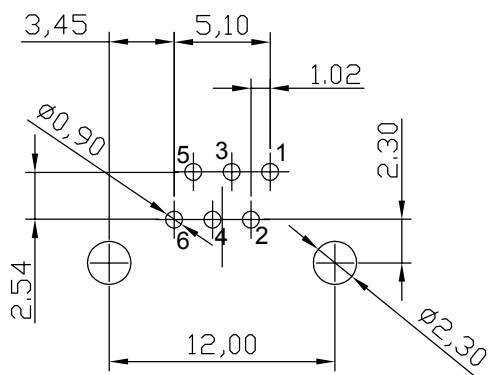
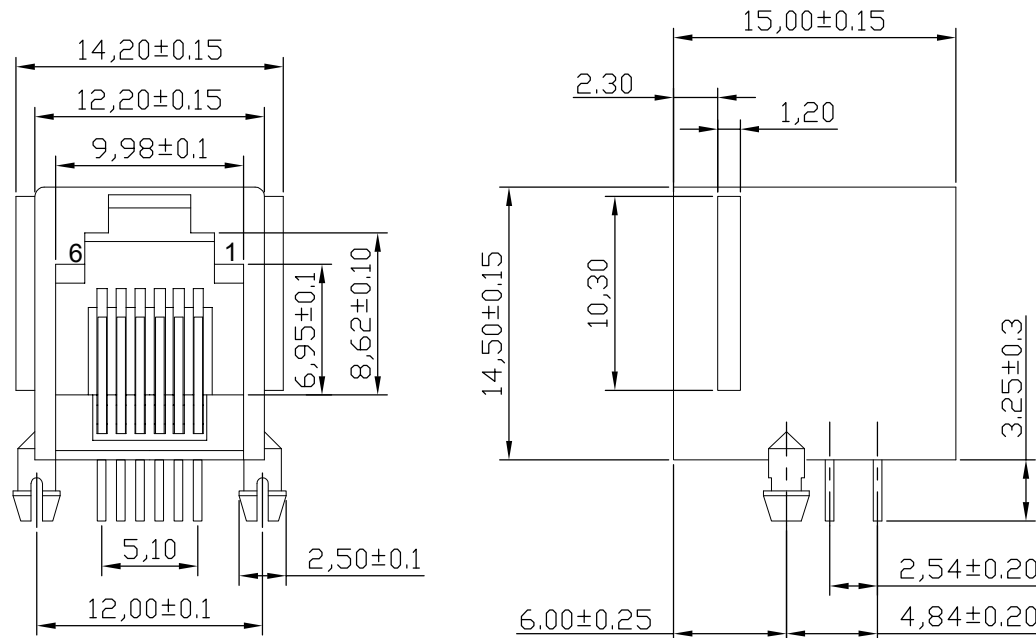
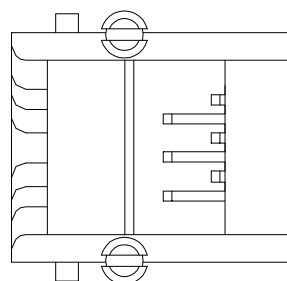


The product using material and processing must conform to the "WL-PZ-001"HSF technical standard control requirements

RoHS



PCBLAYOUT
TOL:±0.05



NOTE:

- 1.MATERIAL SPECIFICATION:
 - 1-1.HOUSING: PA46 UL94V-0
 - 1-2.CONTACT: PHOSPHOR BRONZE $\phi 0.46\text{mm}$
- 2.PLATING SPECIFICATION:
 - G/F PLATING OVER Ni
- 3.MECHANICAL PERFORMANCE:
 - 3-1.INSERTION FORCE: 22N MAX
 - 3-2.REMOVAL FORCE: 22N MAX
 - 3-2.DURABILITY: 750 CYCLES MIN.
- 4.ELECTRICAL PERFORMANCE:
 - 4-1.CURRENT RATING:1.5A
 - 4-2.VOLTAGE RATING:125V MAX
 - 4-3.CONTACT RESISTANCE: 30m Ω Max.
 - 4-4.INSULATION RESISTANCE: 500M Ω MIN
 - 4-5.DIELECTRIC WITHSTANDING VOLTAGE: 500V AC Min
- 5.ENVIRONMENTAL PERFORMANCE:
 - OPERATING TEMPERATURE: $-40^{\circ}\text{C}\sim+85^{\circ}\text{C}$.
- 6.P/N ORDER:

WLR1F9-061 X X X 049

PLATING:

- 1-G/F
- 2-AU 1U"
- 3-AU 5U"
- 5-AU 15U"
- 6-AU 30U"

 HOUSING:

- 1-PBT
- 2-LCP
- 3-PA46

 COLOUR:

- A-BLACK
- J-GRAY

REV.	REVISION RECORD	DATE	UNIT:mm	GENERAL TOLERANCES		SCALE: 1:1	NAME	DATE	PART.NO:	DWG.NO:	 WanLian Teconology Co., Ltd
A0	NEW RELEASE	21.11.13		LINEAR	ANGLES	APPROVED	Wang_jr	21.11.13	WLR1F9-0611A3049	ENDE05	
			0.00±0.25	X°±3°	DESIGNER	Han_Gao	21.11.13	TITLE: RJ11 6P6C DIP 有耳全塑		REV: A1	SHEET: 1/1
			0.00±0.10	X°X'±2°	DRAWN	Ou_jian	21.11.13				