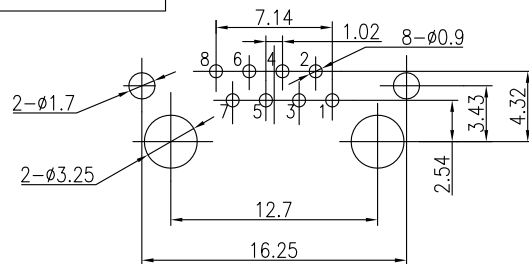
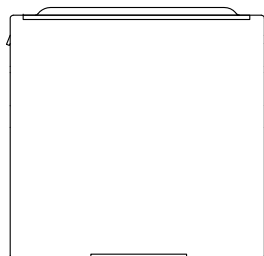
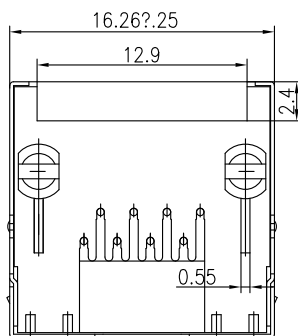
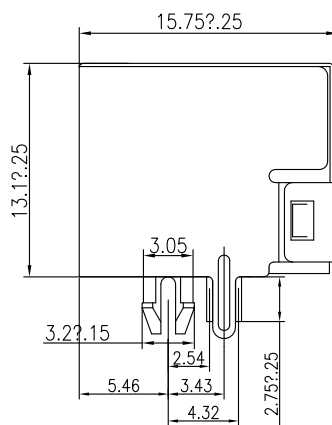
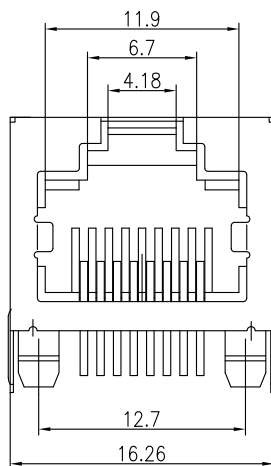


The product using material and processing must conform to the "WI-PZ-001"HSF technical standard control requirements

RoHS



PC Board Layout



NOTES:

ELECTRICAL:

1. VOLTAGE RATING: 125 VAC RMS.
2. CURRENT RATING: 1.5 AMP.
3. CONTACT RESISTANCE : 30 MILLIOHMS MAX.
4. INSULATION RESISTANCE: 500 MEGOHMS MIN @ 500 VDC.
5. DIELECTRIC STRENGTH: 1000 VAC RMS 50Hz or 60Hz,1MIN.

MECHANICAL:

1. HOUSING & INSERT MATERIAL PBT UL94V-0.
2. CONTACT MATERIAL: DIAMETER 0.45MM PHOSPHOR BRONZE GOLD PLATING OVER NICKEL.
3. SHIELD: 0.20~0.25MM THICKNESS BRASS WITH NICKEL PLATED.
4. MATING/UNMATING FORCE: 2.2KG.F MAX.
5. RETENTION STRENGTH : 7.7KG.F MIN BETWEEN JACK AND PLUG.
6. OPERATING LIFE: 600 CYCLES MIN.

ENVIRONMENTAL:

1. STORAGE: -10°C ~+40°C RELATIVE HUMIDITY<70%.
2. OPERATION: -40°C~+70°C.

PART.NO.:

WLR4F9-08 1 X X 0005

PLATING: 1-G/F  
2-AU 3U\*  
5-AU 15U\*  
6-AU 30U\*

COLOUR: A:BLACK

REV.	REVISION RECORD	DATE		GENERAL TOLERANCES		SCALE: 1:1	NAME	DATE	PART. NO:	DWG. NO:	 WanLian Teconology Co., Ltd
A0	NEW RELEASE	21.01.13		LINEAR	ANGLES	APPROVED	Wang_jr	21.01.13	WLR4F9-081XX0005	ENDE05	
			0.0±0.35	X° REF±6°	DESIGNER	Ding_bo	21.01.13	TITLE:			
			UNIT: mm	0.00±0.25	X° ±3°	DRAWN	Ou_jian	21.01.13	RJ45, Unshielded, Receptacle, Horizontal, Single Port, Tht		
			SIZE: A4	0.000±0.10	X° X'±2°				REV: A0	SHEET: 1/1	