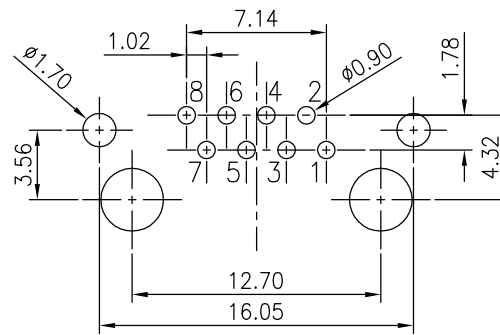
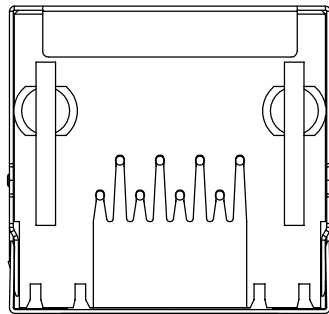
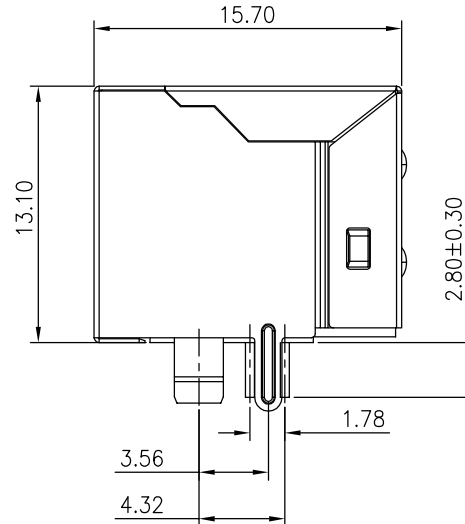
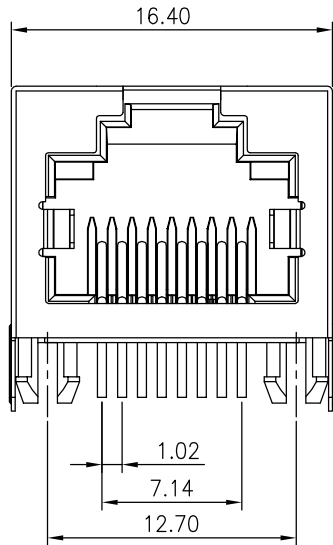


The product using material and processing must conform to the "WL-PZ-001"HSF technical standard control requirements

RoHS



PCBLAYOUT
TOL:±0.05

NOTE:

1.MATERIAL SPECIFICATION:

- 1-1.HOUSING:PBT UL94V-0. BLACK
- 1-2.CONTACTS:PHOSPHOR BRONZE $\phi 0.46\text{mm}$.
- 1-3.SHIELD: 0.20mm THICKNESS COPPER ALLOY

2.PLATING SPECIFICATION:

- 2-1.CONTACTS:
AU PLATING OVER Ni 50u"
- 2-2. SHIELD:
Ni 30u" MIN. UNDER PLATED OVER ALL.

3.MECHANICAL PERFORMANCE:

- 3-1.MATING/UNMATING FORC : 2.24 KG.F MAX.
- 3-2.DURABILITY: 750 CYCLES MIN.

4.ELECTRICAL PERFORMANCE:

- 4-1.CURRENT RATING:1.5A
- 4-2.VOLTAGE RATING:125V MAX
- 4-3.CONTACT RESISTANCE: 40m Ω Max.
- 4-4.INSULATION RESISTANCE: 500M Ω MIN
- 4-5.DIELECTRIC WITHSTANDING VOLTAGE: 500V AC Min

5.ENVIRONMENTAL PERFORMANCE:

OPERATING TEMPERATURE: -40°C~+85°C.

6.PACKAGE SPEC:TRAY

P/N:

WLR4F9-08 1 X X X 051

PLATING:


- 1-G/F
- 2-Au 3u"
- 3-Au 6u"
- 5-Au 15u"
- 6-Au 30u"

HOUSING:

- 1-PBT
- 2-PA46
- 3-PA9T
- 4-LCP

COLOUR:

- A-BLACK
- E-YELLOW

REV.	REVISION RECORD	DATE	UNIT:mm	GENERAL TOLERANCES		SCALE: 1:1	NAME	DATE	PART.NO:	DWG.NO:	 WanLian Teconology Co., Ltd
A0	NEW RELEASE	21.01.13		LINEAR	ANGLES	APPROVED	Wang_jr	21.01.13	WLR4F9-081XXX051	ENDE05	
			SIZE: A4	0.00±0.25	X'±3°	DESIGNER	Wang_jr	21.01.13	TITLE: RJ45 8P8C DIP		REV: A0
				0.00±0.10	X'X' ±2°	DRAWN	Wang_jr	21.01.13			SHEET: 1/1