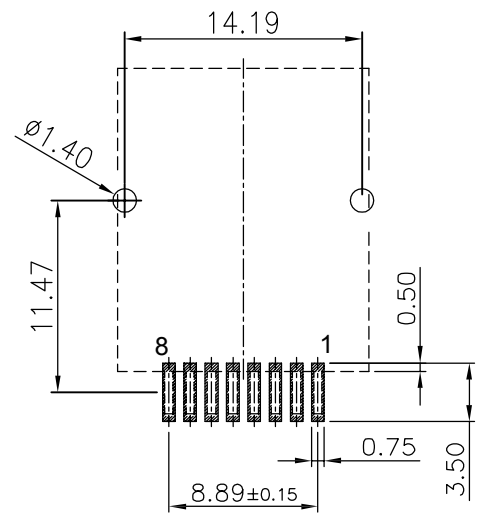
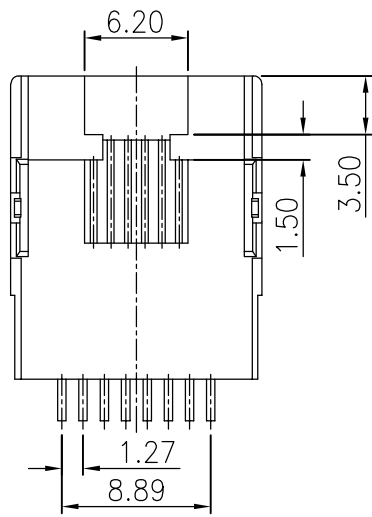
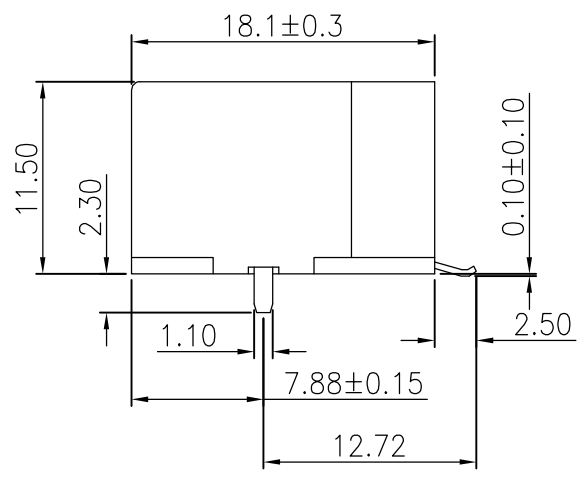
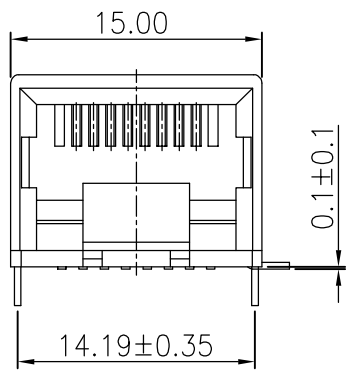


The product using material and processing must conform to the "WL-PZ-001"HSF technical standard control requirements

RoHS



NOTE:  
 1.MATERIAL SPECIFICATION:  
 1-1.HOUSING: LCP UL94V-0  
 1-2.CONTACT: PHOSPHOR BRONZE  $\phi$ 0.30mm  
 2.PLATING SPECIFICATION:  
 G/F PLATING OVER Ni  
 3.MECHANICAL PERFORMANCE:  
 3-1.INSERTION FORCE: 22N MAX  
 3-2.REMOVAL FORCE: 22N MAX  
 3-2.DURABILITY: 750 CYCLES MIN.  
 4.ELECTRICAL PERFORMANCE:  
 4-1.CURRENT RATING:1.5A  
 4-2.VOLTAGE RATING:125V MAX  
 4-3.CONTACT RESISTANCE: 30m $\Omega$  Max.  
 4-4.INSULATION RESISTANCE: 500M $\Omega$  MIN  
 4-5.DIELECTRIC WITHSTANDING VOLTAGE: 500V AC Min  
 5.ENVIRONMENTAL PERFORMANCE:  
 OPERATING TEMPERATURE: -40°C~+85°C.  
 6.PACKAGE SPEC:TRAY

P/N:  
 WLR4F9-08 2 X X X 053

PLATING: 1-G/F  
 2-Au 3u"  
 3-AU 6u"  
 5-Au 15u"  
 6-Au 30u"

HOUSING:  
 1-PBT  
 2-LCP  
 3-PA46

COLOUR:  
 A-BLACK

|      |                 |          |          |                    |          |               |             |          |  |                   |                                 |            |
|------|-----------------|----------|----------|--------------------|----------|---------------|-------------|----------|--|-------------------|---------------------------------|------------|
| REV. | REVISION RECORD | DATE     |          | GENERAL TOLERANCES |          | SCALE:<br>1:1 | NAME        | DATE     | PART.NO:<br>WLR4F9-082XXX053             | DWG.NO:<br>ENDE05 | <br>WanLian Teconology Co., Ltd |            |
| A0   | NEW RELEASE     | 21.01.13 |          | LINEAR             | ANGLES   | APPROVED      | Wang_jr     | 21.01.13 |  |                   |                                 |            |
|      |                 |          | UNIT:mm  | 0.00±0.25          | X'±3°    | DESIGNER      | Han_Gao     | 21.01.13 | TITLE:<br>RJ45 10P8C SMT 1X1 全塑 L=18.1mm |                   | REV: A0                         | SHEET: 1/1 |
|      |                 |          | SIZE: A4 | 0.000±0.10         | X'X' ±2° | DRAWN         | Zijun_Huang | 21.01.13 |  |                   |                                 |            |