

The product using material and processing must conform to the "WI-PZ-142"HSF technical standard control requirements

SPECIFICATION NOTES:

ELECTRICAL:

1. VOLTAGE RATING: 125 VAC RMS
2. CURRENT RATING: 1.5 AMP
3. CONTACT RESISTANCE: 50mΩ MAX.
4. INSULATION RESISTANCE: 500MΩ MIN. AT500V AC.

MECHANICAL:

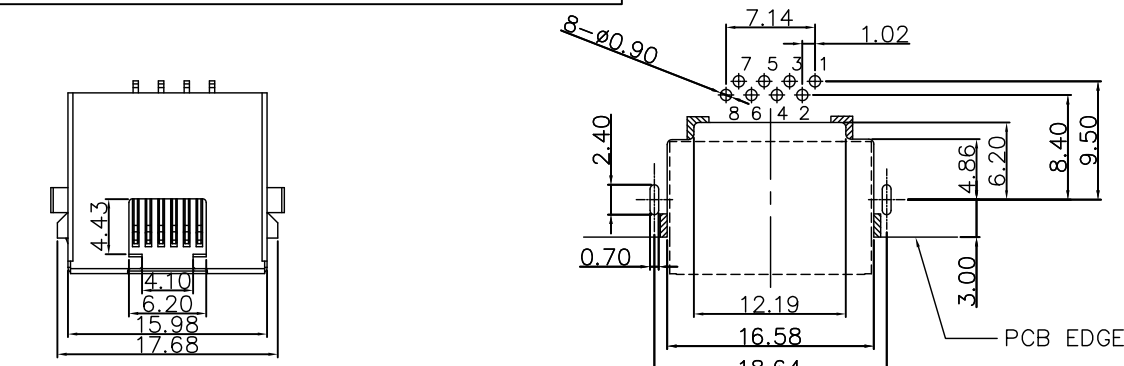
1. HOUSING: LCP WHITE, UL 94V-0
2. CONTACT: PHOSPHOR BRONZE C5191 T=0.25MM
3. PLATING: GOLD PLATING AT CONTACT AREA, MATTE TIN AT TAIL 100U MIN., NICKEL 30U MIN, OVER ALL.
4. SHELL: SUS304 T=0.20 Fork: SUS304 NICKEL 30U MIN, OVER ALL
5. OPERATING LIFE: 1000 CYCLES MIN. TEST BEFORE AND AFTER THE CHANGE 20N MAX
6. MATING/UNMATING FORCE: 30N/3.06KGf MAX.
7. RETENTION STRENGTH: 50N OR 30N MIN. FOR 60S±5S

ENVIRONMENTAL:

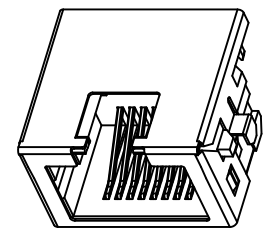
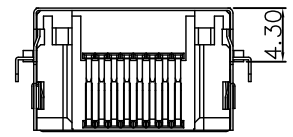
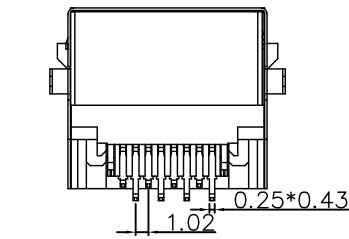
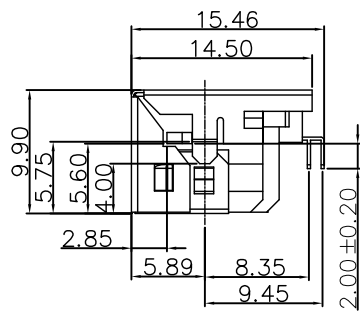
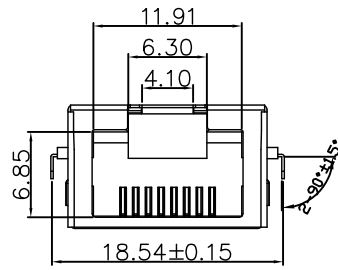
1. STORAGE: -40° C TO +85° C RELATIVE HUMIDITY<80%
 2. GUARANTEE PERIOD: 12 MONTHS
 3. OPERATION: -40° C TO +85° C
 4. IR TEMPERATURE: 260±5° C 5~10 SECONDS.
 5. Salt Spary test 24h Pass
- Environmental protection: ROHS 2.0+HF

WLR4F9-08 8 X X 01-045

PLATING:
 1-G/F
 2-AU 3U"
 5-AU 15U"
 6-AU 30U"
 Colour:
 A:Black



W/LED RECOMMENDED PCB LAYOUT
 COMPONENT SIDE(t=1.6mm, tol:±0.05)



REV.	REVISION RECORD	DATE		GENERAL TOLERANCES		SCALE: 1:1	NAME	DATE	PART. NO: WLR4F9-088XX01-045	DWG. NO: ENDE05	 WanLian Teconology Co., Ltd
A0	NEW RELEASE	21.01.13		LINEAR	ANGLES	APPROVED	Wang_jr	21.01.13			
			0.0±0.35	X° REF±6°	DESIGNER	Ding_bo	21.01.13	TITLE: RJ45 8PIN沉板式			
			0.00±0.25	X° ±3°	DRAWN	Ou_jian	21.01.13	REV: A0	SHEET: 1/1		
			UNIT: mm	0.00±0.25	X° ±3°						
			SIZE: A4	0.000±0.10	X° X'±2°						