

The product using material and processing must conform to the "WL-PZ-001"HSF technical standard control requirements



PIN序	1	2	3	4	5	6	7	8
说明	TX+	TX-	RX+	—	—	RX-	—	—

NOTE:

1.MATERIAL SPECIFICATION:

1-1.HOUSING: LCP UL94V-0

1-2.SHELL: BRASS T=0.20±0.02MM

1-3.CONTACT: PHOSPHOR BRONZE T=0.30M±0.02MM

2.PLATING SPECIFICATION:

G/F PLATING OVER NI

100u"SN PLATED ON SOLDER TALL AREA

50u"NI UNDER PLATED OVER ALL

2-1.SHELL:

Ni 30U" MIN PLATING OVER ALL

3.MECHANICAL PERFORMANCE:

3-1.INSERTION FORCE: 22N MAX

3-2.REMOVAL FORCE: 22N MAX

3-2.DURABILITY: 750 CYCLES MIN.

4.ELECTRICAL PERFORMANCE:

4-1.CURRENT RATING:1.5A

4-2.VOLTAGE RATING:125V MAX

4-3.CONTACT RESISTANCE: 40mΩ Max.

4-4.INSULATION RESISTANCE: 500MΩ MIN

4-5.DIELECTRIC WITHSTANDING VOLTAGE: 500V AC Min

5.ENVIRONMENTAL PERFORMANCE:

OPERATING TEMPERATURE: -40°C~+85°C.

6.PACKAGE SPEC:TRAY

P/N:

WLR4F9-08 8 X X X 020

PLATING:

1-G/F

2-Au 3u"

3-Au 6u"

5-Au 15u"

6-Au 30u"

HOUSING:

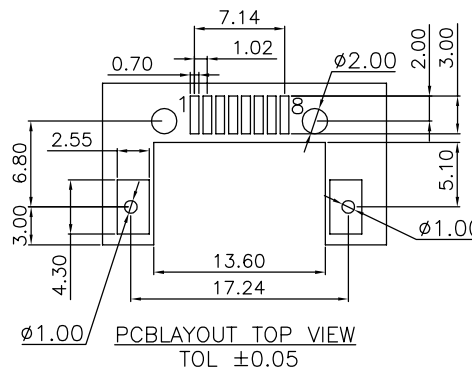
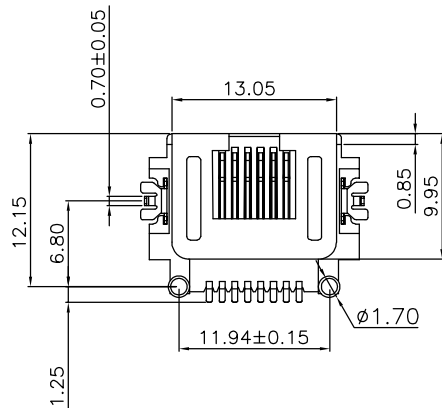
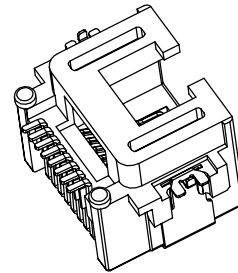
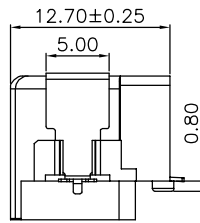
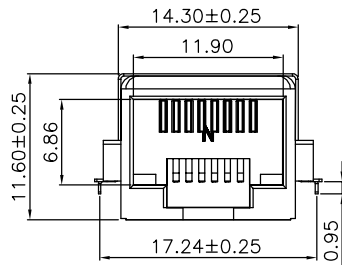
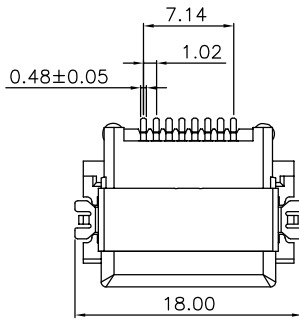
1-PBT

2-LCP

3-PA9T

COLOUR:

A-BLACK



REV.	REVISION RECORD	DATE		GENERAL TOLERANCES		SCALE: 1:1	NAME	DATE	PART.NO:	DWG.NO:	
A0	NEW RELEASE	21.01.13		LINEAR	ANGLES	APPROVED	Wang_jr	21.01.13	WLR4F9-088XXX020	ENDE05	
			UNIT:mm	0.00±0.25	X'±3'	DESIGNER	Han_Gao	21.01.13	TITLE:		REV: A0
			SIZE: A4	0.000±0.10	X'X' ±2'	DRAWN	Zijun_Huang	21.01.13	RJ45 8P8C SMT沉板式8.6MM		