

The product using material and processing must conform to the "WL-PZ-001"HSF technical standard control requirements

RoHS

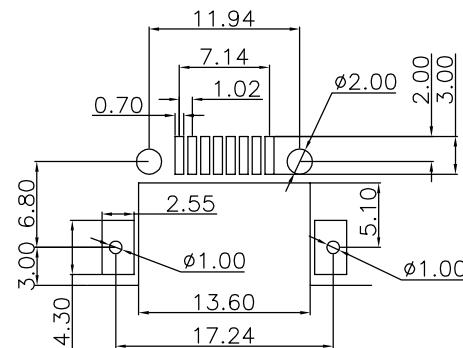
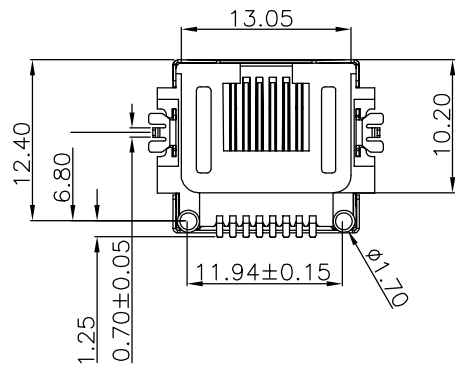
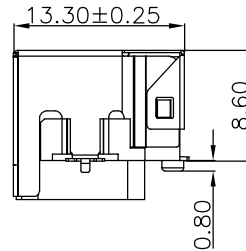
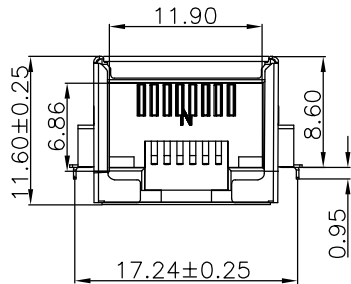
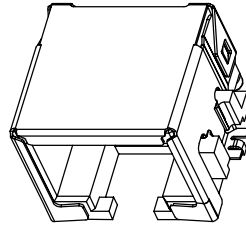
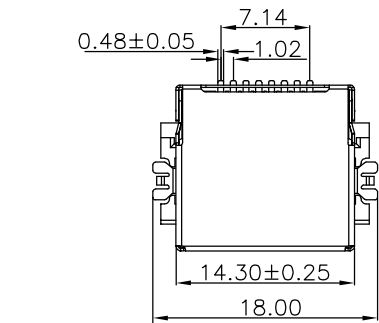
NOTE:

- 1.MATERIAL SPECIFICATION:
 - 1-1.HOUSING: LCP UL94V-0
 - 1-2.SHELL: BRASS T=0.20±0.02MM
 - 1-3.CONTACT: PHOSPHOR BRONZE T=0.30±0.02MM
- 2.PLATING SPECIFICATION:
 - G/F PLATING OVER NI
 - 100u"SN PLATED ON SOLDER TALL AREA
 - 50u"NI UNDER PLATED OVER ALL
 - 2-1.SHELL:
 - Ni 30U" MIN PLATING OVER ALL
- 3.MECHANICAL PERFORMANCE:
 - 3-1.INSERTION FORCE: 22N MAX
 - 3-2.REMOVAL FORCE: 22N MAX
 - 3-2.DURABILITY: 750 CYCLES MIN.
- 4.ELECTRICAL PERFORMANCE:
 - 4-1.CURRENT RATING:1.5A
 - 4-2.VOLTAGE RATING:125V MAX
 - 4-3.CONTACT RESISTANCE: 40mΩ Max.
 - 4-4.INSULATION RESISTANCE: 500MΩ MIN
 - 4-5.DIELECTRIC WITHSTANDING VOLTAGE: 500V AC Min
- 5.ENVIRONMENTAL PERFORMANCE:
 - OPERATING TEMPERATURE: -40°C~+85°C.
- 6.PACKAGE SPEC:TRAY

P/N:

WLR4F9-08 8 X X X 021

PLATING:	HOUSING:
1-G/F	1-PBT
2-Au 3u"	2-LCP
3-Au 6u"	3-PA9T
5-Au 15u"	COLOUR:
6-Au 30u"	A-BLACK



PCBLAYOUT TOP VIEW

TOL ±0.05

REV.	REVISION RECORD	DATE		GENERAL TOLERANCES		SCALE: 1:1	NAME	DATE	PART.NO:	DWG.NO:	
A0	NEW RELEASE	21.01.13		LINEAR	ANGLES	APPROVED	Wang_jr	21.01.13	WLR4F9-088XXX021	ENDE05	
			UNIT:mm	0.00±0.25	X'±3'	DESIGNER	Han_Gao	21.01.13	TITLE:		REV: A0 SHEET: 1/1
			SIZE: A4	0.000±0.10	X'X' ±2'	DRAWN	Zijun_Huang	21.01.13	RJ45 8P8C SMT沉板式8.6MM		

WanLian Teconology Co., Ltd