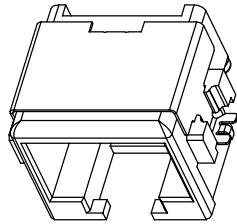
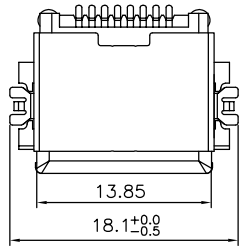


The product using material and processing must conform to the "WL-PZ-001"HSF technical standard control requirements

RoHS



8	/
7	/
6	RX-
5	/
4	/
3	RX+
2	TX-
1	TX+
PIN序 说明	

NOTE:

- MATERIAL SPECIFICATION:
 - 1-1.HOUSING: LCP UL94V-0
 - 1-2.SHELL: 0.20mm THICKNESS COPPER ALLOY
 - 1-3.CONTACT: PHOSPHOR BRONZE T=0.30MM
- PLATING SPECIFICATION:
 - G/F PLATING OVER NI
 - 100u"SN PLATED ON SOLDER TALL AREA
 - 50u"NI UNDER PLATED OVER ALL
 - 2-1.SHELL: Ni 30U" MIN PLATING OVER ALL
- MECHANICAL PERFORMANCE:
 - 3-1.INSERTION FORCE: 22N MAX
 - 3-2.REMOVAL FORCE: 22N MAX
 - 3-2.DURABILITY: 750 CYCLES MIN.
- ELECTRICAL PERFORMANCE:
 - 4-1.CURRENT RATING:1.5A
 - 4-2.VOLTAGE RATING:125V MAX
 - 4-3.CONTACT RESISTANCE: 40mΩ Max.
 - 4-4.INSULATION RESISTANCE: 500MΩ MIN
 - 4-5.DIELECTRIC WITHSTANDING VOLTAGE: 500V AC Min
- ENVIRONMENTAL PERFORMANCE:
 - OPERATING TEMPERATURE: -40°C~+85°C.
- PACKAGE SPEC:TRAY

P/N:

WLR4F9-08 8 X X X 022

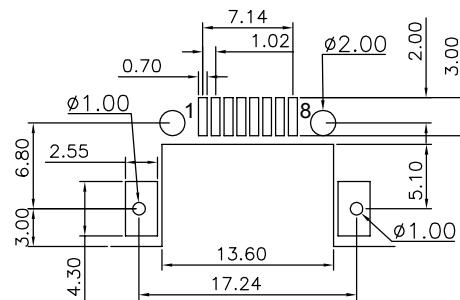
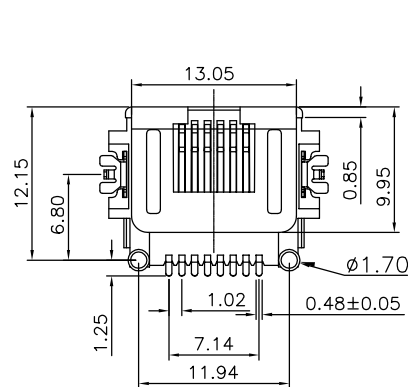
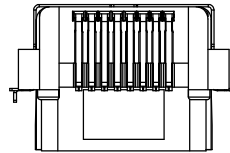
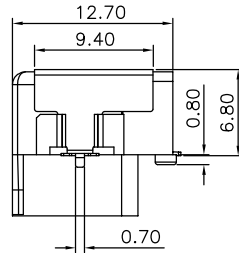
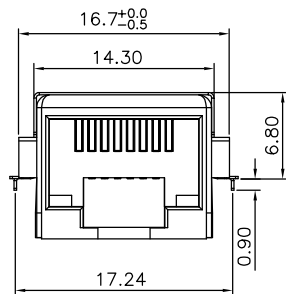
PLATING:

- 1-G/F
- 2-Au 3u"
- 3-Au 6u"
- 5-Au 15u"
- 6-Au 30u"

HOUSING:

- 1-PBT
- 2-LCP
- 3-PA9T

COLOUR:
A-BLACK



PCBLAYOUT TOP VIEW
TOL ±0.05

REV.	REVISION RECORD	DATE		GENERAL TOLERANCES		SCALE: 1:1	NAME	DATE	PART.NO:	DWG.NO:	
A0	NEW RELEASE	21.01.13		LINEAR	ANGLES	APPROVED	Wang_jr	21.01.13	WLR4F9-088XXX022	ENDE05	
			UNIT:mm	0.00±0.25	X'±3'	DESIGNER	Han_Gao	21.01.13	TITLE:		REV: A0 SHEET: 1/1
			SIZE: A4	0.000±0.10	X*X' ±2'	DRAWN	Zijun_Huang	21.01.13	RJ45 8P8C SMT沉板式6.8MM		