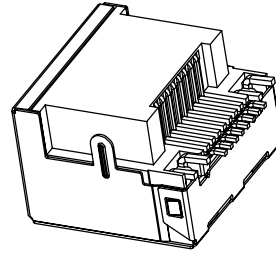
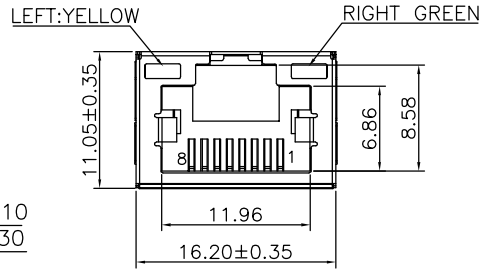
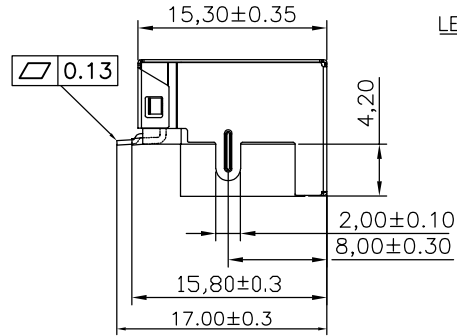
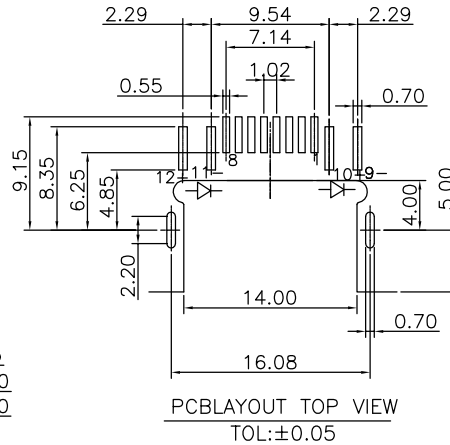
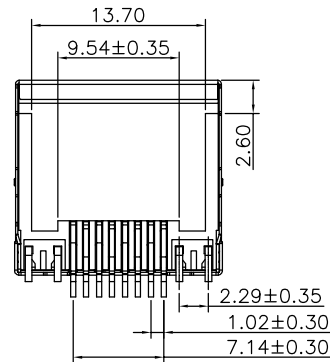
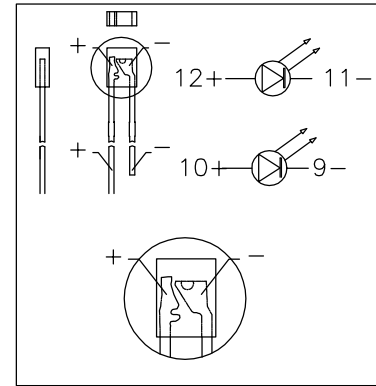


The product using material and processing must conform to the "WL-PZ-001"HSF technical standard control requirements

RoHS



| | |
|---------|-----|
| 8 | — |
| 7 | — |
| 6 | RX- |
| 5 | — |
| 4 | — |
| 3 | RX+ |
| 2 | TX- |
| 1 | TX+ |
| PIN序 说明 | |



NOTE:

- MATERIAL SPECIFICATION:
 - HOUSING: LCP UL94V-0
 - SHELL: 0.20mm THICKNESS COPPER ALLOY
 - CONTACT: COPPER ALLOY T=0.35MM
 - LED: SPCC T=0.50MM
- PLATING SPECIFICATION:
 - G/F PLATING OVER NI
 - 100u"SN PLATED ON SOLDER TALL AREA
 - 50u"NI UNDER PLATED OVER ALL
 - 2-1.SHELL: Ni 30U" MIN PLATING OVER ALL
 - 2-2.LED: TIN PLATED OVER ALL
- MECHANICAL PERFORMANCE:
 - INSERTION FORCE: 22N MAX
 - REMOVAL FORCE: 22N MAX
 - DURABILITY: 750 CYCLES MIN.
- ELECTRICAL PERFORMANCE:
 - CURRENT RATING:1.5A
 - VOLTAGE RATING:125V MAX
 - CONTACT RESISTANCE: 40mΩ Max.
 - INSULATION RESISTANCE: 500MΩ Min
 - DIELECTRIC WITHSTANDING VOLTAGE: 500V AC Min
- ENVIRONMENTAL PERFORMANCE:
 - OPERATING TEMPERATURE: -40°C~+85°C.
- PACKAGE SPEC:TRAY

P/N:

WLR4F9-08 8 X X X 025

PLATING:
 1-G/F
 2-Au 3u"
 3-Au 6u"
 5-Au 15u"
 6-Au 30u"

LED:
 1-LEFT:YELLOW
 RIGHT:GREEN
 2-LEFT:GREEN
 RIGHT:YELLOW
 COLOUR:
 A-BLACK

| REV. | REVISION RECORD | DATE | UNIT:mm | GENERAL TOLERANCES | | SCALE: 1:1 | NAME | DATE | PART.NO: | DWG.NO: |  WanLian Teconology Co., Ltd |
|------|-----------------|----------|---------|--------------------|----------|---------------|-------------|----------|---|------------------|--|
| A0 | NEW RELEASE | 21.01.13 | | SIZE: A4 | LINEAR | ANGLES | APPROVED | Wang_jr | 21.01.13 | WLR4F9-088XXX025 | |
| | | | | 0.00±0.25 | X'±3' | DESIGNER | Han_Gao | 21.01.13 | TITLE: RJ45 8P8C SMT沉板式4.2MM 带灯 (左黄右绿) | | REV: A0 |
| | | | | 0.000±0.10 | X*X' ±2' | DRAWN | Zijun_Huang | 21.01.13 | | | SHEET: 1/1 |