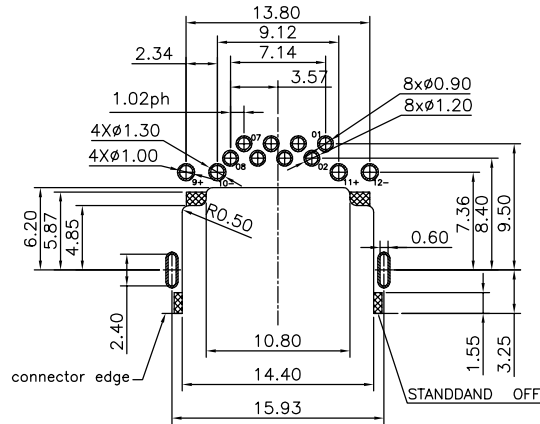
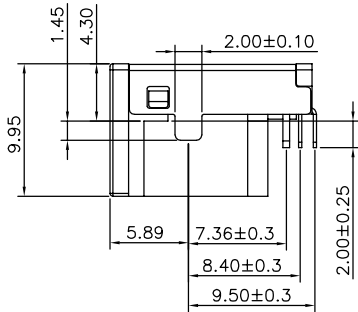
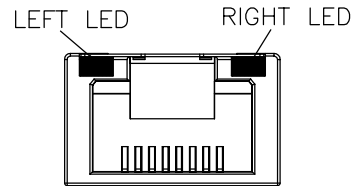
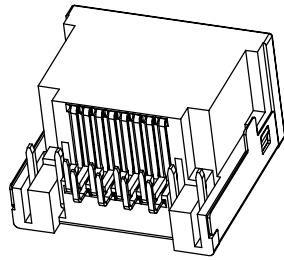
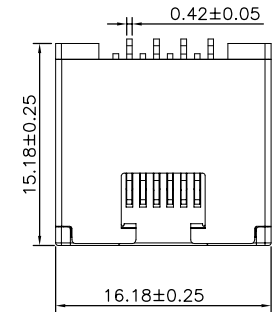
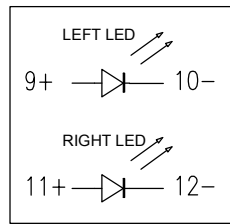
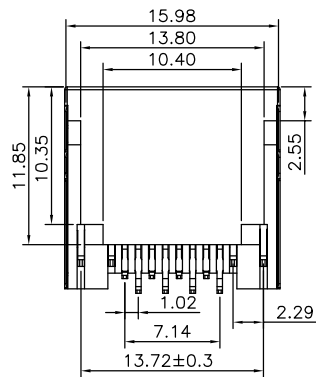


The product using material and processing must conform to the "WL-PZ-001"HSF technical standard control requirements

RoHS



RECOMMENDED PCB LAYOUT (component side)(TOP VIEW)
 DEFAULT TOLERANCES:±0.05/PCB THICKNESS:1.0MM
 ■ NO PATIERN AREA



NOTE:

- 1.MATERIAL SPECIFICATION:
 - 1-1.HOUSING: LCP UL94V-0
 - 1-2.SHELL: SUS 0.20mm
 - 1-3.CONTACT: PHOSPHOR BRONZE T=0.25MM
- 2.PLATING SPECIFICATION:
 - GOLD PLATING ON CONTACT AREA
 - 100u"SN PLATED ON SOLDER TALL AREA
 - 50u"NI UNDER PLATED OVER ALL
 - 2-1.SHELL: Ni 30u" MIN PLATING OVER ALL
- 3.MECHANICAL PERFORMANCE:
 - 3-1.INSERTION FORCE: 22N MAX
 - 3-2.REMOVAL FORCE: 22N MAX
 - 3-2.DURABILITY: 750 CYCLES MIN.
- 4.ELECTRICAL PERFORMANCE:
 - 4-1.CURRENT RATING:1.5A
 - 4-2.VOLTAGE RATING:125V MAX
 - 4-3.CONTACT RESISTANCE: 40mΩ Max.
 - 4-4.INSULATION RESISTANCE: 500MΩ MIN
 - 4-5.DIELECTRIC WITHSTANDING VOLTAGE: 500V AC Min
- 5.ENVIRONMENTAL PERFORMANCE:
 - OPERATING TEMPERATURE: -40°C~+85°C.
- 6.PACKAGE SPEC:TRAY

P/N:

WLR4F9-08 8 X X X 026

PLATING:

- 1-G/F
- 2-Au 3u"
- 3-Au 6u"
- 5-Au 15u"
- 6-Au 30u"

COLOUR:
A-BLACK

LED:

- 1-LEFT:YELLOW
- RIGHT:GREEN
- 2-LEFT:GREEN
- RIGHT:YELLOW
- 3-LEFT:AMBER
- RIGHT:GREEN
- 4-LEFT:GREEN
- RIGHT:AMBER

REV.	REVISION RECORD	DATE	UNIT:mm	GENERAL TOLERANCES		SCALE: 1:1	NAME	DATE	PART.NO:	DWG.NO:	 WanLian Teconology Co., Ltd
A0	NEW RELEASE	21.01.13		LINEAR	ANGLES	APPROVED	Wang_jr	21.01.13	WLR4F9-088XXX026	ENDE05	
			0.00±0.25	X'±3'	DESIGNER	Han_Gao	21.01.13	TITLE: RJ45 8P8C DIP沉板式hH=4.3mm 带灯		REV: A0	SHEET: 1/1
			0.00±0.10	X'X' ±2'	DRAWN	Zijun_Huang	21.01.13				