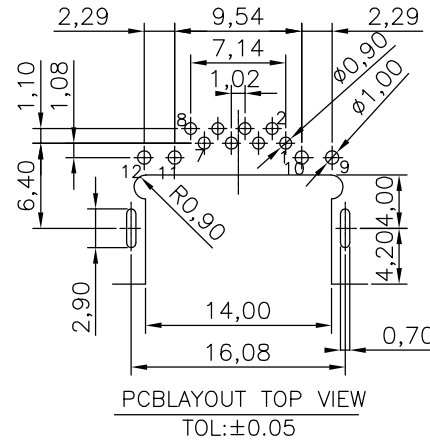
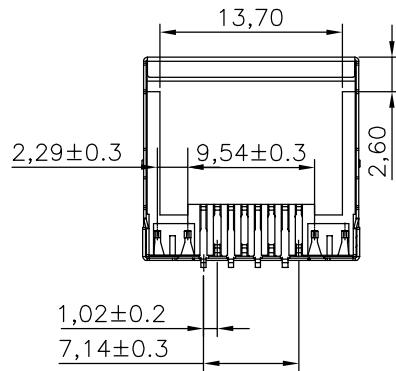
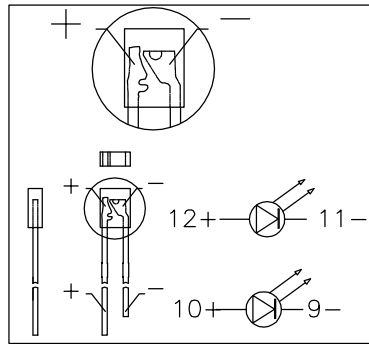
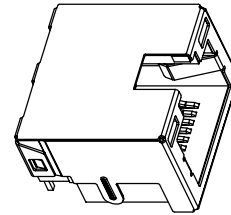
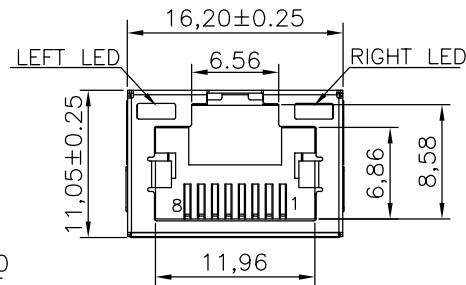
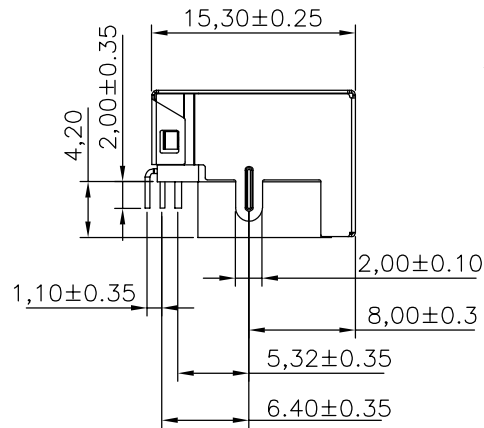


The product using material and processing must conform to the "WL-PZ-001"HSF technical standard control requirements

RoHS



NOTE:

- 1.MATERIAL SPECIFICATION:
 - 1-1.HOUSING: LCP UL94V-0
 - 1-2.SHELL: 0.20mm COPPER ALLOY
 - 1-3.CONTACT: COPPER ALLOY T=0.30MM
- 2.PLATING SPECIFICATION:
 - G/F PLATING OVER NI
 - 100u"SN PLATED ON SOLDER TALL AREA
 - 50u"NI UNDER PLATED OVER ALL
 - 2-1.SHELL: Ni 30U" MIN PLATING OVER ALL
- 3.MECHANICAL PERFORMANCE:
 - 3-1.INSERTION FORCE: 22N MAX
 - 3-2.REMOVAL FORCE: 22N MAX
 - 3-2.DURABILITY: 750 CYCLES MIN.
- 4.ELECTRICAL PERFORMANCE:
 - 4-1.CURRENT RATING:1.5A
 - 4-2.VOLTAGE RATING:125V MAX
 - 4-3.CONTACT RESISTANCE: 40mΩ Max.
 - 4-4.INSULATION RESISTANCE: 500MΩ MIN
 - 4-5.DIELECTRIC WITHSTANDING VOLTAGE: 500V AC Min
- 5.ENVIRONMENTAL PERFORMANCE:
 - OPERATING TEMPERATURE: -40°C~+85°C.
- 6.PACKAGE SPEC:TRAY

P/N:
WLR4F9-08 8 X X X 030

PLATING:

- 1-G/F
- 2-Au 3u"
- 3-Au 6u"
- 5-Au 15u"
- 6-Au 30u"

COLOUR:
A-BLACK

LED:

- 1-LEFT:YELLOW
- RIGHT:GREEN
- 2-LEFT:GREEN
- RIGHT:YELLOW
- 3-LEFT:ORANGE
- RIGHT:GREEN
- 4-LEFT:GREEN
- RIGHT:ORANGE

REV.	REVISION RECORD	DATE	UNIT:mm	GENERAL TOLERANCES		SCALE: 1:1	NAME	DATE	PART.NO:	DWG.NO:	 WanLian Teconology Co., Ltd
A0	NEW RELEASE	21.01.13		SIZE: A4	LINEAR 0.0±0.35	ANGLES X°REF±6°	APPROVED	Wang_jr	21.01.13	WLR4F9-088XXX030	
				0.00±0.25	X°±3°	DESIGNER	Han_Gao	21.01.13	TITLE: RJ45 8P8C DIP沉板式4.2MM		REV: A0
				0.000±0.10	X°X'±2°	DRAWN	Zijun_Huang	21.01.13			SHEET: 1/1