

The product using material and processing must conform to the "WL-PZ-001"HSF technical standard control requirements

RoHS

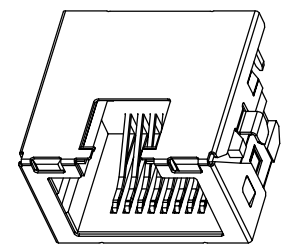
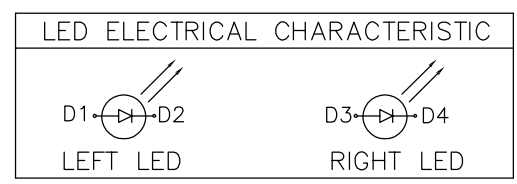
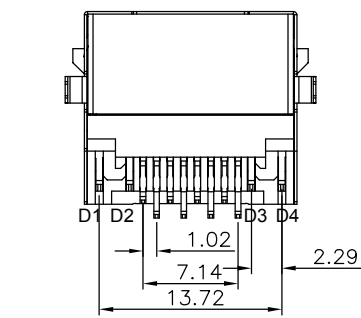
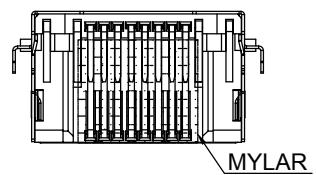
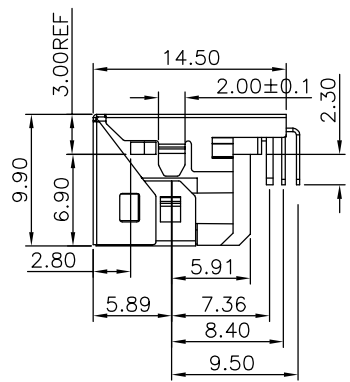
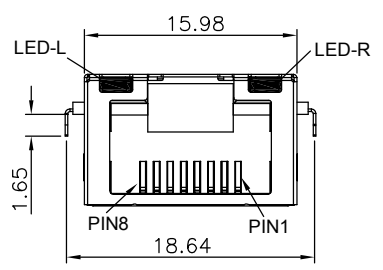
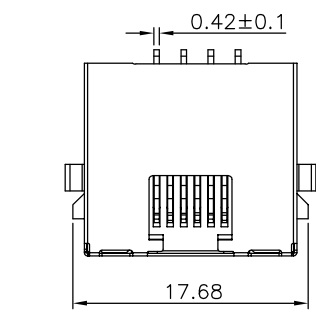
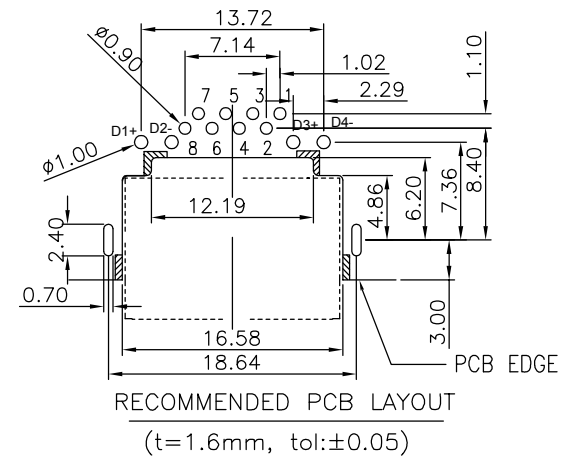
- NOTE:
- MATERIAL SPECIFICATION:
 - 1-1.HOUSING: LCP UL94V-0
 - 1-2.SHELL: SUS T=0.20mm
 - 1-3.CONTACT: COPPER ALLOY T=0.25MM
 - 1-4.BOTTOM SHELL: SUS T=0.20mm
 - PLATING SPECIFICATION:
 - GOLD PLATING ON CONTACT AREA
 - TIN PLATING ON SOLDER AREA OVER Ni
 - 2-1.SHELL: Ni PLATING OVER ALL
 - MECHANICAL PERFORMANCE:
 - 3-1.INSERTION FORCE: 22N MAX
 - 3-2.REMOVAL FORCE: 22N MAX
 - 3-2.DURABILITY: 750 CYCLES MIN.
 - ELECTRICAL PERFORMANCE:
 - 4-1.CURRENT RATING:1.5A
 - 4-2.VOLTAGE RATING:125V MAX
 - 4-3.CONTACT RESISTANCE: 40mΩ Max.
 - 4-4.INSULATION RESISTANCE: 500MΩ MIN
 - 4-5.DIELECTRIC WITHSTANDING VOLTAGE: 500V AC Min
 - ENVIRONMENTAL PERFORMANCE:
 - OPERATING TEMPERATURE: -40°C~+85°C.
 - PACKAGE SPEC:TRAY

P/N:
WLR4F9-08 8 X X X 035

PLATING:
1-G/F
2-Au 3u"
3-Au 6u"
5-Au 15u"
6-Au 30u"

LED:
1-LEFT:YELLOW
RIGHT:GREEN
2-LEFT:GREEN
RIGHT:YELLOW
3-LEFT:AMBER
RIGHT:GREEN
4-LEFT:AMBER
RIGHT:WHITE

COLOUR:
A-BLACK



REV.	REVISION RECORD	DATE		GENERAL TOLERANCES		SCALE: 1:1	NAME	DATE	PART.NO:	DWG.NO:	
A0	NEW RELEASE	21.01.13		LINEAR	ANGLES	APPROVED	Wang_jr	21.01.13	WLR4F9-088XXX035	ENDE05	
			UNIT:mm	0.00±0.25	X°±3°	DESIGNER	Han_Gao	21.01.13	TITLE: RJ45 8P8C DIP沉板式3.0mm 带灯贴唛拉		REV: A0 SHEET: 1/1
			SIZE: A4	0.000±0.10	X°X' ±2°	DRAWN	Zijun_Huang	21.01.13			