

The product using material and processing must conform to the "WL-PZ-001"HSF technical standard control requirements

RoHS

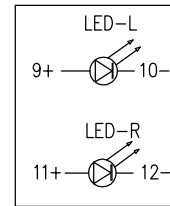
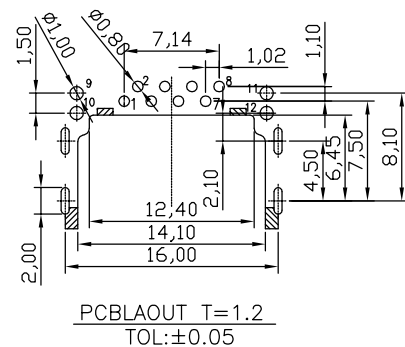
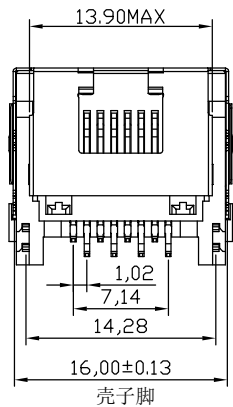
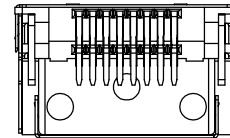
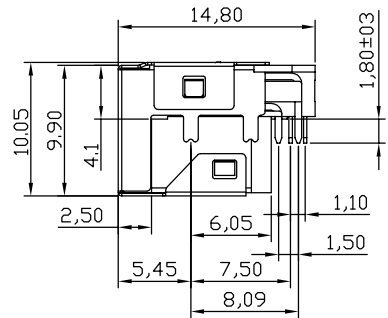
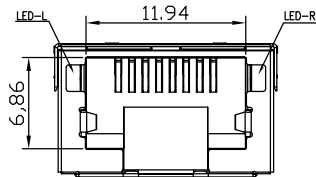
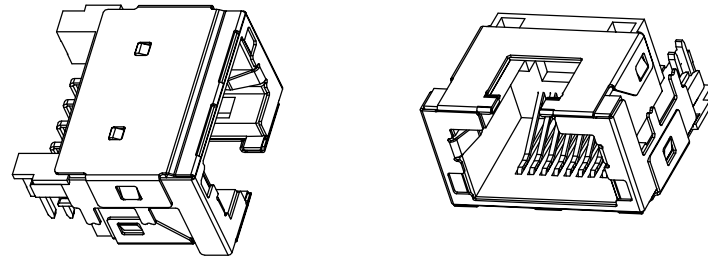
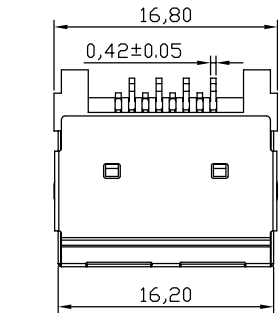
NOTE:
 1.MATERIAL SPECIFICATION:
 1-1.HOUSING: LCP UL94V-0
 1-2.SHELL: BRASS
 1-3.CONTACT: PHOSPHOR BRONZE T=0.30MM
 2.PLATING SPECIFICATION:
 G/F AND TIN PLATING OVER NI
 2-1.SHELL:
 Ni PLATING OVER ALL
 3.MECHANICAL PERFORMANCE:
 3-1.INSERTION FORCE: 22N MAX
 3-2.REMOVAL FORCE: 22N MAX
 3-2.DURABILITY: 750 CYCLES MIN.
 4.ELECTRICAL PERFORMANCE:
 4-1.CURRENT RATING:1.5A
 4-2.VOLTAGE RATING:125V MAX
 4-3.CONTACT RESISTANCE: 40mΩ Max.
 4-4.INSULATION RESISTANCE: 500MΩ MIN
 4-5.DIELECTRIC WITHSTANDING VOLTAGE: 500V AC Min
 5.ENVIRONMENTAL PERFORMANCE:
 OPERATING TEMPERATURE: -40°C~+85°C.
 6.PACKAGE SPEC:TRAY

P/N:
 WLR4F9-08 8 X X X 036

PLATING:
 1-G/F
 2-Au 3u"
 3-Au 6u"
 5-Au 15u"
 6-Au 30u"

LED:
 1-LEFT:YELLOW
 RIGHT:GREEN
 2-LEFT:GREEN
 RIGHT:YELLOW

COLOUR:
 A-BLACK
 E-YELLOW



REV.	REVISION RECORD	DATE	UNIT:mm	GENERAL TOLERANCES		SCALE: 1:1	NAME	DATE	PART.NO:	DWG.NO:	WanLian Teconology Co., Ltd
A0	NEW RELEASE	21.01.13		SIZE: A4	LINEAR 0.0±0.35	ANGLES X°REF±6°	APPROVED	Wang_jr	21.01.13	WLR4F9-088XXX036	
				0.00±0.25	X°±3°	DESIGNER	Han_Gao	21.01.13	TITLE: RJ45 8P8C DIP沉板式4.1MM		REV: A0
				0.000±0.10	X°X' ±2°	DRAWN	Zijun_Huang	21.01.13			SHEET: 1/1

