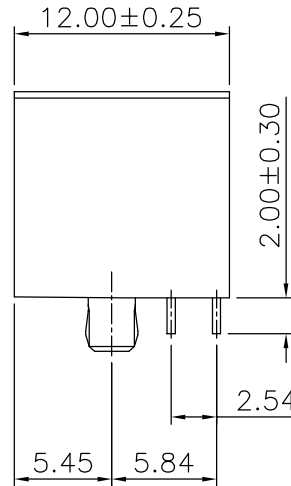
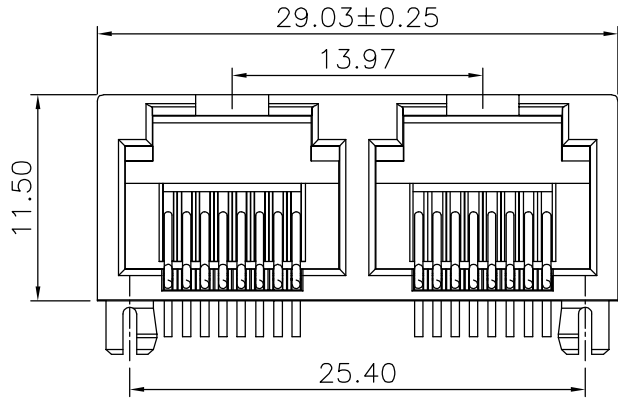


The product using material and processing must conform to the "WL-PZ-001"HSF technical standard control requirements



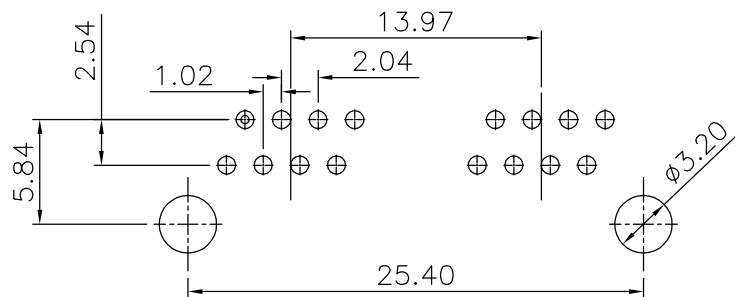
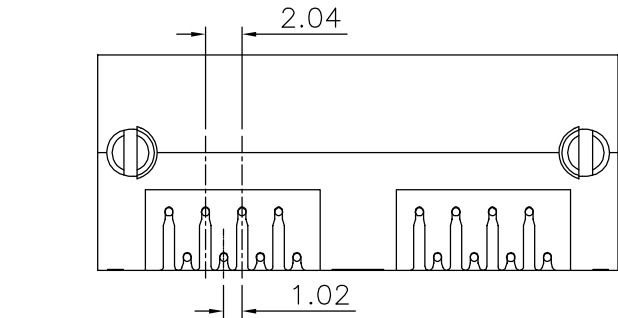
NOTE:

- 1.MATERIAL SPECIFICATION:
  - 1-1.HOUSING: PBT UL94V-0
  - 1-2.CONTACT: PHOSPHOR BRONZE  $\phi$ 0.46mm
- 2.PLATING SPECIFICATION:
  - G/F PLATING OVER Ni
- 3.MECHANICAL PERFORMANCE:
  - 3-1.INSERTION FORCE: 22N MAX
  - 3-2.REMOVAL FORCE: 22N MAX
  - 3-2.DURABILITY: 750 CYCLES MIN.
- 4.ELECTRICAL PERFORMANCE:
  - 4-1.CURRENT RATING:1.5A
  - 4-2.VOLTAGE RATING:125V MAX
  - 4-3.CONTACT RESISTANCE: 40m $\Omega$  Max.
  - 4-4.INSULATION RESISTANCE: 500M $\Omega$  MIN
  - 4-5.DIELECTRIC WITHSTANDING VOLTAGE: 500V AC Min
- 5.ENVIRONMENTAL PERFORMANCE:
  - OPERATING TEMPERATURE: -40°C~+85°C.
- 6.PACKAGE SPEC:TRAY

P/N:

WLR4F9-16 1 X X X 014

- |          |           |          |          |
|----------|-----------|----------|----------|
| PLATING: | 1-G/F     | HOUSING: | 1-PBT    |
|          | 2-Au 3u"  |          | 2-LCP    |
|          | 3-Au 6u"  |          | 3-PA9T   |
|          | 5-Au 15u" |          | 4-PA46   |
|          | 6-Au 30u" | COLOUR:  | A-BLACK  |
|          |           |          | D-ORANGE |
|          |           |          | E-YELLOW |
|          |           |          | J-GRAY   |



PCBLAYOUT  
TOL:±0.05

REV.	REVISION RECORD	DATE	UNIT:mm	GENERAL TOLERANCES		SCALE: 1:1	NAME	DATE	PART.NO:	DWG.NO:	
A0	NEW RELEASE	21.01.13		LINEAR	ANGLES	APPROVED	Wang_jr	21.01.13	WLR4F9-161XXX014	ENDE05	
			0.0±0.35	X°REF±6°	DESIGNER	Han_Gao	21.01.13	TITLE:			
			0.00±0.25	X°±3°	DRAWN	Zijun_Huang	21.01.13	RJ45 8P8C DIP 1X2			
			0.000±0.10	X°X' ±2°						REV: A0	SHEET: 1/1