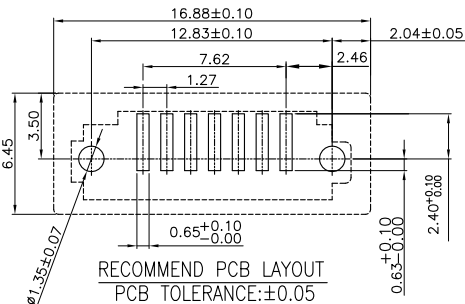
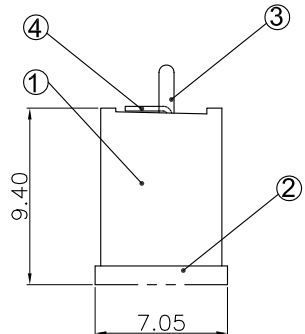
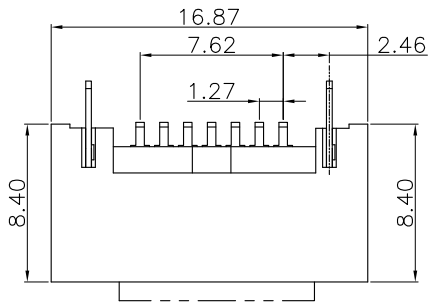


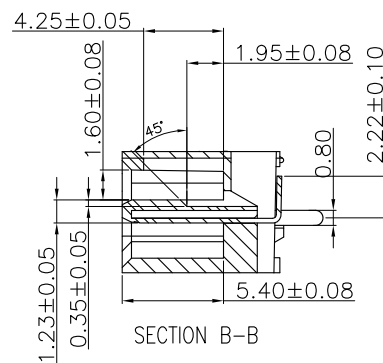
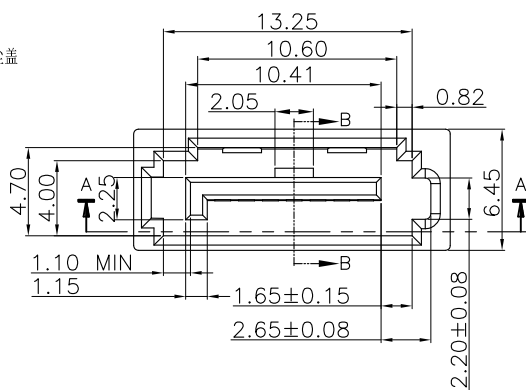
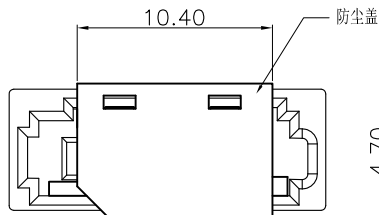
The product using material and processing must conform to the "WI-PZ-001" HSF technical standard control requirements

RoHS+HF



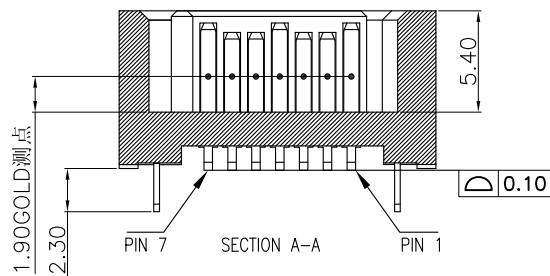
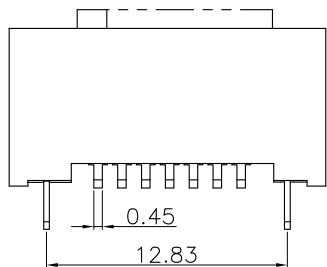
NOTES:

Current Rating: 1.5 Ampere Per Contact;
Operation Voltage: 15V DC Max.
Contact Resistance: 30mΩ Max.
Insulation Resistance: 1000MΩ Min.
Dielectric Withstanding Voltage: 500V AC.
Insertion Force: 45N Max.
Withdrawal Force: 10N Min.
PACKAGE SPEC: TAPE&REEL



WLSAFO-07 2 X X 0003

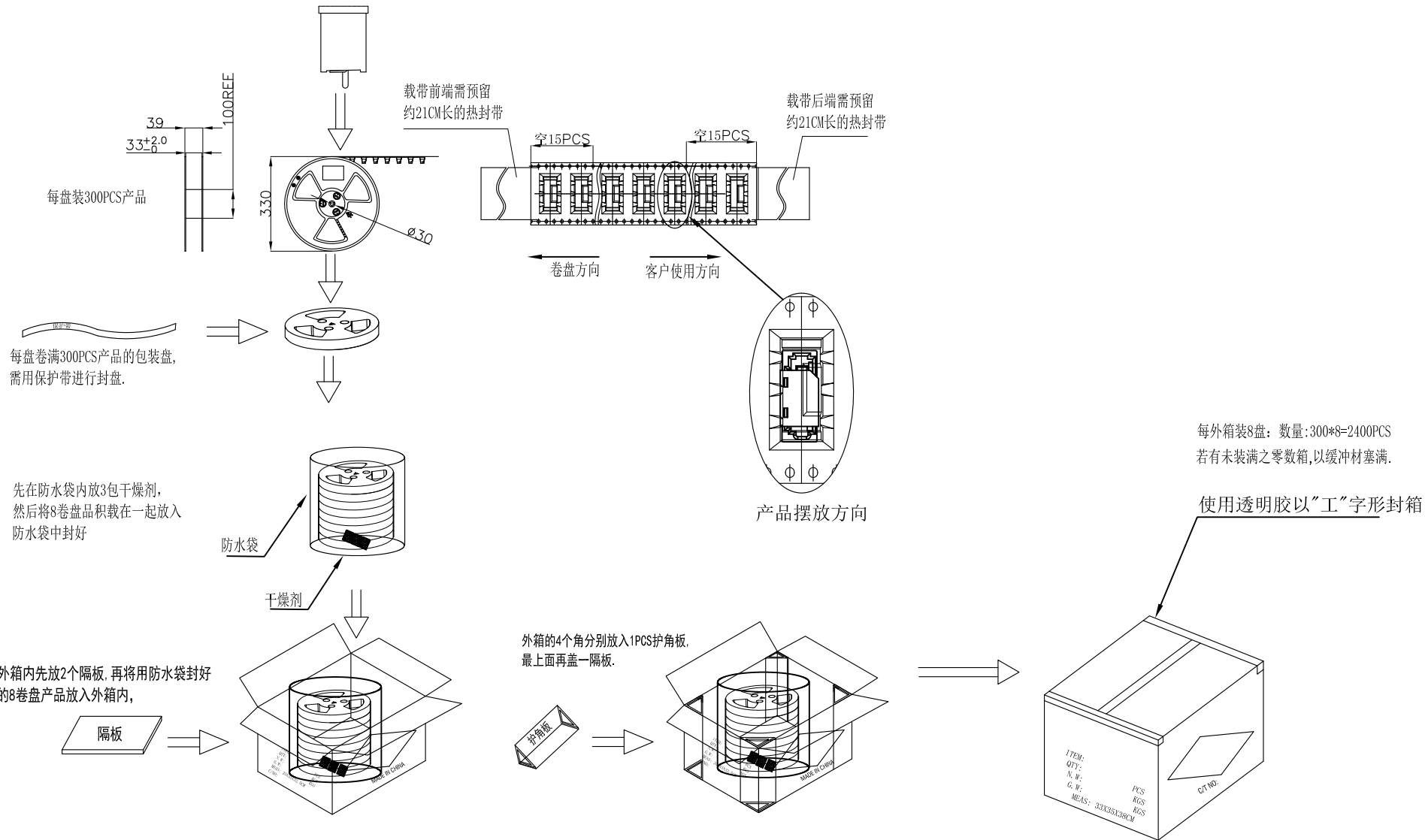
PLATING: Colour:
1-G/F A:Black
5-AU 15U" G:Blue
6-AU 30U"



4	CONTACT	PHOSPHOR BRONZE	7	2U"MIN. GOLD PLATING ON CONTACT AREA 100U"MIN.TIN PLATING ON SOLDER TAILS 50U" MIN.NICKEL UNDERPLATING OVER ALL	C5191
3	PEG	PHOSPHOR BRONZE	2	100U"MIN.TIN PLATION ON SOLDER TAILS 50U"MIN. NICKEL UNDERPLATING OVER ALL	C5191
2	COVER	LCP BLACK 30% G/F	1	UL94V-0	
1	HOUSING	LCP BLUE 30% G/F	1	UL94V-0	
NO.	NAME	MATERIAL	Q'TY	STANDARD	NOTE

REV.	REVISION RECORD	DATE		GENERAL TOLERANCES		SCALE: 1:1	NAME	DATE	PART.NO: WLSAFO-072XX0003	DWG.NO: ENDE05	 WanLian Teconology Co., Ltd	
A0	NEW RELEASE	21.01.13		UNIT: mm	LINEAR	ANGLES	APPROVED	Wang_jr	21.01.13	TITLE: SATA 7P母头 AB TYPE 立贴 加防尘盖		
			SIZE: A4	0.0±0.35	X'REF±6'	DESIGNER	Ding_bo	21.01.13		REV: A0		SHEET: 1/2
				0.00±0.25	X'±3'	DRAWN	Ou_jian	21.01.13				

The product using material and processing must conform to the "WI-PZ-001" HSF technical standard control requirements



REV.	REVISION RECORD	DATE		GENERAL TOLERANCES		SCALE: 1:1	NAME	DATE	PART.NO: WLSAFO-072XX0003	DWG.NO: ENDE05	 WanLian Teconology Co., Ltd
A0	NEW RELEASE	21.01.13		LINEAR	ANGLES	APPROVED	Wang_jr	21.01.13			
			0.0±0.35	X'REF±6'	DESIGNER	Ding_bo	21.01.13	TITLE: SATA 7P母头 AB TYPE 立贴 加防尘盖	REV: A0	SHEET: 2/2	
			UNIT: mm	X'±3'	DRAWN	Ou_jian	21.01.13				
			SIZE: A4	0.000±0.10	X'X' ±2'						