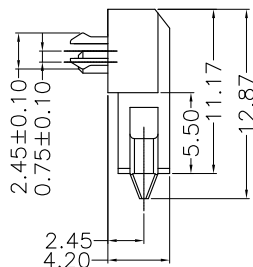
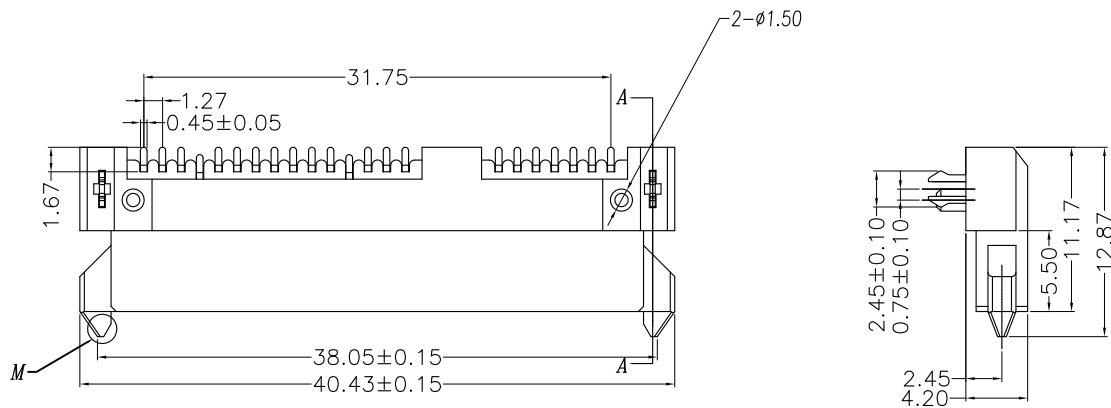


The product using material and processing must conform to the "WI-PZ-001" HSF technical standard control requirements

RoHS+HF



NOTE:

1.MATERIAL:

HOUSING: LCP 30% G/F UL 94V-0 ;BLACK
CONTACT: C5191R-H,T=0.25±0.01mm
PEG: C2680R-H,T=0.35±0.01mm

2.MECHANICAL:

MATING: 45N MAX.
WITHDRAWAL FORCE: 10N MIN.
DURABILITY: 500 CYCLES.

3.ELECTRICAL:

CURRENT RATING: 1.5 A
CONTACT RESISTANCE:30 Milliohms MAX.
INSULATION RESISTANCE: 1000 Megohms MIN.
WITHSTANDING VOLTAGE: 500 VAC

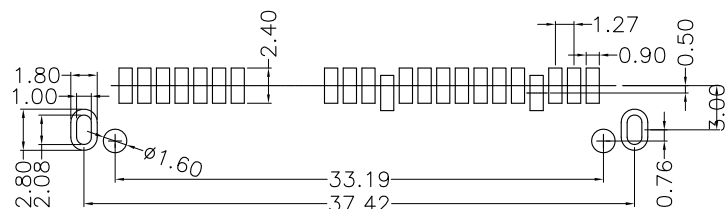
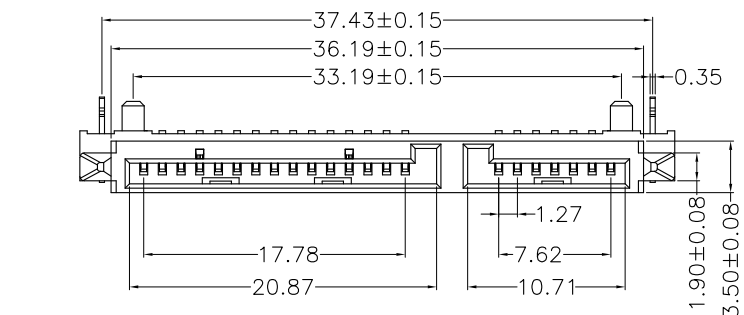
4.FINISH:

CONTACT: 1u" GOLD MIN. PLATING ON CONTACT AREA
100u"MIN. MATTE TIN PLATING ON SOLDER TAILS
50u" MIN. NICKEL UNDERPLATING OVER ALL
PEG:100u" MIN. MATTE TIN PLATING ON SOLDER AREA
50u" MIN.NICKEL UNDERPLATING OVER ALL

5.ENVIRONMENTAL:

OPERATURE RANGE:-25°C TO +85°C

6.PACKAGE SPEC:TRAY




RECOMMENDED P.C.B LAYOUT

T=±0.05

WLSAF9-22 2 X X 0002

PLATING:
1-G/F Colour:
5-AU 15U" A:Black
6-AU 30U"

REV.	REVISION RECORD	DATE	GENERAL TOLERANCES		SCALE:	NAME	DATE	PART.NO:	DWG.NO:	 WanLian Teconology Co., Ltd	
A0	NEW RELEASE	21.01.13	LINEAR	ANGLES	1:1	Wang_jr	21.01.13	WLSAF9-222XX0002	ENDE05		
			0.0±0.35	X'REF±6'	APPROVED	Ding_bo	21.01.13				
			0.00±0.25	X'±3'	DESIGNER	Ou_jian	21.01.13	TITLE:			
			UNIT: mm	X'X' ±2'	DRAWN			SATA 7+15P/F SMT 贴板有柱		REV: A0	SHEET: 1/1