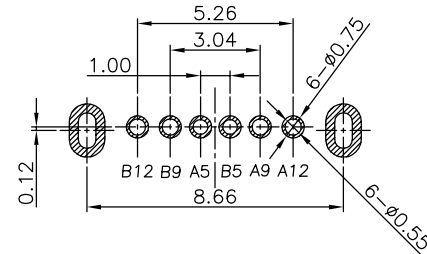
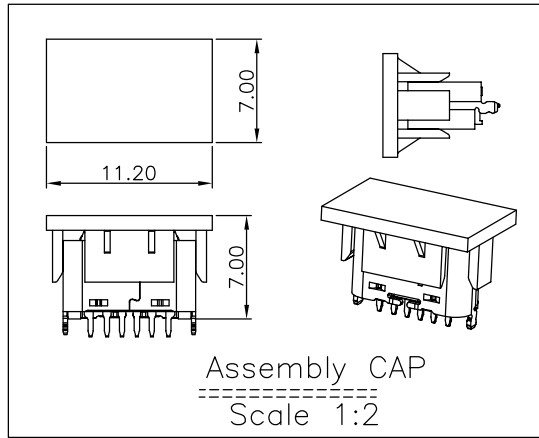
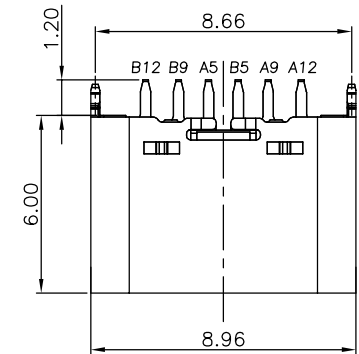
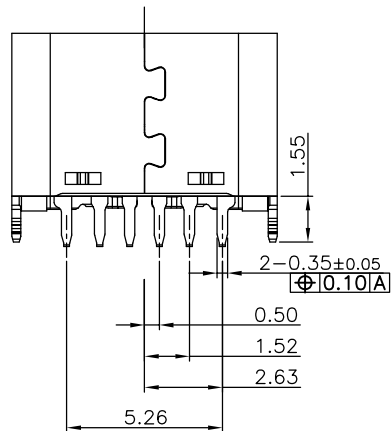
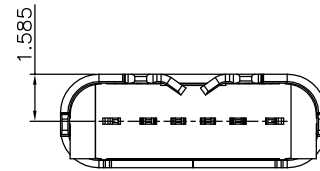
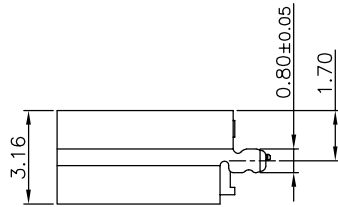
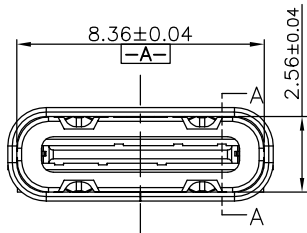


The product using material and processing must conform to the "WL-PZ-001"HSF technical standard control requirements



P.C.B LAYOUT VIEW  
TOLERANCE ±0.05



PIN ASSIGNMENT

Pin	Signal Name	Pin	Signal Name	Pin	Signal Name	Pin	Signal Name
A1	GND	B12	GND	A7	D-	B6	D+
A2	TX1+	B11	RX1-	A8	SBU1	B5	CC2
A3	TX1-	B10	RX1+	A9	VBUS	B4	VBUS
A4	VBUS	B9	VBUS	A10	RX2-	B3	TX2+
A5	CC1	B8	SBU2	A11	RX2+	B2	TX2+
A6	D+	B7	D-	A12	GND	B1	GND

PART.NO.:  
WLT2FO-06 1 X X 0 162

PLATING: 1-G/F 2-Au 3u" 5-Au 15u" 6-Au 30u"  
COLOUR: A-BLACK

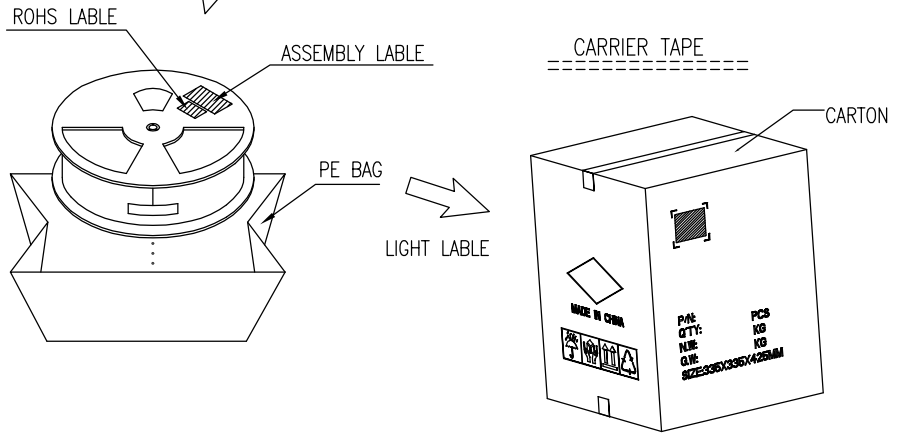
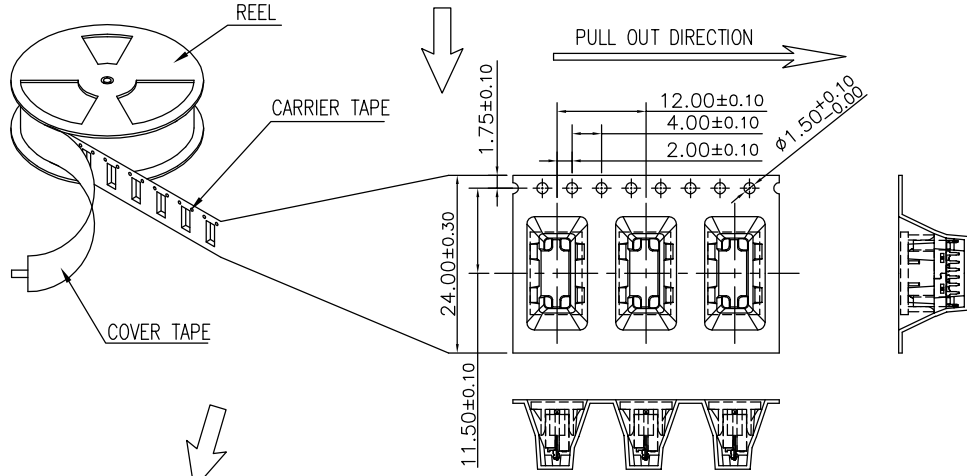
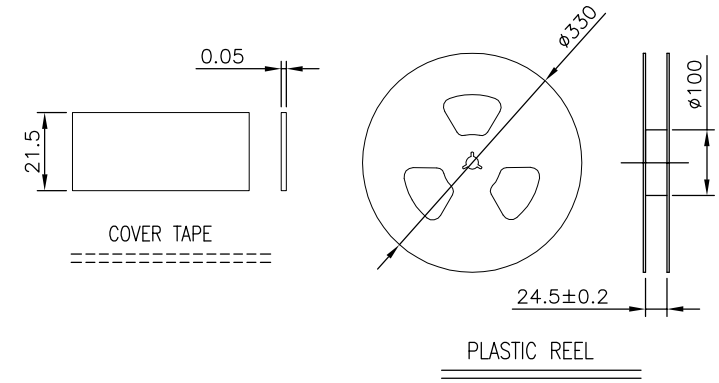
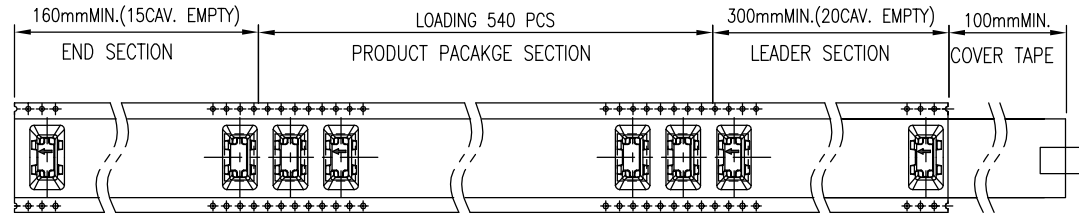
NOTE:

- MATERIAL SPECIFICATION:
  - HOUSING: LCP BLACK UL94V-0
  - CONTACTS: COPPER ALLOY
  - MID PLATE: STAINLESS STEEL
  - SHELL: STAINLESS STEEL
- PLATING SPECIFICATION:
  - CONTACTS: Ni 50u" MIN. UNDER PLATED OVER ALL. Au PLATED ON THE FUNCTIONAL AREA OF CONTACT.
  - MID PLATE: CLEAR ONLY
  - FRONT SHELL: Ni 50u" MIN. UNDER PLATED OVER ALL.
- MECHANICAL PERFORMANCE:
  - INSERTION FORCE: 0.5~2.0kgf.
  - REMOVAL FORCE: 0.8~2.0kgf.
  - DURABILITY: 10000 CYCLES.
- ELECTRICAL PERFORMANCE:
  - CURRENT RATING: 3.0A  
VOLTAGE RATING: 20V MAX
  - CONTACT RESISTANCE: 30mΩ MAX
  - INSULATION RESISTANCE: 100MΩ MIN
  - WITHSTANDING VOLTAGE: 100V AC r.m.s.
- ENVIRONMENTAL PERFORMANCE:
  - OPERATING TEMPERATURE: -40°C~+85°C.

REV.	REVISION RECORD	DATE	GENERAL TOLERANCES		SCALE:	NAME	DATE	PART.NO:	DWG.NO:
A0	NEW RELEASE	21.01.13	LINEAR	ANGLES	1:1	Wang_jr	21.01.13	WLT2FO-061XX0162	ENDE05
			0.0±0.35	X°REF±6'	APPROVED	Han_Gao	21.01.13	TITLE:	
			UNIT:mm	X°±3'	DESIGNER	Zijun_Huang	21.01.13	TYPE C 6P/F On Board Vertical 6.0H DIP	
			SIZE: A4	0.000±0.10	DRAWN			REV: A0 SHEET: 1/2	

The product using material and processing must conform to the "WL-PZ-001"HSF technical standard control requirements

RoHS



NOTES 2:

1. MATERIAL:

- 1.1 REEL AND AXLE: PS,BLUE
- 1.2 CARRIER TAPE: PET, LUCID
- 1.3 COVER TAPE: PS,TRANSPARENT
- 1.4 SHIPPING CARTON: CORRUGATED FIBER

2. DIMENSION:

- 2.1 REEL: W=24.5,  $\phi A=330$
- 2.2 CARRIER TAPE: T=0.50 W=24.0
- 2.3 COVER TAPE: T=0.05 W=21.5
- 2.4 SHIPPING CARTON: L=335mm, W=335mm, H=425mm

3. QUANTITY :

- 3.1 PRIMAY PACKING: 540 PCS/REEL
- 3.2 SECONARY PACKING: 12 REELS/CARTON(6480PCS/CARTON)

4. PEELING RESISTANCE: 0.1~1.3N

- 4.1 PEELING SPEED: 300mm/minutes
- 4.2 PEELING ANGLE: 165° ~180°

REV.	REVISION RECORD	DATE		GENERAL TOLERANCES		SCALE: 1:1	NAME	DATE	PART.NO: WLT2FO-061XX0162	DWG.NO: ENDE05	 WanLian Teconology Co., Ltd	
A0	NEW RELEASE	21.01.13		LINEAR	ANGLES	APPROVED	Wang_jr	21.01.13				
			UNIT:mm	0.00±0.25	X°REF±6°	DESIGNER	Han_Gao	21.01.13	TITLE: TYPE C 6P/F On Board Vertical 6.0H DIP	REV: A0		SHEET: 2/2
			SIZE: A4	0.000±0.10	X°X' ±2°	DRAWN	Zijun_Huang	21.01.13				