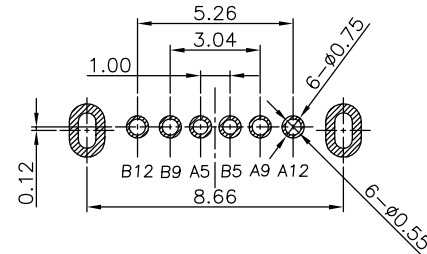
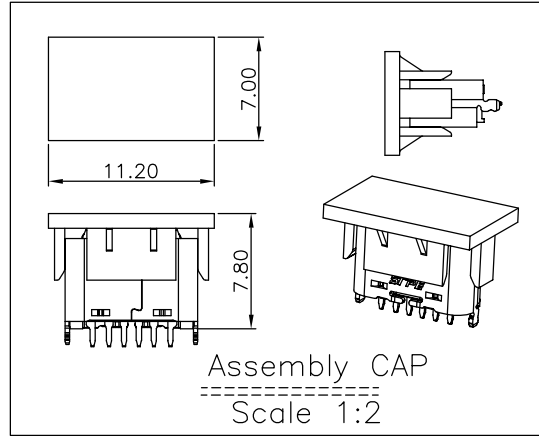
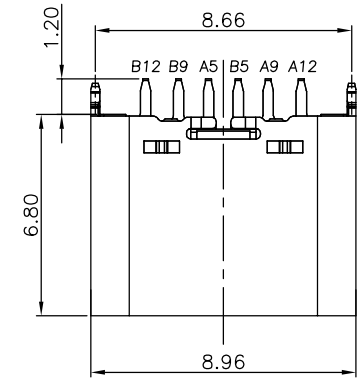
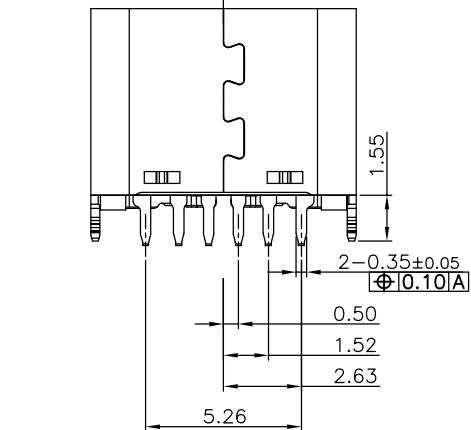
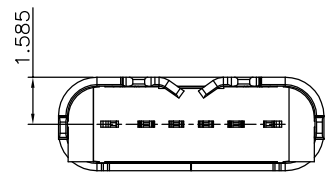
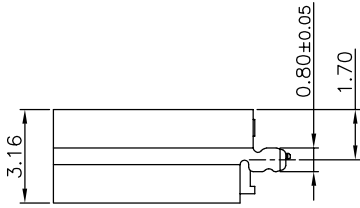
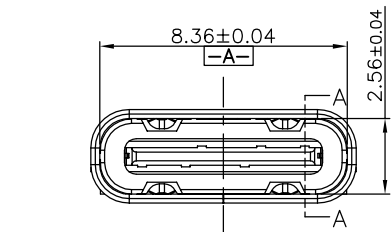


The product using material and processing must conform to the "WL-PZ-001"HSF technical standard control requirements

RoHS



P.C.B LAYOUT VIEW
TOLERANCE ±0.05



PIN ASSIGNMENT

Pin	Signal Name	Pin	Signal Name	Pin	Signal Name	Pin	Signal Name
A1	GND	B12	GND	A7	D-	B6	D+
A2	TX1+	B11	RX1-	A8	SBU1	B5	CC2
A3	TX1-	B10	RX1+	A9	VBUS	B4	VBUS
A4	VBUS	B9	VBUS	A10	RX2-	B3	TX2+
A5	CC1	B8	SBU2	A11	RX2+	B2	TX2+
A6	D+	B7	D-	A12	GND	B1	GND

PART.NO.: WLT2F0-06 1 X X 0 163

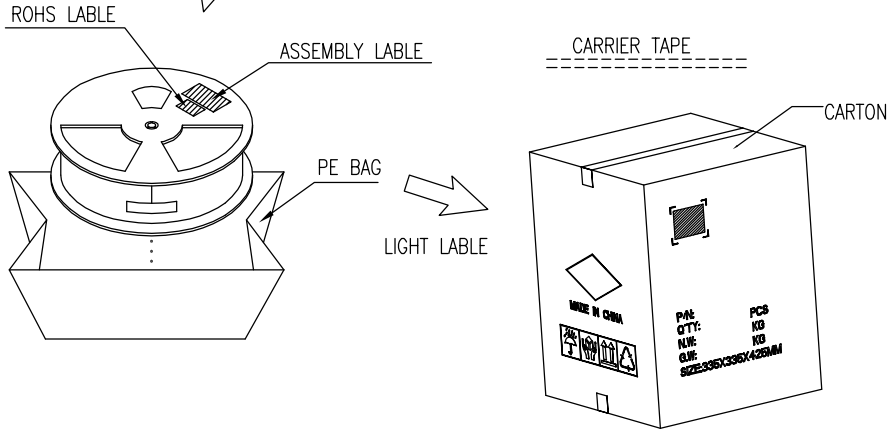
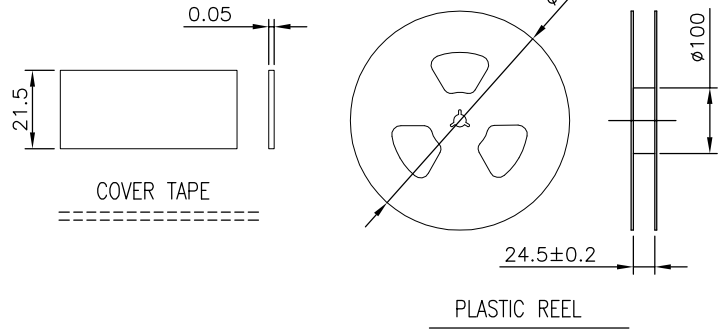
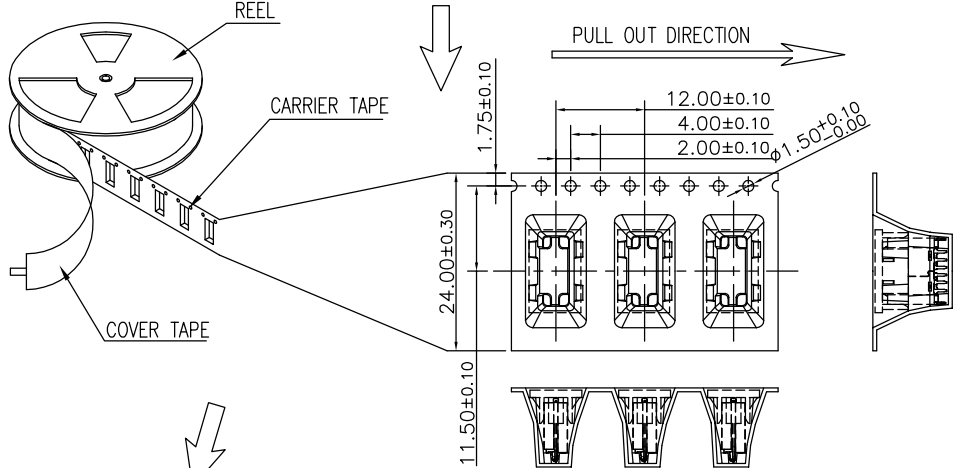
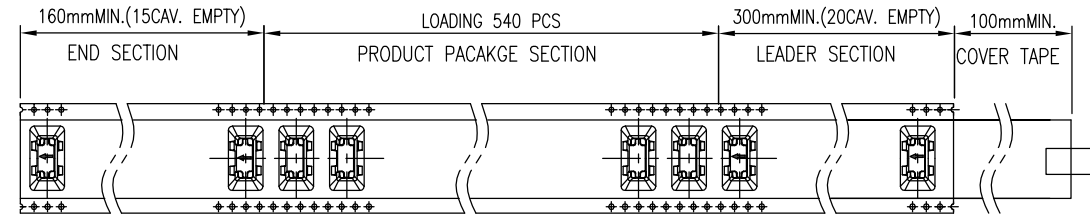
PLATING: 1-G/F
2-Au 3u"
5-Au 15u"
6-Au 30u"
COLOUR: A-BLACK

NOTE:
1.MATERIAL SPECIFICATION:
1-1.HOUSING:LCP BLACK UL94V-0
1-2.CONTACTS:COPPER ALLOY
1-3.MID PLATE: STAINLESS STEEL
1-4.SHELL: STAINLESS STEEL
2.PLATING SPECIFICATION:
2-1.CONTACTS:
Ni 50u" MIN. UNDER PLATED OVER ALL.
Au PLATED ON THE FUNCTIONAL AREA OF CONTACT.
2-2.MID PLATE:
CLEAR ONLY
2-3.FRONT SHELL:
Ni 50u" MIN. UNDER PLATED OVER ALL.
3.MECHANICAL PERFORMANCE:
3-1.INSERTION FORCE: 0.5~2.0kgf.
3-2.REMOVAL FORCE: 0.8~2.0kgf.
3-3.DURABILITY: 10000 CYCLES.
4.ELECTRICAL PERFORMANCE:
4-1. CURRENT RATING:3.0A
VOLTAGE RATING:20V MAX
4-2.CONTACT RESISTNACE: 30mΩ MAX
4-3.INSULATION RESISTANCE: 100MΩ MIN
4-4.WITHSTANDING VOLTAGE: 100V AC r.m.s.
5.ENVIRONMENTAL PERFORMANCE:
OPERATING TEMPERATURE: -40°C~+85°C.

REV.	REVISION RECORD	DATE	GENERAL TOLERANCES		SCALE:	NAME	DATE	PART.NO:	DWG.NO:
A0	NEW RELEASE	21.01.13	LINEAR	ANGLES	1:1	Wang_jr	21.01.13	WLT2F0-061XX0163	ENDE05
			0.0±0.35	X*REF±6°	APPROVED	Han_Gao	21.01.13	TITLE:	 WanLian Teconology Co., Ltd
			0.00±0.25	X°±3'	DESIGNER	Zijun_Huang	21.01.13	TYPE C 6P/F On Board Vertical 6.8H DIP	
			0.000±0.10	X°X' ±2'	DRAWN			REV: A0 SHEET: 1/2	

The product using material and processing must conform to the "WL-PZ-001"HSF technical standard control requirements

RoHS



- NOTES 2:
- MATERIAL:
 - REEL AND AXLE: PS,BLUE
 - CARRIER TAPE: PET, LUCID
 - COVER TAPE: PS,TRANSPARENT
 - SHIPPING CARTON: CORRUGATED FIBER
 - DIMENSION:
 - REEL: W=24.5, φA=330
 - CARRIER TAPE: T=0.50 W=24.0
 - COVER TAPE: T=0.05 W=21.5
 - SHIPPING CARTON: L=335mm, W=335mm, H=425mm
 - QUANTITY :
 - PRIMAY PACKING: 540 PCS/REEL
 - SECONARY PACKING: 10 REELS/CARTON(5400PCS/CARTON)
 - PEELING RESISTANCE: 0.1~1.3N
 - PEELING SPEED: 300mm/minutes
 - PEELING ANGLE: 165° ~180°

REV.	REVISION RECORD	DATE		GENERAL TOLERANCES		SCALE: 1:1	NAME	DATE	PART.NO: WLT2FO-061XX0163	DWG.NO: ENDE05	
A0	NEW RELEASE	21.01.13		LINEAR	ANGLES	APPROVED	Wang_jr	21.01.13			
			UNIT:mm	0.00±0.25	X°±3'	DESIGNER	Han_Gao	21.01.13	TITLE: TYPE C 6P/F On Board Vertical 6.8H DIP		
			SIZE: A4	0.000±0.10	X°X' ±2'	DRAWN	Zijun_Huang	21.01.13	REV: A0	SHEET: 2/2	