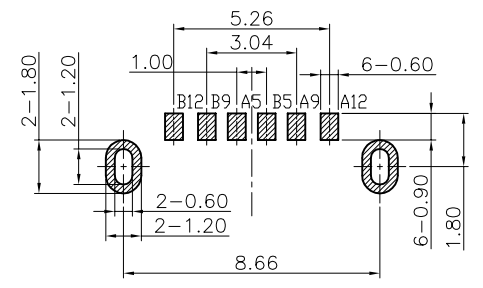
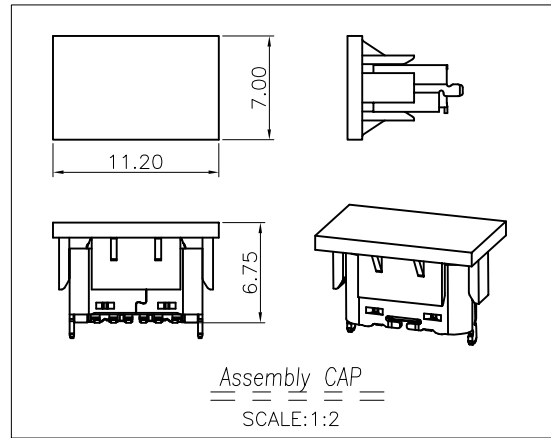
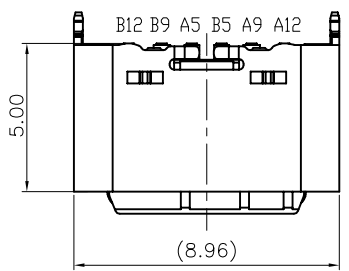
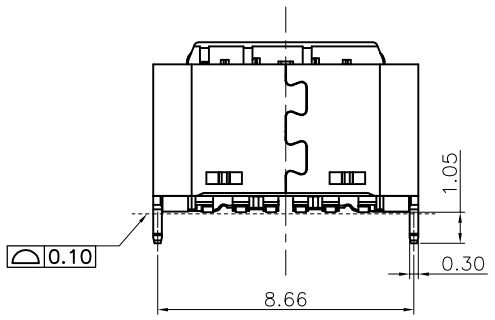
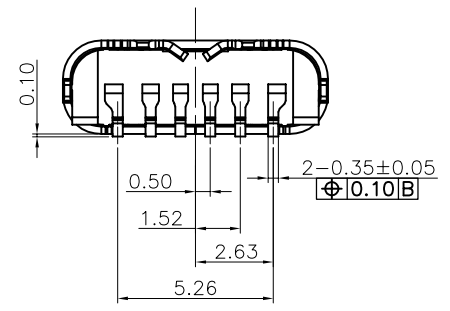
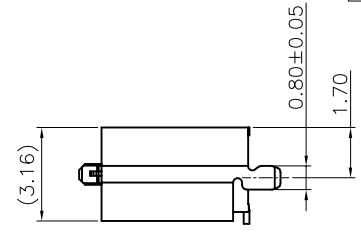
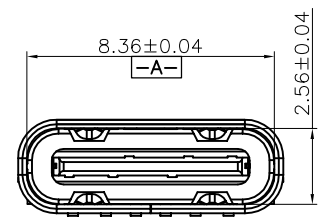


The product using material and processing must conform to the "WL-PZ-001"HSF technical standard control requirements

RoHS



P.C.B LAYOUT VIEW  
TOLERANCE ±0.05



PIN ASSIGNMENT

Pin	Signal Name	Pin	Signal Name	Pin	Signal Name	Pin	Signal Name
A1	GND	B12	GND	A7	D-	B6	D+
A2	TX1+	B11	RX1-	A8	SBU1	B5	CC2
A3	TX1-	B10	RX1+	A9	VBUS	B4	VBUS
A4	VBUS	B9	VBUS	A10	RX2-	B3	TX2+
A5	CC1	B8	SBU2	A11	RX2+	B2	TX2+
A6	D+	B7	D-	A12	GND	B1	GND

PART.NO.:  
WLT2F0-06 2 X X 0 164

PLATING: 1-G/F 2-Au 3u" 5-Au 15u" 6-Au 30u"  
COLOUR: A-BLACK

- NOTE:
- MATERIAL SPECIFICATION:
    - 1-1.HOUSING:LCP BLACK UL94V-0
    - 1-2.CONTACTS:COPPER ALLOY
    - 1-3.MID PLATE: STAINLESS STEEL
    - 1-4.SHELL: STAINLESS STEEL
  - PLATING SPECIFICATION:
    - 2-1.CONTACTS: Ni 50u" MIN. UNDER PLATED OVER ALL. Au PLATED ON THE FUNCTIONAL AREA OF CONTACT.
    - 2-2.MID PLATE: CLEAR ONLY
    - 2-3.FRONT SHELL: Ni 50u" MIN. UNDER PLATED OVER ALL.
  - MECHANICAL PERFORMANCE:
    - 3-1.INSERTION FORCE: 0.5~2.0kgf.
    - 3-2.REMOVAL FORCE: 0.8~2.0kgf.
    - 3-3.DURABILITY: 10000 CYCLES.
  - ELECTRICAL PERFORMANCE:
    - 4-1. CURRENT RATING:3.0A VOLTAGE RATING:20V MAX
    - 4-2.CONTACT RESISTNACE: 30mΩ MAX
    - 4-3.INSULATION RESISTANCE: 100MΩ MIN
    - 4-4.WITHSTANDING VOLTAGE: 100V AC r.m.s.
  - ENVIRONMENTAL PERFORMANCE:
    - OPERATING TEMPERATURE: -40°C~+85°C.

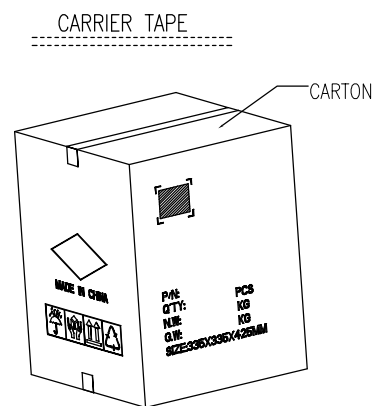
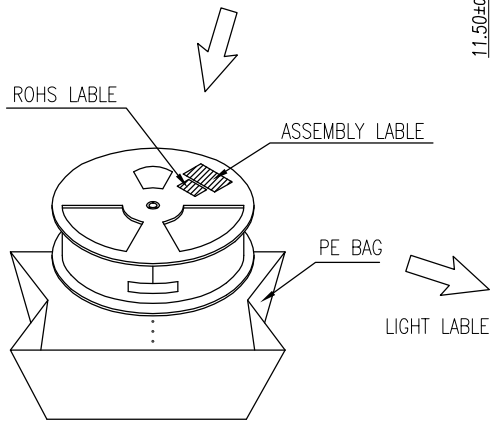
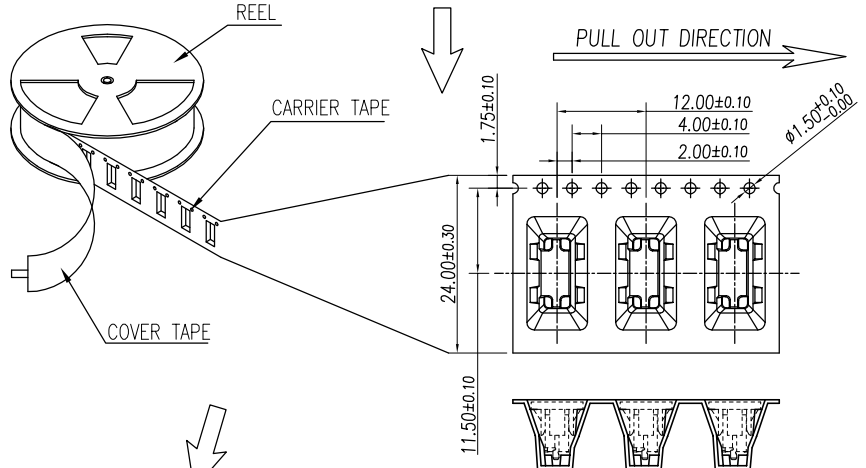
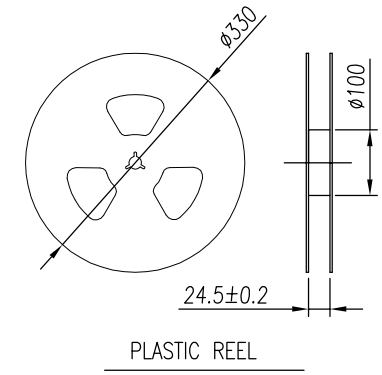
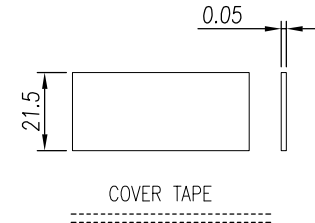
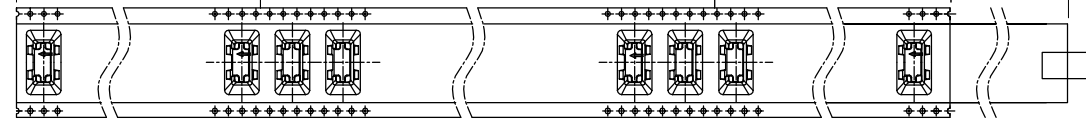
REV.	REVISION RECORD	DATE	UNIT:mm	GENERAL TOLERANCES		SCALE:	NAME	DATE	PART.NO:	DWG.NO:	TITLE:	REV: A0	SHEET: 1/2
A0	NEW RELEASE	21.01.13		LINEAR	ANGLES	1:1							
				0.00±0.25	X°±3'	APPROVED	Wang_jr	21.01.13	WLT2F0-062XX0164	ENDE05	TYPE C 6P/F On Board Vertical 5.0H SMT		
			SIZE: A4	0.000±0.10	X°X' ±2'	DESIGNER	Han_Gao	21.01.13					
						DRAWN	Zijun_Huang	21.01.13					



The product using material and processing must conform to the "WL-PZ-001"HSF technical standard control requirements



160mmMIN.(15CAV. EMPTY)      LOADING 600 PCS      300mmMIN.(20CAV. EMPTY)      100mmMIN.  
 END SECTION      PRODUCT PACAKGE SECTION      LEADER SECTION      COVER TAPE



- NOTES 2:
- MATERIAL:
    - 1.1 REEL AND AXLE: PS,BLUE
    - 1.2 CARRIER TAPE: PET, LUCID
    - 1.3 COVER TAPE: PS,TRANSPARENT
    - 1.4 SHIPPING CARTON: CORRUGATED FIBER
  - DIMENSION:
    - 2.1 REEL: W=24.5, øA=330
    - 2.2 CARRIER TAPE: T=0.50 W=24.0
    - 2.3 COVER TAPE: T=0.05 W=21.5
    - 2.4 SHIPPING CARTON: L=335mm, W=335mm, H=425mm
  - QUANTITY :
    - 3.1 PRIMAY PACKING: 600 PCS/REEL
    - 3.2 SECONARY PACKING: 12 REELS/CARTON(7200PCS/CARTON)
  - PEELING RESISTANCE: 0.1~1.3N
    - 4.1 PEELING SPEED: 300mm/minutes
    - 4.2 PEELING ANGLE: 165° ~180°

REV.	REVISION RECORD	DATE		GENERAL TOLERANCES		SCALE: 1:1	NAME	DATE	PART.NO:	DWG.NO:	
AO	NEW RELEASE	21.01.13		LINEAR	ANGLES	APPROVED	Wang_jr	21.01.13	WLT2FO-062XX0164	ENDE05	
			UNIT:mm	0.00±0.25	X'±3'	DESIGNER	Han_Gao	21.01.13	TITLE:		REV: A0      SHEET: 2/2
			SIZE: A4	0.000±0.10	X'X' ±2'	DRAWN	Zijun_Huang	21.01.13	TYPE C 6P/F On Board Vertical 5.0H SMT		