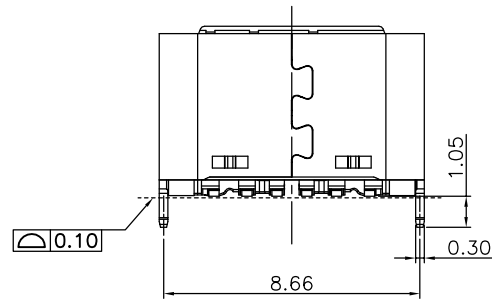
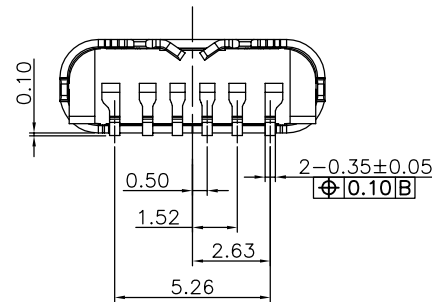
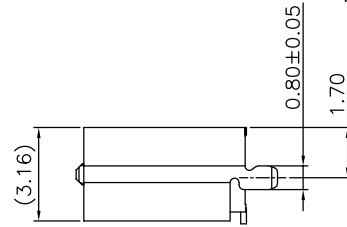
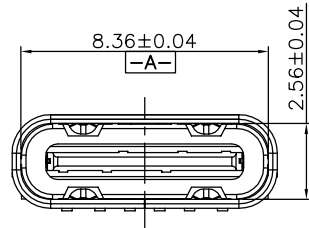
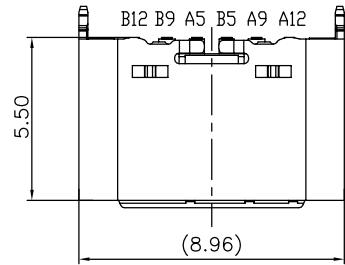


The product using material and processing must conform to the "WL-PZ-001"HSF technical standard control requirements

RoHS

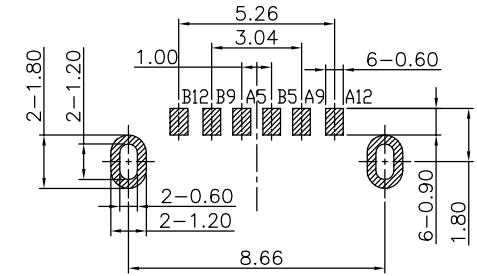
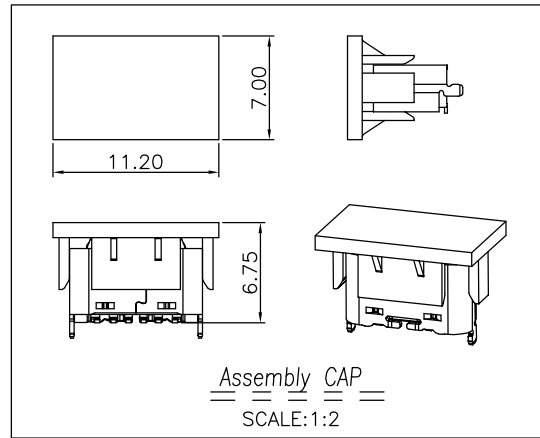


PIN ASSIGNMENT

Pin	Signal Name	Pin	Signal Name	Pin	Signal Name	Pin	Signal Name
A1	GND	B12	GND	A7	D-	B6	D+
A2	TX1+	B11	RX1-	A8	SBU1	B5	CC2
A3	TX1-	B10	RX1+	A9	VBUS	B4	VBUS
A4	VBUS	B9	VBUS	A10	RX2-	B3	TX2+
A5	CC1	B8	SBU2	A11	RX2+	B2	TX2+
A6	D+	B7	D-	A12	GND	B1	GND

PART.NO.:
WLT2F0-06 2 X X 0 165

PLATING:
 1-G/F
 2-Au 3u"
 5-Au 15u"
 6-Au 30u"
 COLOUR:
 A-BLACK



P.C.B LAYOUT VIEW

TOLERANCE ±0.05

NOTE:

- MATERIAL SPECIFICATION:
 - HOUSING:LCP BLACK UL94V-0
 - CONTACTS:COPPER ALLOY
 - MID PLATE: STAINLESS STEEL
 - SHELL: STAINLESS STEEL
- PLATING SPECIFICATION:
 - CONTACTS:
 - Ni 50u" MIN. UNDER PLATED OVER ALL.
 - Au PLATED ON THE FUNCTIONAL AREA OF CONTACT.
 - MID PLATE:
 - CLEAR ONLY
 - FRONT SHELL:
 - Ni 50u" MIN. UNDER PLATED OVER ALL.
- MECHANICAL PERFORMANCE:
 - INSERTION FORCE: 0.5~2.0kgf.
 - REMOVAL FORCE: 0.8~2.0kgf.
 - DURABILITY: 10000 CYCLES.
- ELECTRICAL PERFORMANCE:
 - CURRENT RATING:3.0A
VOLTAGE RATING:20V MAX
 - CONTACT RESISTNACE: 30mΩ MAX
 - INSULATION RESISTANCE: 100MΩ MIN
 - WITHSTANDING VOLTAGE: 100V AC r.m.s.
- ENVIRONMENTAL PERFORMANCE:
 - OPERATING TEMPERATURE: -40°C~+85°C.

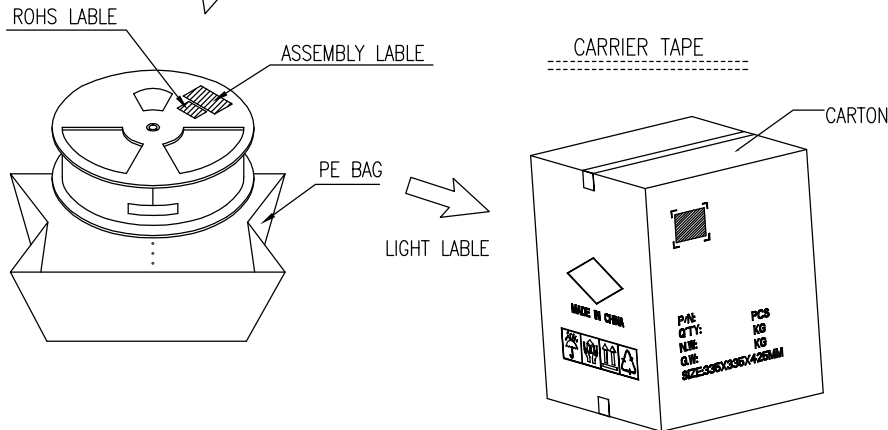
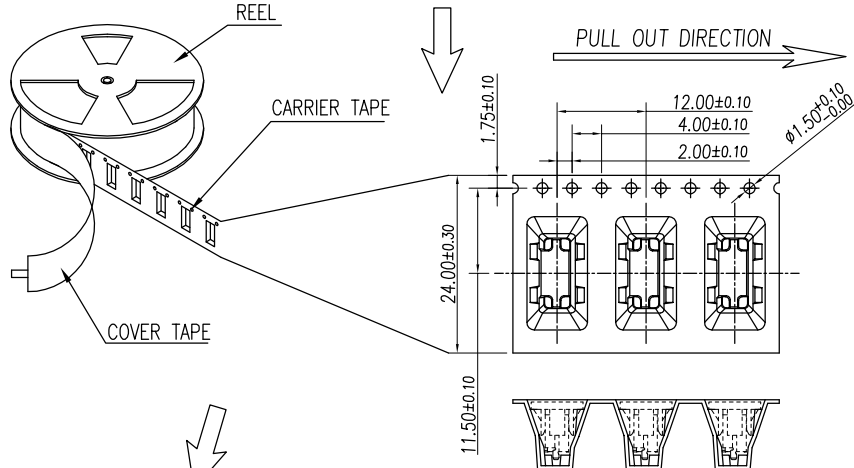
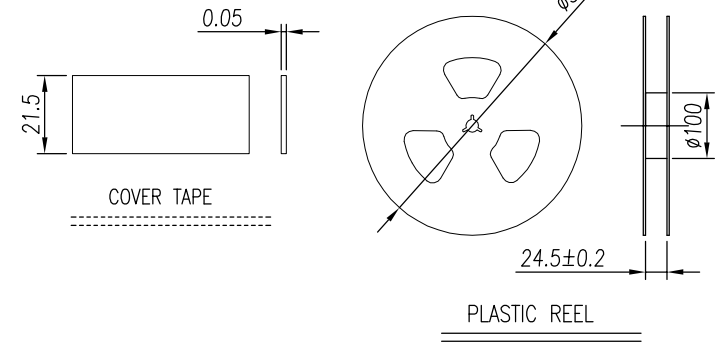
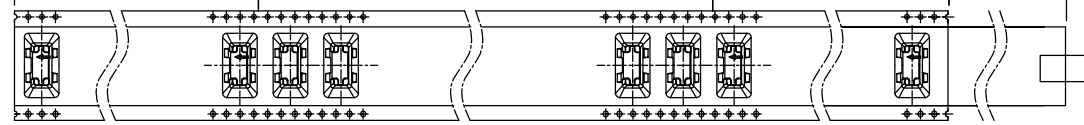
REV.	REVISION RECORD	DATE	UNIT:mm	GENERAL TOLERANCES		SCALE:	NAME	DATE	PART.NO:	DWG.NO:	TITLE:	REV: A0	SHEET: 1/2
A0	NEW RELEASE	21.01.13		LINEAR	ANGLES	1:1							
				0.0±0.35	X°REF±6'	APPROVED	Wang_jr	21.01.13	WLT2F0-062XX0165	ENDE05	TYPE C 6P/F On Board Vertical 5.5H SMT		
				0.00±0.25	X°±3'	DESIGNER	Han_Gao	21.01.13					
			SIZE: A4	0.000±0.10	X°X' ±2'	DRAWN	Zijun_Huang	21.01.13					



The product using material and processing must conform to the "WL-PZ-001"HSF technical standard control requirements

RoHS

160mmMIN.(15CAV. EMPTY) LOADING 600 PCS 300mmMIN.(20CAV. EMPTY) 100mmMIN.
 END SECTION PRODUCT PACAKGE SECTION LEADER SECTION COVER TAPE



- NOTES 2:
- MATERIAL:
 - 1.1 REEL AND AXLE: PS,BLUE
 - 1.2 CARRIER TAPE: PET, LUCID
 - 1.3 COVER TAPE: PS,TRANSPARENT
 - 1.4 SHIPPING CARTON: CORRUGATED FIBER
 - DIMENSION:
 - 2.1 REEL: W=24.5, $\phi A=330$
 - 2.2 CARRIER TAPE: T=0.50 W=24.0
 - 2.3 COVER TAPE: T=0.05 W=21.5
 - 2.4 SHIPPING CARTON: L=335mm, W=335mm, H=425mm
 - QUANTITY :
 - 3.1 PRIMAY PACKING: 600 PCS/REEL
 - 3.2 SECONARY PACKING: 12 REELS/CARTON(7200PCS/CARTON)
 - PEELING RESISTANCE: 0.1~1.3N
 - 4.1 PEELING SPEED: 300mm/minutes
 - 4.2 PEELING ANGLE: 165° ~180°

REV.	REVISION RECORD	DATE		GENERAL TOLERANCES		SCALE: 1:1	NAME	DATE	PART.NO:	DWG.NO:	
AO	NEW RELEASE	21.01.13		LINEAR	ANGLES	APPROVED	Wang_jr	21.01.13	WLT2FO-062XX0165	ENDE05	
			UNIT:mm	0.00±0.25	X'±3'	DESIGNER	Han_Gao	21.01.13	TITLE:		REV: A0
			SIZE: A4	0.000±0.10	X'X' ±2'	DRAWN	Zijun_Huang	21.01.13	TYPE C 6P/F On Board Vertical 5.5H SMT		