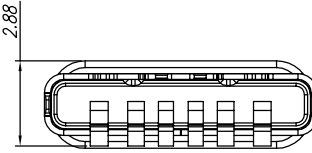
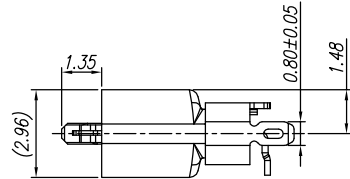
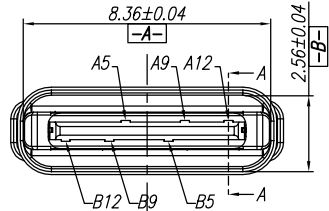
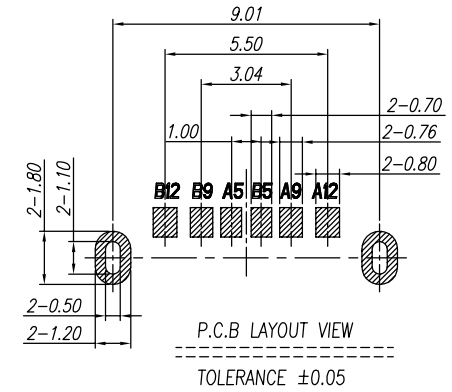
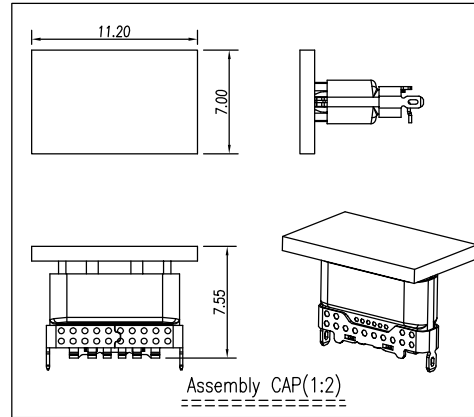
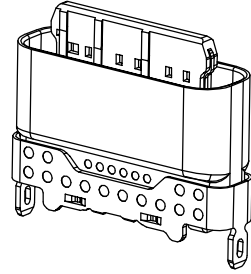
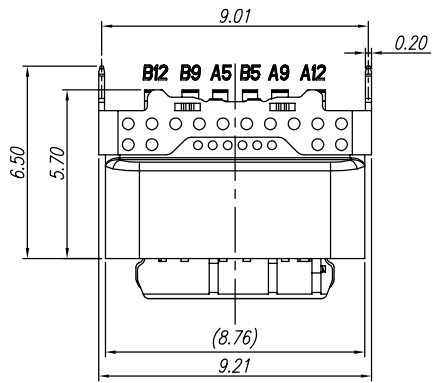


The product using material and processing must conform to the "WL-PZ-001"HSF technical standard control requirements

RoHS



NOTE:

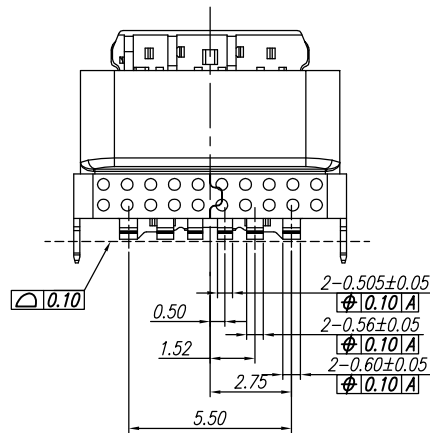
- MATERIAL SPECIFICATION:
 - HOUSING:LCP BLACK UL94V-0
 - CONTACTS:COPPER ALLOY
 - MID PLATE: STAINLESS STEEL
 - SHELL: STAINLESS STEEL
- PLATING SPECIFICATION:
 - CONTACTS:
 - Ni 50u" MIN. UNDER PLATED OVER ALL.
 - Au PLATED ON THE FUNCTIONAL AREA OF CONTACT.
 - MID PLATE:
 - CLEAR ONLY
 - FRONT SHELL:
 - Ni 50u" MIN. UNDER PLATED OVER ALL.
- MECHANICAL PERFORMANCE:
 - INSERTION FORCE: 0.5~2.0kgf.
 - REMOVAL FORCE: 0.8~2.0kgf.
 - DURABILITY: 10000 CYCLES.
- ELECTRICAL PERFORMANCE:
 - CURRENT RATING:3.0A
VOLTAGE RATING:20V MAX
 - CONTACT RESISTNACE: 30mΩ MAX
 - INSULATION RESISTANCE: 100MΩ MIN
 - WITHSTANDING VOLTAGE: 100V AC r.m.s.
- ENVIRONMENTAL PERFORMANCE:
 - OPERATING TEMPERATURE: -40°C~+85°C.
- WATER PROOFNESS:
 - THIS PRODUCT IS BASED ON IPX8MA

PIN ASSIGNMENT

Pin	Signal Name	Pin	Signal Name	Pin	Signal Name	Pin	Signal Name
A1		B12	GND	A7		B6	
A2		B11		A8		B5	CC2
A3		B10		A9	VBUS	B4	
A4		B9	VBUS	A10		B3	
A5	CC1	B8		A11		B2	
A6		B7		A12	GND	B1	

PART.NO.:
WLT2F0-06 2 X X 0 175

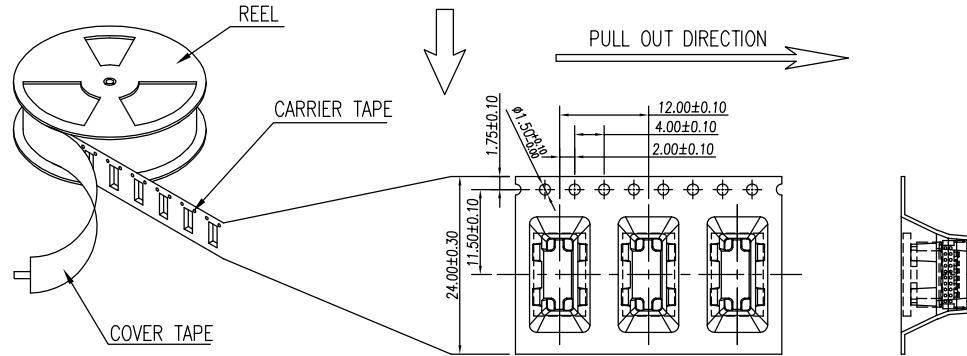
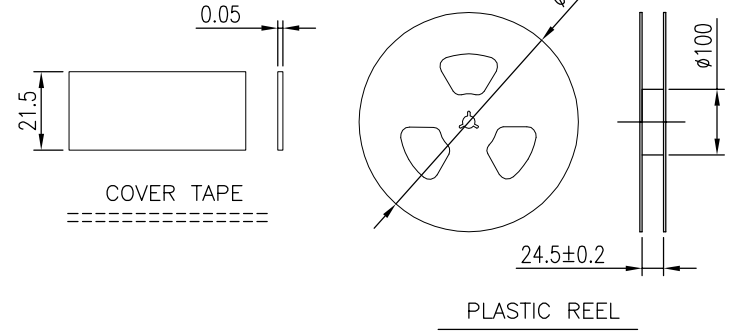
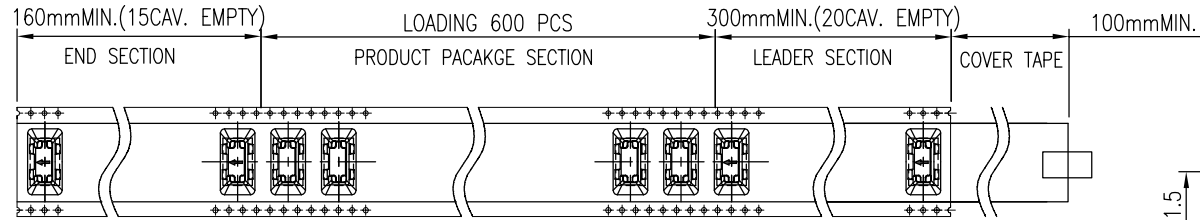
PLATING: COLOUR:
1-G/F A-BLACK
2-Au 3u"
5-Au 15u"
6-Au 30u"



REV.	REVISION RECORD	DATE	GENERAL TOLERANCES		SCALE:	NAME	DATE	PART.NO:	DWG.NO:	
A0	NEW RELEASE	21.01.13	LINEAR	ANGLES	1:1	Wang_jr	21.01.13	WLT2F0-062XX0175	ENDE05	
			0.0±0.35	X'REF±6'	APPROVED	Han_Gao	21.01.13	TITLE:		
			UNIT:mm	X'±3'	DESIGNER	Zijun_Huang	21.01.13	TYPE C 6P/F 180° SMT H=5.7mm IPX8		
			SIZE: A4	0.000±0.10	DRAWN				REV: A0 SHEET: 1/2	

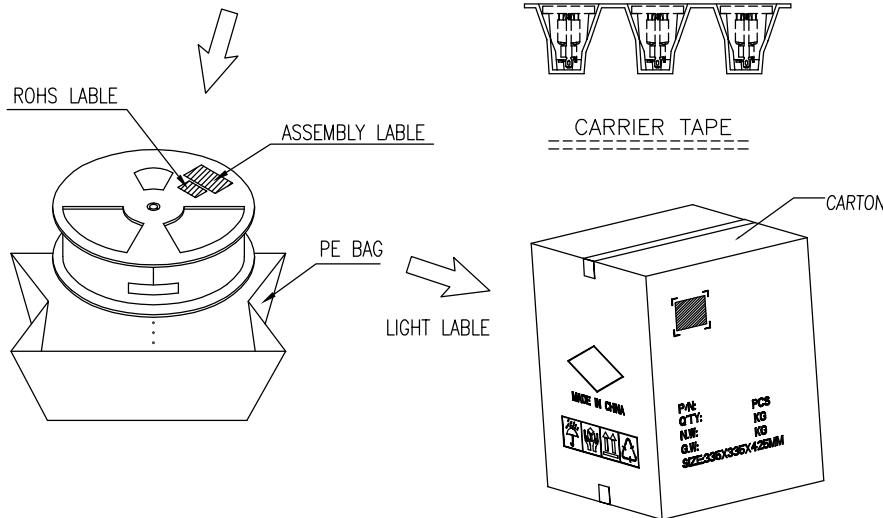
The product using material and processing must conform to the "WL-PZ-001"HSF technical standard control requirements

RoHS



NOTES 2:

1. MATERIAL:
 - 1.1 REEL AND AXLE: PS,BLUE
 - 1.2 CARRIER TAPE: PET, LUCID
 - 1.3 COVER TAPE: PS,TRANSPARENT
 - 1.4 SHIPPING CARTON: CORRUGATED FIBER
2. DIMENSION:
 - 2.1 REEL: W=24.5, ϕ A=330
 - 2.2 CARRIER TAPE: T=0.50 W=24.0
 - 2.3 COVER TAPE: T=0.05 W=21.5
 - 2.4 SHIPPING CARTON: L=335mm, W=335mm, H=425mm
3. QUANTITY :
 - 3.1 PRIMAY PACKING: 600 PCS/REEL
 - 3.2 SECONARY PACKING: 12 REELS/CARTON(7200PCS/CARTON)
4. PEELING RESISTANCE: 0.1~1.3N
 - 4.1 PEELING SPEED: 300mm/minutes
 - 4.2 PEELING ANGLE: 165° ~180°



REV.	REVISION RECORD	DATE		GENERAL TOLERANCES		SCALE: 1:1	NAME	DATE	PART.NO: WLT2FO-062XX0175	DWG.NO: ENDE05	 WanLian Teconology Co., Ltd
A0	NEW RELEASE	21.01.13		LINEAR	ANGLES	APPROVED	Wang_jr	21.01.13			
			UNIT:mm	0.00±0.25	X'±3'	DESIGNER	Han_Gao	21.01.13	TITLE: TYPE C 6P/F 180° SMT H=5.7mm IPX8		
			SIZE: A4	0.000±0.10	X'X' ±2'	DRAWN	Zijun_Huang	21.01.13			