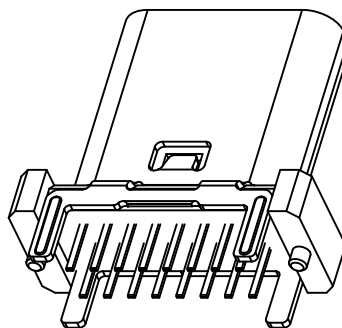
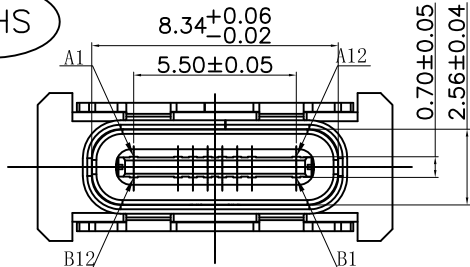


The product using material and processing must conform to the "WI-PZ-001"HSF technical standard control requirements

RoHS



NOTE:

1.MATERIAL SPECIFICATION:

- 1-1.HOUSING:LCP BLACK UL94 V-0
- 1-2.CONTACTS:COPPER ALLOY C7025
- 1-3.MID PLATE:STAINLESS STEEL
- 1-4.SHELL: STAINLESS STEEL

2.PLATING SPECIFICATION:

- 2-1.CONTACTS:
Ni UNDER PLATED OVER ALL.
Au PLATED ON THE FUNCTIONAL AREA OF CONTACT.
- 2-2.MID PLATE: CLEAR ONLY
- 2-3.FRONT SHELL:Ni UNDER PLATED OVER ALL.

3.MECHANICAL PERFORMANCE:

- 3-1.INSERTION FORCE: 2.0kgf MAX
- 3-2.REMOVAL FORCE: 0.8kgf MIN
- 3-3.DURABILITY: 10000 CYCLES.

4.ELECTRICAL PERFORMANCE:

- 4-1. CURRENT RATING:5.0A
VOLTAGE RATING:20V MAX
- 4-2. CONTACT RESISTANCE: 40m Ohm Max.
- 4-3.INSULATION RESISTANCE: 100MΩ MIN
- 4-4.WITHSTANDING VOLTAGE: 100V AC r.m.s.

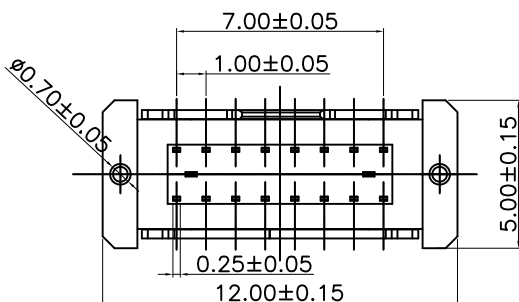
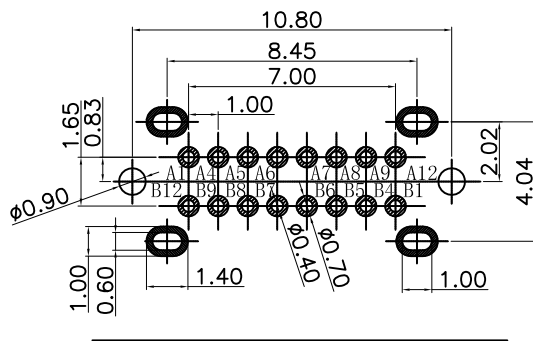
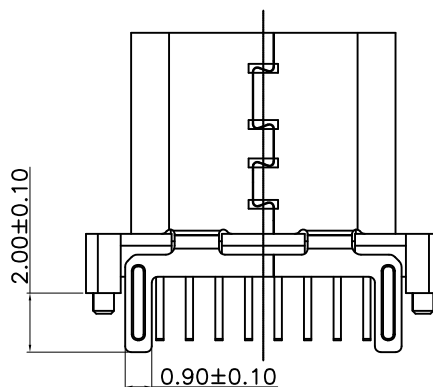
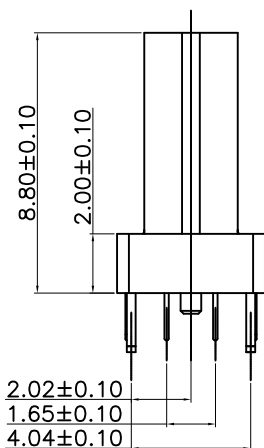
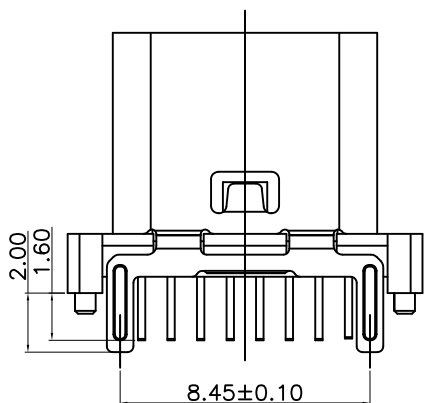
5.ENVIRONMENTAL PERFORMANCE:

OPERATING TEMPERATURE: -25°C~+85°C.

6.P/N:

WLT2F0-16 1 X X 0191

PLATED: 1.G/F
2.Au 3u"
5.Au 15u"
6.Au 30u"
COLOUR:
A.BLACK

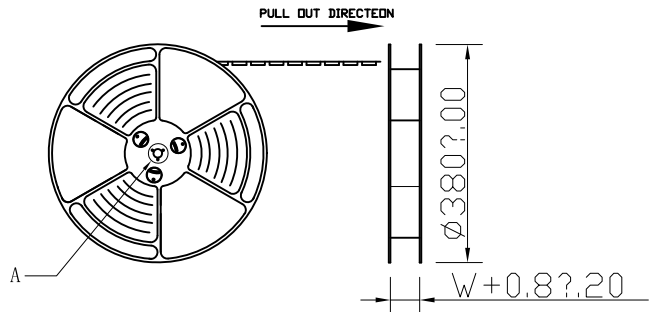


A1	A2	A3	A4	A5	A6	A7	A8	A9	A10	A11	A12
GND			VBUS	CC1	D+	D-	SBU1	VBUS			GND
GND			VBUS	SBU2	D-	D+	CC2	VBUS			GND
B12	B11	B10	B9	B8	B7	B6	B5	B4	B3	B2	B1

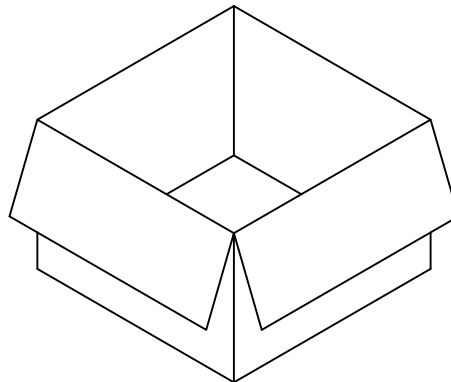
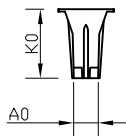
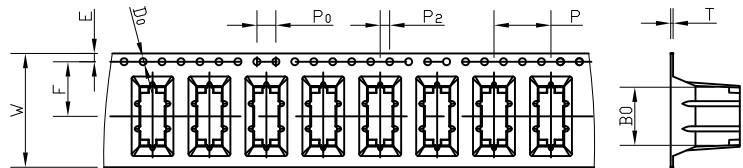
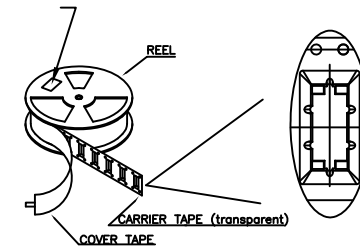
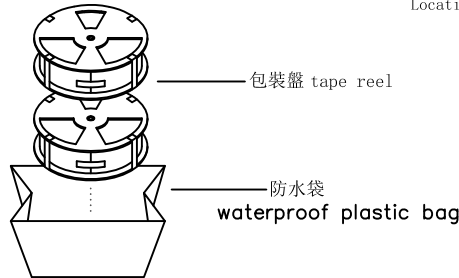
REV.	REVISION RECORD	DATE		GENERAL TOLERANCES		SCALE: 1:1	NAME	DATE	PART.NO:	DWG.NO:	
A0	NEW RELEASE	21.01.13		LINEAR	ANGLES	APPROVED	Wang_jr	21.01.13	WLT2F0-161XX0191	ENDE05	
			0.0±0.35	X'REF±6°	DESIGNER	Han_Gao	21.01.13	TITLE:		REV: A0	
			UNIT:mm	0.00±0.25	X'±3°	DRAWN	Zijun_Huang	21.01.13	Type C 16P/F 180° DIP L=8.8mm		
			SIZE: A4	0.000±0.10	X'X' ±2°						

The product using material and processing must conform to the "WI-PZ-001" HSF technical standard control requirements

RoHS



at small positioning hole of the carrier tape side.
 標籤黏貼處 (朝捲裝包材的小定位孔一側)
 Location of label sticking (label)



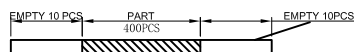
紙箱: 390mmX390mmX310mm

NOTE:

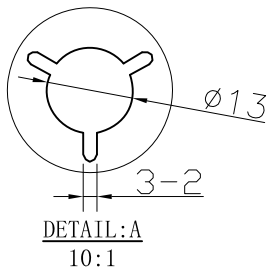
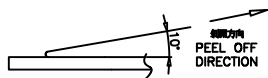
1. 每捲包裝數量及每箱裝箱數量如左下表格。
Packing q'ty of each reel & carton as below table shown.
2. 將裝滿產品的卷盤放入紙箱并以膠帶封口
Put reels in the carton and use adhesive tape to seal up.

NOTES

1. 帶子引導長度
LEAD TAPE LENGTH
出料方向
PULL OUT DIRECTEON



2. 上帶 剝力力為: 0.1~1.3N(10.2gf~130gf)
PEELING OFF FORCE OF TOP TAPE: 0.1~1.3N(10.2gf~130gf)
出貨'運輸過程中一定注意:
THIS REQUIREMENT SHOULD BE APPLIED AT SHIPMENT:
卷帶在運輸過程中不能散開
PEELING OFF SHOULD NOT BE ALLOWED DURING TRANSPORTATION



卷帶	規格: $\phi 380\text{mm}$	包裝數量: 600PCS
紙箱	規格: 390mmX390mmX310mm	包裝數量: 10盤 (6000PCS)

W	24.00±0.3
A0	5.24±0.1
B0	12.30±0.1
K0	13.35±0.1
P	12.00±0.1
F	11.50±0.1
E	1.75±0.1
D0	1.50±0.1
P0	4.00±0.1
P2	2.00±0.1
T	0.50±0.05

REV.	REVISION RECORD	DATE	GENERAL TOLERANCES		SCALE:	NAME	DATE	PART.NO:	DWG.NO:
AO	NEW RELEASE	21.01.13	LINEAR	ANGLES	1:1	Wang_jr	21.01.13	WLT2FO-161XX0191	ENDE05
			0.0±0.35	X'REF±6°	APPROVED	Han_Gao	21.01.13	TITLE: Type C 16P/F 180° DIP L=8.8mm	REV: A0 SHEET: 2/2
			0.00±0.25	X'±3°	DESIGNER	Zijun_Huang	21.01.13		
			0.000±0.10	X'X' ±2°	DRAWN				

万连科技
WanLian Teconology Co., Ltd