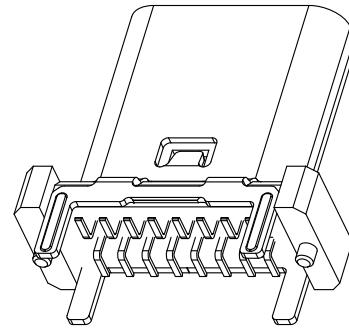
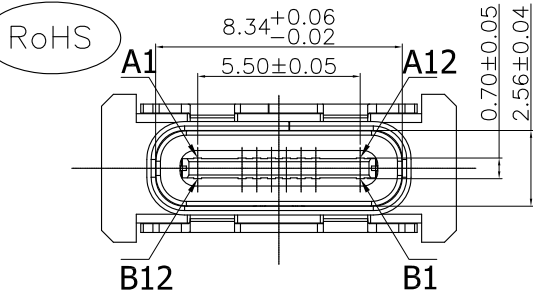


The product using material and processing must conform to the "WI-PZ-001"HSF technical standard control requirements



- NOTE:
- MATERIAL SPECIFICATION:
 - HOUSING:LCP BLACK UL94 V-0
 - CONTACTS:COPPER ALLOY C7025
 - MID PLATE:STAINLESS STEEL
 - SHELL: STAINLESS STEEL
 - PLATING SPECIFICATION:
 - CONTACTS:
 - Ni UNDER PLATED OVER ALL.
 - Au PLATED ON THE FUNCTIONAL AREA OF CONTACT.
 - MID PLATE: CLEAR ONLY
 - FRONT SHELL:Ni UNDER PLATED OVER ALL.
 - MECHANICAL PERFORMANCE:
 - INSERTION FORCE: 2.0kgf MAX
 - REMOVAL FORCE: 0.8kgf MIN
 - DURABILITY: 10000 CYCLES.
 - ELECTRICAL PERFORMANCE:
 - CURRENT RATING:5.0A
VOLTAGE RATING:20V MAX
 - CONTACT RESISTANCE: 40m Ohm Max.
 - INSULATION RESISTANCE: 100MΩ MIN
 - WITHSTANDING VOLTAGE: 100V AC r.m.s.
 - ENVIRONMENTAL PERFORMANCE:
 - OPERATING TEMPERATURE: -25°C~+85°C.
 - P/N:

WLT2F0-16 2 X X 0196

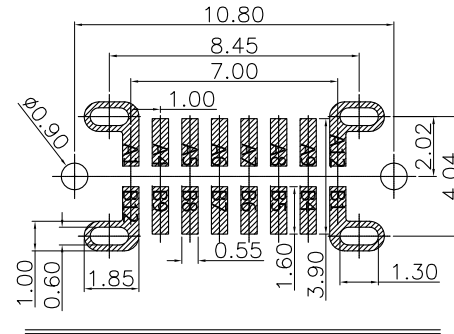
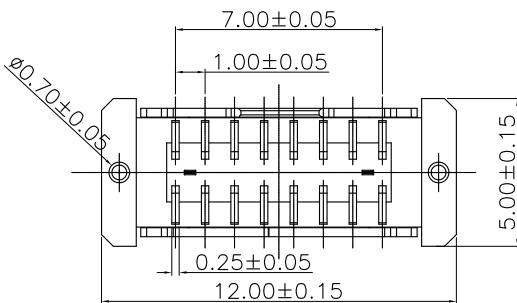
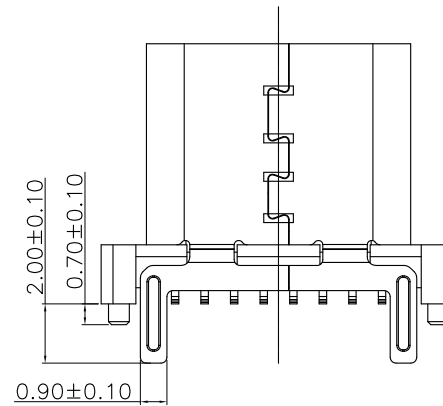
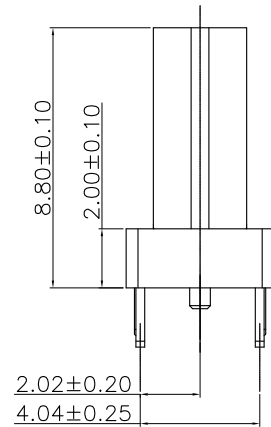
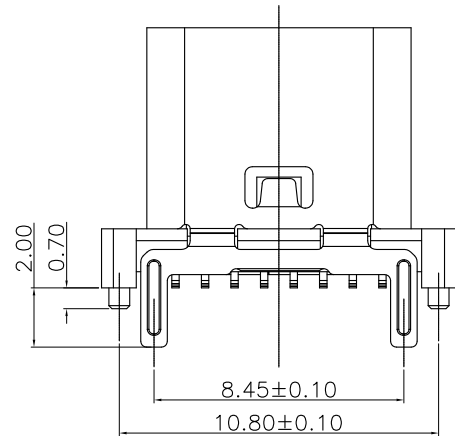
PLATED: COLOUR:

1-G/F A-BLACK

2-Au 3u"

5-Au 15u"

6-Au 30u"

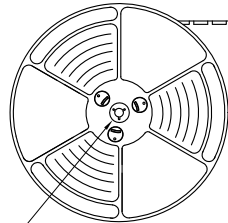


A1	A2	A3	A4	A5	A6	A7	A8	A9	A10	A11	A12
GND			VBUS	CC1	D+	D-	SBU1	VBUS			GND
GND			VBUS	SBU2	D-	D+	CC2	VBUS			GND
B12	B11	B10	B9	B8	B7	B6	B5	B4	B3	B2	B1

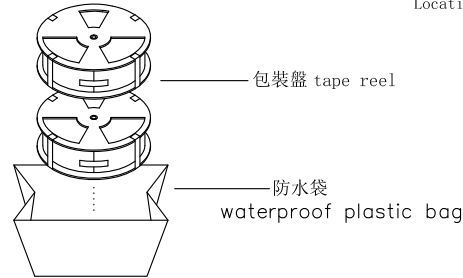
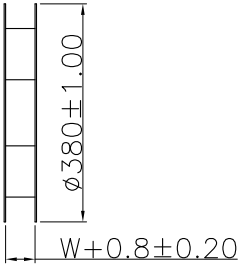
REV.	REVISION RECORD	DATE		GENERAL TOLERANCES		SCALE:	NAME	DATE	PART.NO:	DWG.NO:	 WanLian Teconology Co., Ltd
A0	NEW RELEASE	21.01.13		LINEAR	ANGLES	1:1	Wang_jr	21.01.13			
			0.0±0.35	X'REF±6°	APPROVED	Han_Gao	21.01.13	TITLE:			
			0.00±0.25	X'±3°	DESIGNER	Zijun_Huang	21.01.13	Type C 16P/F 180° SMT L=8.8mm			
			UNIT:mm	X'X' ±2°	DRAWN					REV: A0	SHEET: 1/2
			SIZE: A4	0.000±0.10							

The product using material and processing must conform to the "WI-PZ-001"HSF technical standard control requirements

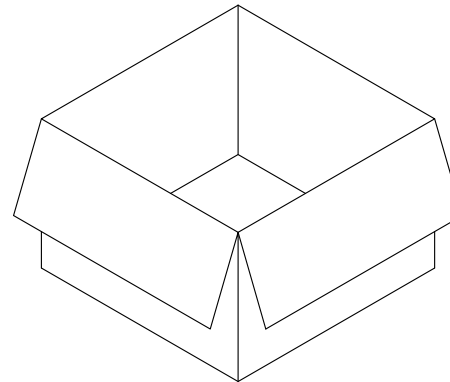
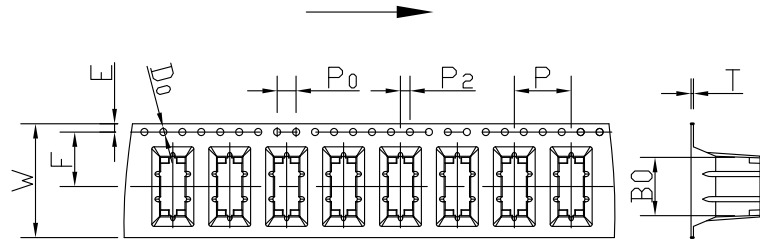
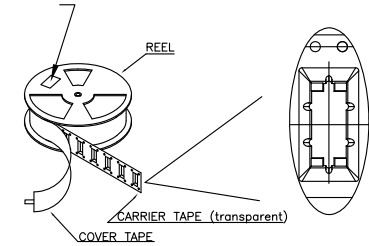
RoHS



出料方向
PULL OUT DIRECTEON



at small positioning hole of the carrier tape side.
標籤黏貼處 (朝捲裝包材的小定位孔一側)
Location of label sticking (label)



紙箱: 390mmX390mmX310mm

NOTE:

- 每捲包裝數量及每箱裝箱數量如左下表格。
Packing q'ty of each reel & carton as below table shown.
- 將裝滿產品的卷盤放入紙箱并以膠帶封口
Put reels in the carton and use adhesive tape to seal up.

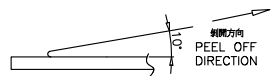
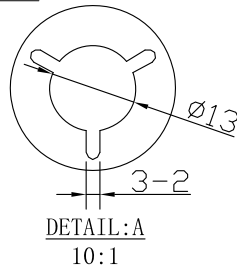
W	24.00±0.3
A0	5.24±0.1
B0	12.30±0.1
K0	10.55±0.1
P	12.00±0.1
F	11.50±0.1
E	1.75±0.1
D0	1.50±0.1
P0	4.00±0.1
P2	2.00±0.1
T	0.50±0.05

NOTES

- 帶子引導長度
LEAD TAPE LENGTH
出料方向
PULL OUT DIRECTEON



- 上帶 剝力力為: 0.1~1.3N(10.2gf~130gf)
PEELING OFF FORCE OF TOP TAPE: 0.1~1.3N(10.2gf~130gf)
出貨運輸過程中一定注意:
THIS REQUIREMENT SHOULD BE APPLIED AT SHIPMENT:
卷帶在運輸過程中不能散開
PEELING OFF SHOULD NOT BE ALLOWED DURING TRANSPORTATION



卷帶	規格: $\phi 380\text{mm}$	包裝數量: 600PCS
紙箱	規格: 390mmX390mmX310mm	包裝數量: 10盘(6000PCS)

REV.	REVISION RECORD	DATE		GENERAL TOLERANCES		SCALE: 1:1	NAME	DATE	PART.NO:	DWG.NO:	
A0	NEW RELEASE	21.01.13		LINEAR	ANGLES	APPROVED	Wang_jr	21.01.13	WLT2FO-162XX0196	ENDE05	
			UNIT:mm	0.00±0.25	X°±3°	DESIGNER	Han_Gao	21.01.13	TITLE:		REV: A0
			SIZE: A4	0.000±0.10	X°X' ±2°	DRAWN	Zijun_Huang	21.01.13	Type C 16P/F 180° SMT L=8.8mm		SHEET: 2/2