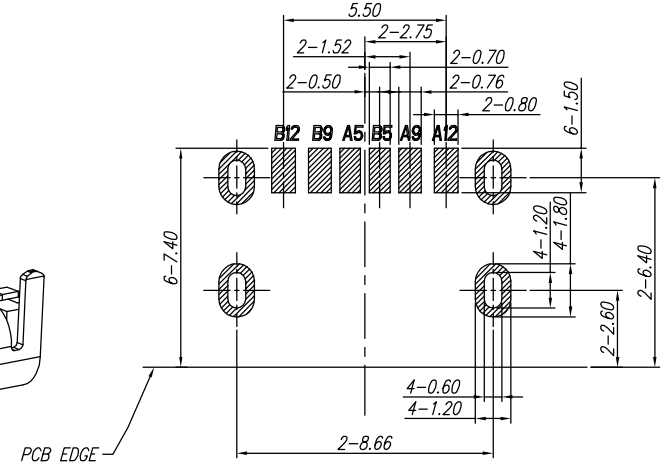
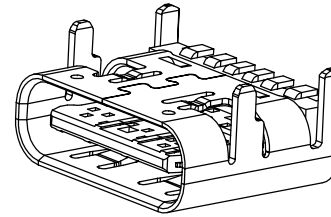
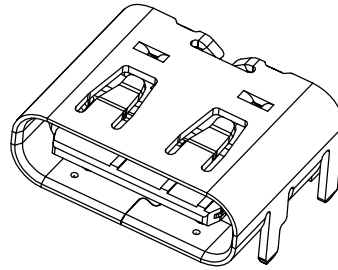
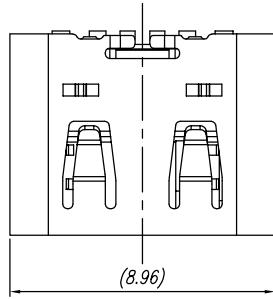


The product using material and processing must conform to the "WL-PZ-001"HSF technical standard control requirements

RoHS



P.C.B LAYOUT VIEW

TOLERANCE ± 0.05

NOTE:

1.MATERIAL SPECIFICATION:

1-1.HOUSING:LCP BLACK UL94V-0

1-2.CONTACTS:COPPER ALLOY

1-3.MID PLATE: STAINLESS STEEL

1-4.SHELL: STAINLESS STEEL

2.PLATING SPECIFICATION:

2-1.CONTACTS:

Ni 50u" MIN. UNDER PLATED OVER ALL.

Au PLATED ON THE FUNCTIONAL AREA OF CONTACT.

2-2.MID PLATE:

CLEAR ONLY

2-3.FRONT SHELL:

Ni 50u" MIN. UNDER PLATED OVER ALL.

3.MECHANICAL PERFORMANCE:

3-1.INSERTION FORCE: 0.5~2.0kgf.

3-2.REMOVAL FORCE: 0.8~2.0kgf.

3-3.DURABILITY: 10000 CYCLES.

4.ELECTRICAL PERFORMANCE:

4-1. CURRENT RATING:3.0A

VOLTAGE RATING:20V MAX

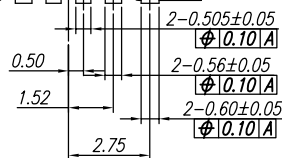
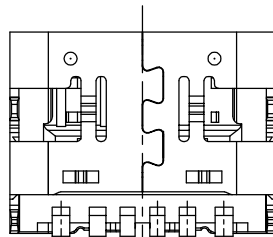
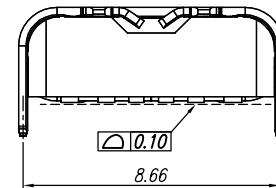
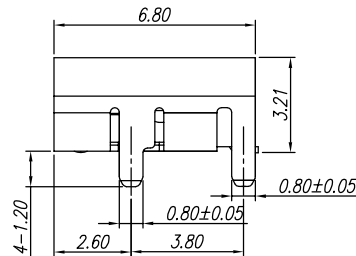
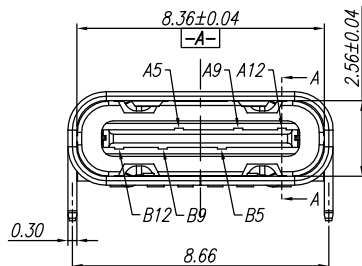
4-2.CONTACT RESISTNACE: 30mΩ MAX

4-3.INSULATION RESISTANCE: 100MΩ MIN

4-4.WITHSTANDING VOLTAGE: 100V AC r.m.s.

5.ENVIRONMENTAL PERFORMANCE:

OPERATING TEMPERATURE: -40°C~+85°C.



PIN ASSIGNMENT

| Pin | Signal Name | Pin | Signal Name | Pin | Signal Name | Pin | Signal Name |
|-----|-------------|-----|-------------|-----|-------------|-----|-------------|
| A1 | GND | B12 | GND | A7 | D- | B6 | D+ |
| A2 | TX1+ | B11 | RX1- | A8 | SBU1 | B5 | CC2 |
| A3 | TX1- | B10 | RX1+ | A9 | VBUS | B4 | VBUS |
| A4 | VBUS | B9 | VBUS | A10 | RX2- | B3 | TX2+ |
| A5 | CC1 | B8 | SBU2 | A11 | RX2+ | B2 | TX2+ |
| A6 | D+ | B7 | D- | A12 | GND | B1 | GND |

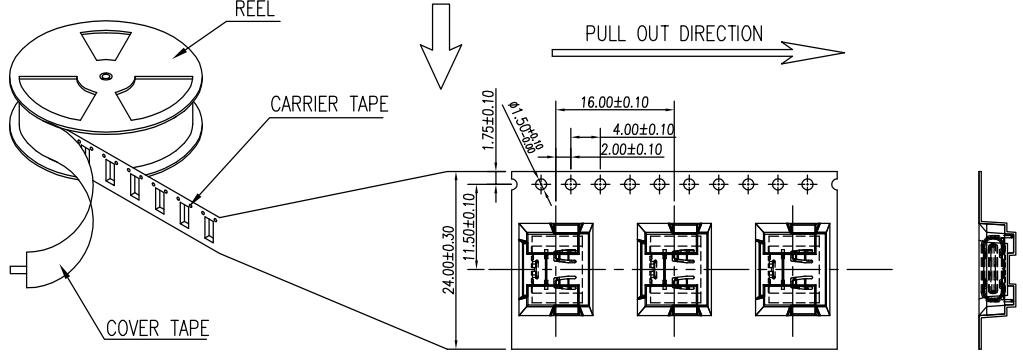
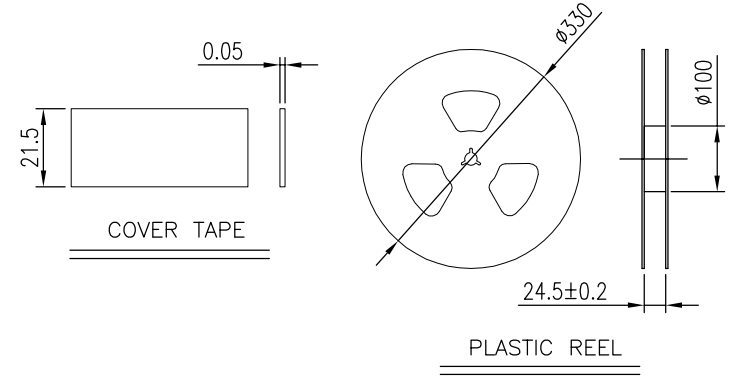
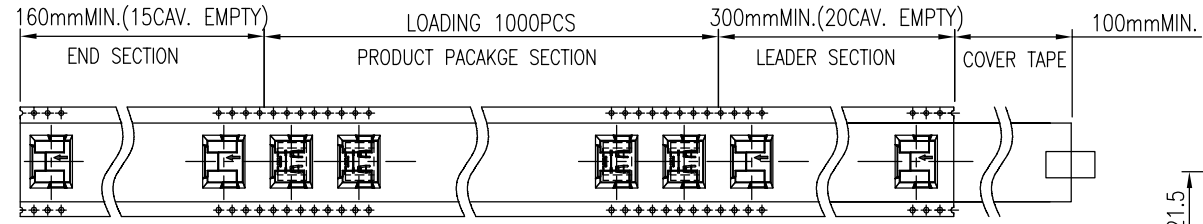
PART.NO.:
WLT2F9-06 2 X X 0 170

PLATING: — COLOUR:
1-G/F A-BLACK
2-Au 3u"
5-Au 15u"
6-Au 30u"

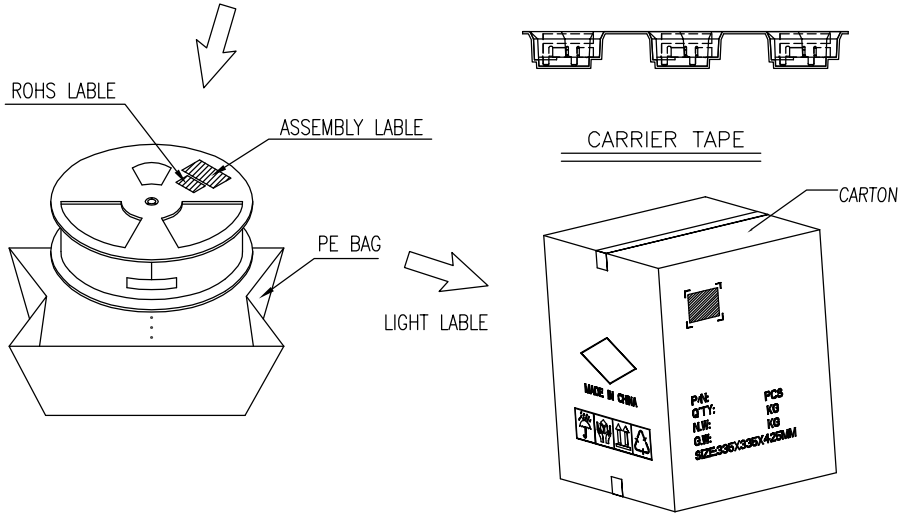
| REV. | REVISION RECORD | DATE | GENERAL TOLERANCES | | SCALE: | NAME | DATE | PART.NO: | DWG.NO: |  WanLian Teconology Co., Ltd |
|------|-----------------|----------|--------------------|------------|----------|-------------|----------|----------------------------------|--------------------|--|
| A0 | NEW RELEASE | 21.01.13 | LINEAR | ANGLES | 1:1 | Wang_jr | 21.01.13 | WLT2F9-062XX0170 | ENDE05 | |
| | | | 0.0±0.35 | X'REF±6' | APPROVED | Han_Gao | 21.01.13 | TITLE: | | |
| | | | UNIT:mm | X'±3' | DESIGNER | Zijun_Huang | 21.01.13 | TYPE C 6P/F SMT On Board L=6.8mm | | |
| | | | SIZE: A4 | 0.000±0.10 | DRAWN | | | | REV: A0 SHEET: 1/2 | |

The product using material and processing must conform to the "WL-PZ-001"HSF technical standard control requirements

RoHS



- NOTES 2:
- MATERIAL:
 - 1.1 REEL AND AXLE: PS,BLUE
 - 1.2 CARRIER TAPE: PET, LUCID
 - 1.3 COVER TAPE: PS,TRANSPARENT
 - 1.4 SHIPPING CARTON: CORRUGATED FIBER
 - DIMENSION:
 - 2.1 REEL: W=24.5, $\phi A=330$
 - 2.2 CARRIER TAPE: T=0.30 W=24.0
 - 2.3 COVER TAPE: T=0.05 W=21.5
 - 2.4 SHIPPING CARTON: L=335mm, W=335mm, H=425mm
 - QUANTITY :
 - 3.1 PRIMAY PACKING: 1000PCS/REEL
 - 3.2 SECONARY PACKING: 12 REELS/CARTON(12000PCS/CARTON)
 - PEELING RESISTANCE: 0.1~1.3N
 - 4.1 PEELING SPEED: 300mm/minutes
 - 4.2 PEELING ANGLE: 165° ~180°



| | | | | | | | | | | | |
|------|-----------------|----------|----------|--------------------|----------|------------|-------------|----------|--|-------------------|--|
| REV. | REVISION RECORD | DATE | | GENERAL TOLERANCES | | SCALE: 1:1 | NAME | DATE | PART.NO: WLT2F9-062XX0170 | DWG.NO: ENDE05 | |
| AO | NEW RELEASE | 21.01.13 | | LINEAR | ANGLES | APPROVED | Wang_jr | 21.01.13 | | | |
| | | | UNIT:mm | 0.00±0.25 | X'±3' | DESIGNER | Han_Gao | 21.01.13 | TITLE: TYPE C 6P/F SMT On Board L=6.8mm | | |
| | | | SIZE: A4 | 0.000±0.10 | X'X' ±2' | DRAWN | Zijun_Huang | 21.01.13 | REV: A0 | SHEET: 2/2 | |