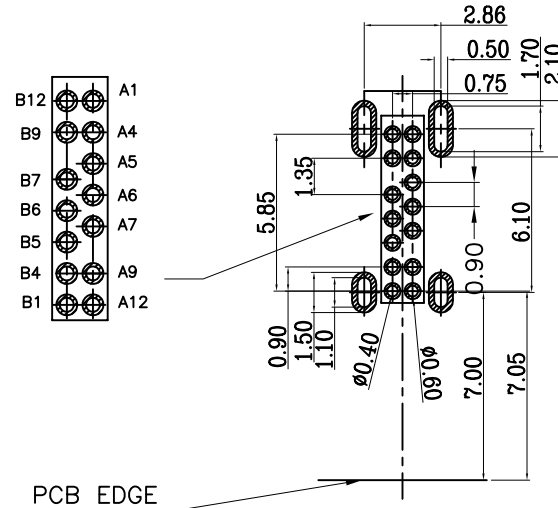
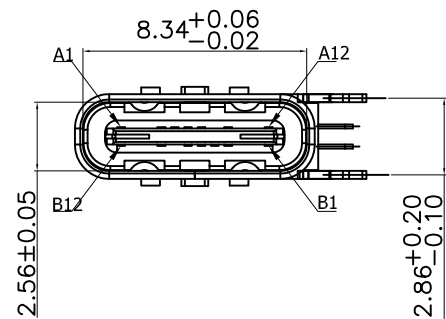
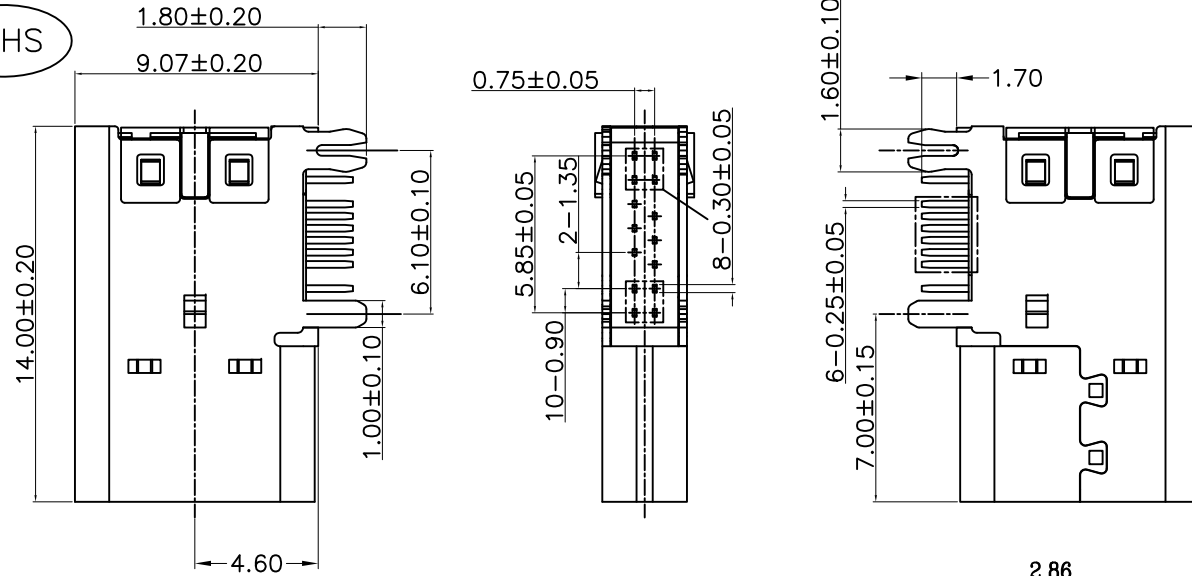


The product using material and processing must conform to the "WI-PZ-001"HSF technical standard control requirements

RoHS



RECOMMENDED P.C.B. LAYOUT  
TOLERANCE UNSPECIFIED ±0.05mm

NOTE:  
1.MATERIAL SPECIFICATION:  
1-1.HOUSING:LCP BLACK UL94 V-0  
1-2.CONTACTS:COPPER ALLOY C7025  
1-3.MID PLATE:STAINLESS STEEL  
1-4.SHELL: STAINLESS STEEL  
1-5.CAP: STAINLESS STEEL  
2.PLATING SPECIFICATION:  
2-1.CONTACTS:  
Ni UNDER PLATED OVER ALL.  
Au PLATED ON THE FUNCTIONAL AREA OF CONTACT.  
2-2.MID PLATE: CLEAR ONLY  
2-3.FRONT SHELL:Ni UNDER PLATED OVER ALL.  
3.MECHANICAL PERFORMANCE:  
3-1.INSERTION FORCE: 2.0kgf MAX  
3-2.REMOVAL FORCE: 0.8kgf MIN  
3-3.DURABILITY: 10000 CYCLES.  
4.ELECTRICAL PERFORMANCE:  
4-1. CURRENT RATING:5.0A  
VOLTAGE RATING:20V MAX  
4-2. CONTACT RESISTANCE: 40m Ohm Max.  
4-3.INSULATION RESISTANCE: 100MΩ MIN  
4-4.WITHSTANDING VOLTAGE: 100V AC r.m.s.  
5.ENVIRONMENTAL PERFORMANCE:  
OPERATING TEMPERATURE: -25°C~+85°C.  
6.P/N:

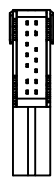
WLT2F9-14 1 X X 0200  
PLATED: 1.G/F COLOUR: A.BLACK  
2.Au 3u"  
5.Au 15u"  
6.Au 30u"

A1	A2	A3	A4	A5	A6	A7	A8	A9	A10	A11	A12
GND			VBUS	CC1	D+	D-		VBUS			GND
GND			VBUS		D-	D+	CC2	VBUS			GND
B12	B11	B10	B9	B8	B7	B6	B5	B4	B3	B2	B1

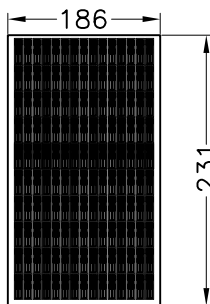
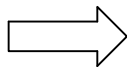
REV.	REVISION RECORD	DATE		GENERAL TOLERANCES		SCALE: 1:1	NAME	DATE	PART.NO:	DWG.NO:	
A0	NEW RELEASE	21.01.13		LINEAR	ANGLES	APPROVED	Wang_jr	21.01.13	WLT2F9-141XX0200	ENDE05	
			UNIT:mm	0.00±0.25	X°±3'	DESIGNER	Han_Gao	21.01.13	TITLE:		REV: A0    SHEET: 1/2
			SIZE: A4	0.000±0.10	X°X' ±2'	DRAWN	Zijun_Huang	21.01.13	Type C 14P/F DIP CH=4.6mm		

The product using material and processing must conform to the "WI-PZ-001"HSF technical standard control requirements

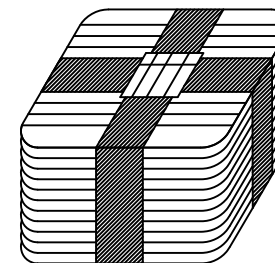
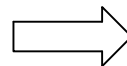
RoHS



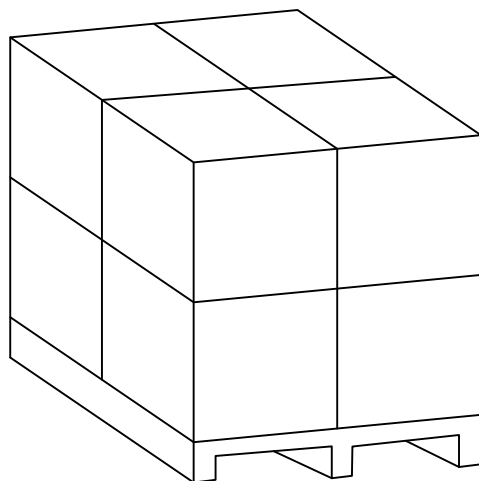
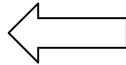
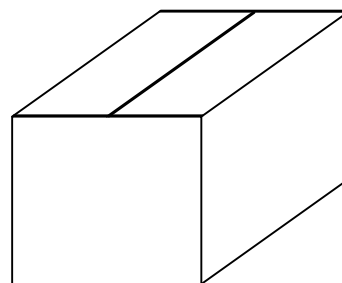
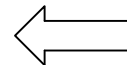
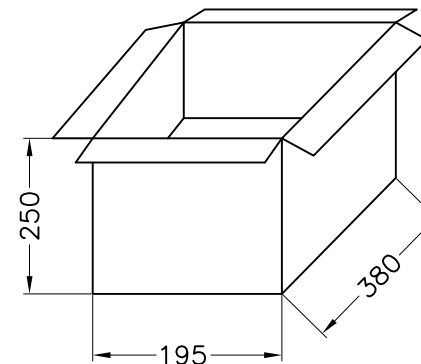
产品



吸塑盘: 150PCS/盘



吸塑盘: 10盘/扎



放置地

- 注释:  
 1.吸塑盒:2.31\*1.86\*0.8/CM  
 2.数量: 150PCS/盒  
 6000PCS/箱  
 3.纸箱: 38\*25\*19.5CM

REV.	REVISION RECORD	DATE		GENERAL TOLERANCES		SCALE: 1:1	NAME	DATE	PART.NO:	DWG.NO:	
AO	NEW RELEASE	21.01.13		LINEAR	ANGLES	APPROVED	Wang_jr	21.01.13	WLT2F9-141XX0200	ENDE05	
			UNIT:mm	0.00±0.25	X°±3'	DESIGNER	Han_Gao	21.01.13	TITLE: Type C 14P/F DIP CH=4.6mm		REV: A0    SHEET: 2/2
			SIZE: A4	0.000±0.10	X'X' ±2'	DRAWN	Zijun_Huang	21.01.13			