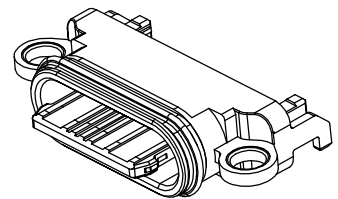
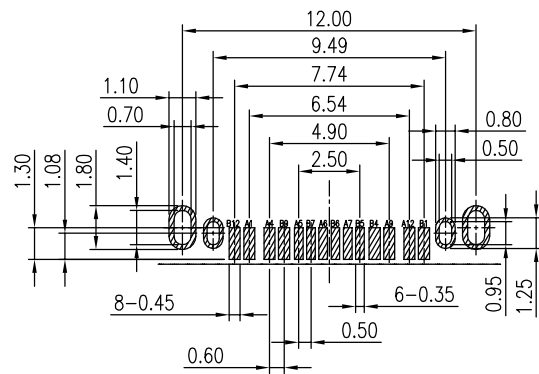
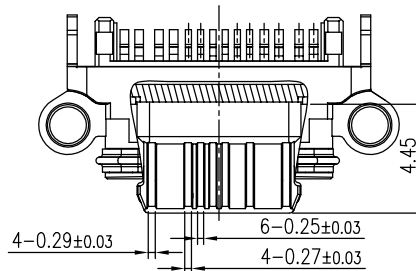
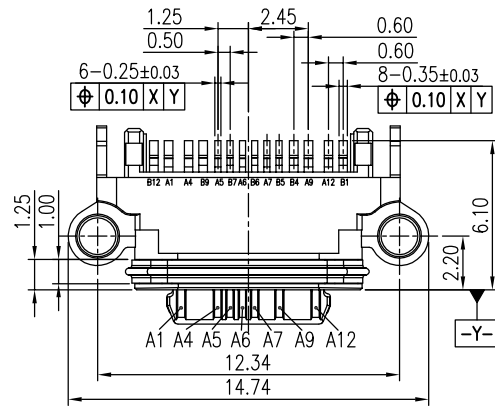
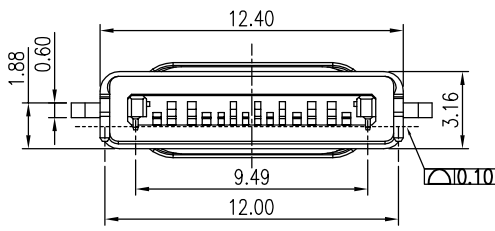
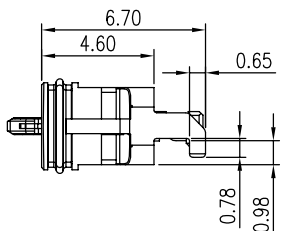
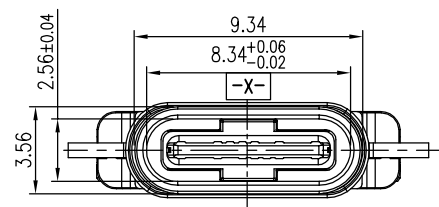


The product using material and processing must conform to the "WL-PZ-001"HSF technical standard control requirements



RECOMMENDED P.C.B. LAYOUT(THICKNESS:0.80MM)
UNLESS STATED TOLERANCE:±0.05(FOR REFERENCE)

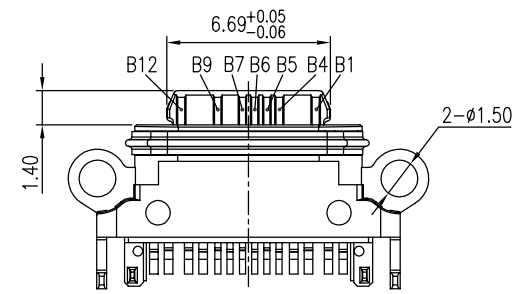


NOTE:
1.MATERIAL SPECIFICATION:
1-1.HOUSING:LCP BLACK UL94V-0
1-2.CONTACTS:COPPER ALLOY
1-3.MID PLATE: STAINLESS STEEL
1-4.SHELL: POWDER METALLURGY
2.PLATING SPECIFICATION:
2-1.CONTACTS:
Ni 50u" MIN. UNDER PLATED OVER ALL.
Au PLATED ON THE FUNCTIONAL AREA OF CONTACT.
2-2.MID PLATE:
CLEAR ONLY
2-3.SHELL:Ni 30u" MIN. UNDER PLATED OVER ALL.
3.MECHANICAL PERFORMANCE:
3-1.INSERTION FORCE: 0.5~2.0kgf.
3-2.REMOVAL FORCE: 0.8~2.0kgf.
3-3.DURABILITY: 10000 CYCLES.
4.ELECTRICAL PERFORMANCE:
4-1. CURRENT RATING:
VBUS AND GND CONTACTS RATED AT 2.5A
PARALLELED FOR A TOTAL OF 8A.
VOLTAGE RATING:20V MAX
4-2.CONTACT RESISTNACE: 30mΩ MAX
4-3.INSULATION RESISTANCE: 100MΩ MIN
4-4.WITHSTANDING VOLTAGE: 100V AC r.m.s.
5.ENVIRONMENTAL PERFORMANCE:
OPERATING TEMPERATURE: -40°C~+85°C.
6.WATER PROOFNESS:
THIS PRODUCT IS BASED ON IPX7

PIN ASSIGNMENT

Pin	Signal Name	Pin	Signal Name	Pin	Signal Name	Pin	Signal Name
A1	GND	B12	GND	A7	Dn1	B6	Dp2
A2	SSTXp1	B11	SSRXp1	A8	SBU1	B5	CC2
A3	SSTXn1	B10	SSRXn1	A9	VBUS	B4	VBUS
A4	VBUS	B9	VBUS	A10	SSRXn2	B3	SSTXn2
A5	CC1	B8	SBU2	A11	SSRXp2	B2	SSTXp2
A6	Dp1	B7	Dn2	A12	GND	B1	GND

PART.NO.:
WLT2F9-14 8 X X 0 151
PLATING: COLOUR:
1-G/F A-BLACK
2-Au 3u"
5-Au 15u"
6-Au 30u"

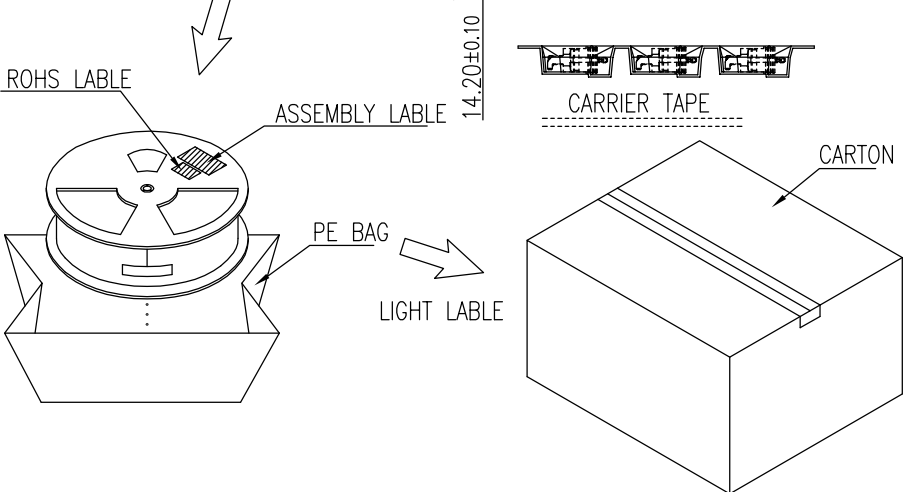
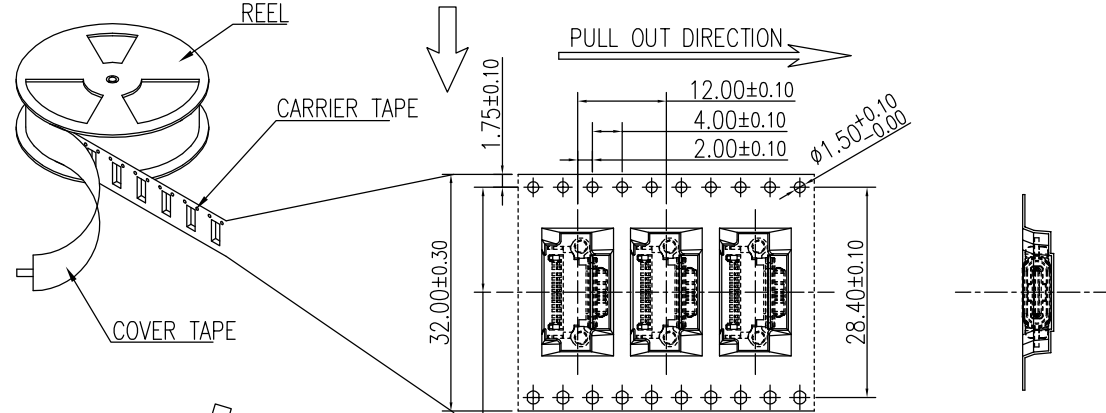
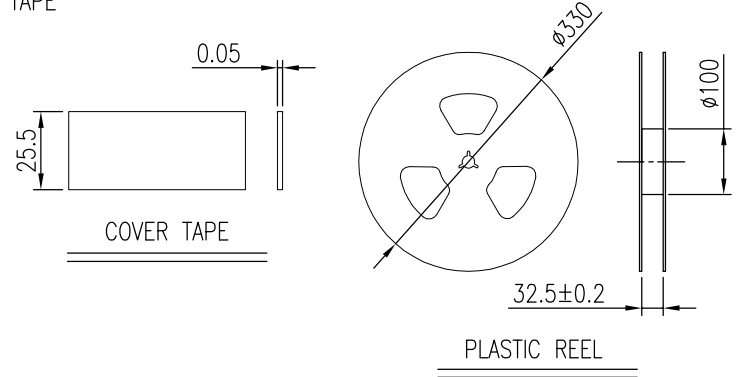
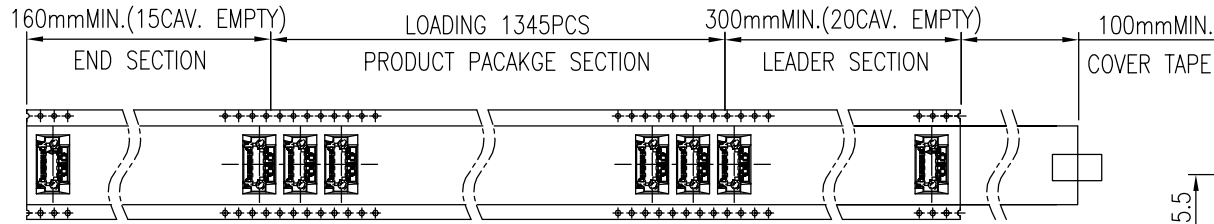


REV.	REVISION RECORD	DATE	UNIT:mm	GENERAL TOLERANCES		SCALE:	NAME	DATE	PART.NO: WLT2F9-148XX0151	DWG.NO: ENDE05	TITLE: TYPE C 14P/F SMT Mid_mount H=0.98mm IPX7	REV: A0	SHEET: 1/2
A0	NEW RELEASE	21.01.13		LINEAR	ANGLES	1:1	APPROVED	Wang_jr					
				0.00±0.25	X°±3'	DESIGNER	Han_Gao	21.01.13					
				0.000±0.10	X°X'±2'	DRAWN	Zijun_Huang	21.01.13					



The product using material and processing must conform to the "WL-PZ-001"HSF technical standard control requirements

RoHS



NOTES 2:

1. MATERIAL:

- 1.1 REEL AND AXLE: PS,BLUE
- 1.2 CARRIER TAPE: PET, LUCID
- 1.3 COVER TAPE: PS,TRANSPARENT
- 1.4 SHIPPING CARTON: CORRUGATED FIBER

2. DIMENSION:

- 2.1 REEL: W=32.5, φA=330
- 2.2 CARRIER TAPE: T=0.50 W=32.0
- 2.3 COVER TAPE: T=0.05 W=25.5
- 2.4 SHIPPING CARTON: L=335mm, W=335mm, H=425mm

3. QUANTITY :

- 3.1 PRIMAY PACKING: 1345PCS/REEL
- 3.2 SECONARY PACKING: 10 REELS/CARTON(13450PCS/CARTON)

4. PEELING RESISTANCE: 0.1~1.3N

- 4.1 PEELING SPEED: 300mm/minutes
- 4.2 PEELING ANGLE: 165° ~180°

REV.	REVISION RECORD	DATE		GENERAL TOLERANCES		SCALE: 1:1	NAME	DATE	PART.NO: WLT2F9-148XX0151	DWG.NO: ENDE05		
AO	NEW RELEASE	21.01.13		LINEAR	ANGLES	APPROVED	Wang_jr	21.01.13				
			UNIT:mm	0.00±0.25	X'±3'	DESIGNER	Han_Gao	21.01.13	TITLE: TYPE C 14P/F SMT Mid_mount H=0.98mm IPX7	REV: A0		SHEET: 2/2
			SIZE: A4	0.000±0.10	X'X' ±2'	DRAWN	Zijun_Huang	21.01.13				