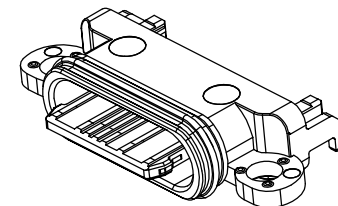
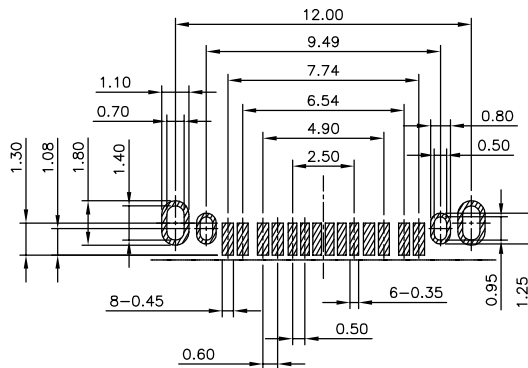
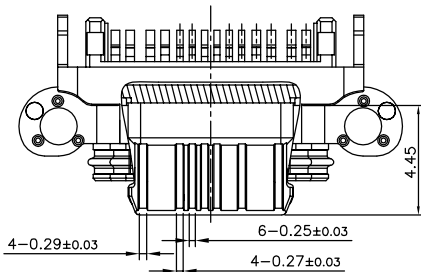
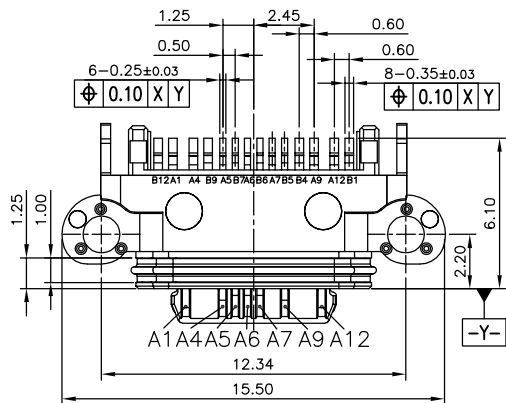
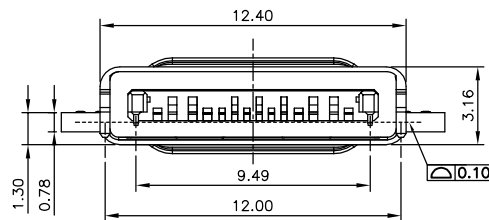
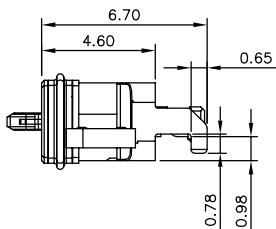
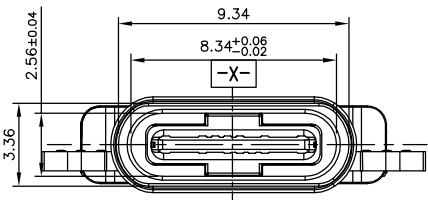


The product using material and processing must conform to the "WL-PZ-001"HSF technical standard control requirements

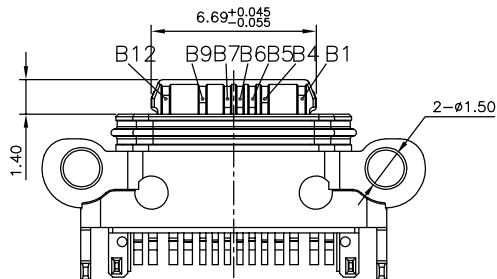
RoHS



RECOMMENDED P.C.B. LAYOUT(THICKNESS:0.80MM)  
UNLESS STATED TOLERANCE:±0.05(FOR REFERENCE)



NOTE:  
1.MATERIAL SPECIFICATION:  
1-1.HOUSING:LCP BLACK UL94V-0  
1-2.CONTACTS:COPPER ALLOY  
1-3.MID PLATE: STAINLESS STEEL  
1-4.SHELL: POWDER METALLURGY  
2.PLATING SPECIFICATION:  
2-1.CONTACTS:  
Ni 50u" MIN. UNDER PLATED OVER ALL.  
Au PLATED ON THE FUNCTIONAL AREA OF CONTACT.  
2-2.MID PLATE:  
CLEAR ONLY  
2-3.SHELL:Ni 30u" MIN. UNDER PLATED OVER ALL.  
3.MECHANICAL PERFORMANCE:  
3-1.INSERTION FORCE: 0.5~2.0kgf.  
3-2.REMOVAL FORCE: 0.8~2.0kgf.  
3-3.DURABILITY: 10000 CYCLES.  
4.ELECTRICAL PERFORMANCE:  
4-1. CURRENT RATING:  
VBUS AND GND CONTACTS RATED AT 2.5A  
PARALLELED FOR A TOTAL OF 8A.  
VOLTAGE RATING:20V MAX  
4-2.CONTACT RESISTNACE: 30mΩ MAX  
4-3.INSULATION RESISTANCE: 100MΩ MIN  
4-4.WITHSTANDING VOLTAGE: 100V AC r.m.s.  
5.ENVIRONMENTAL PERFORMANCE:  
OPERATING TEMPERATURE: -40°C~+85°C.  
6.WATER PROOFNESS:  
THIS PRODUCT IS BASED ON IPX7



PIN ASSIGNMENT

| Pin | Signal Name | Pin | Signal Name | Pin | Signal Name | Pin | Signal Name |
|-----|-------------|-----|-------------|-----|-------------|-----|-------------|
| A1  | GND         | B12 | GND         | A7  | D-          | B6  | D+          |
| A2  | TX1+        | B11 | RX1-        | A8  | SBU1        | B5  | CC2         |
| A3  | TX1-        | B10 | RX1+        | A9  | VBUS        | B4  | VBUS        |
| A4  | VBUS        | B9  | VBUS        | A10 | RX2-        | B3  | TX2+        |
| A5  | CC1         | B8  | SBU2        | A11 | RX2+        | B2  | TX2+        |
| A6  | D+          | B7  | D-          | A12 | GND         | B1  | GND         |

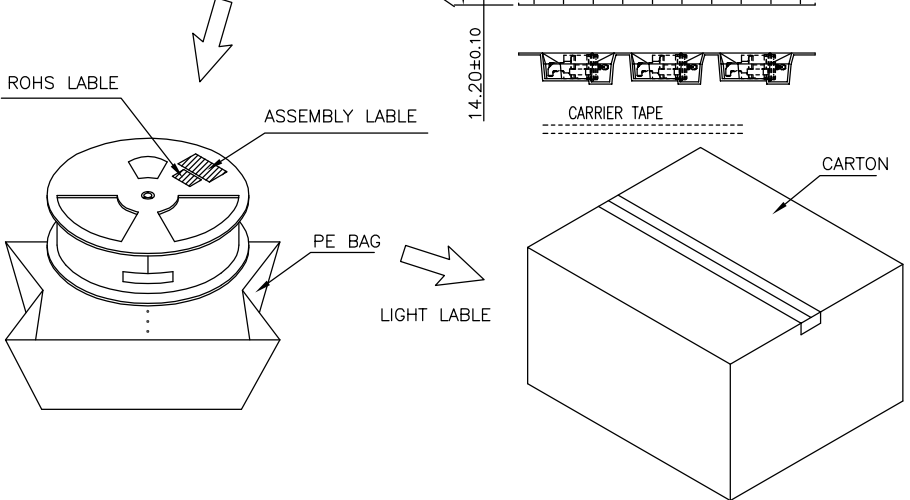
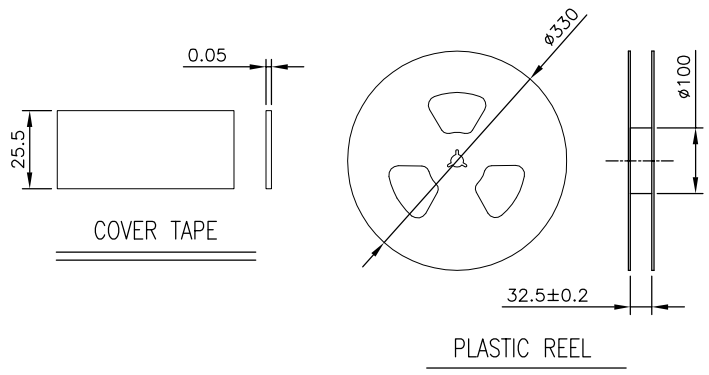
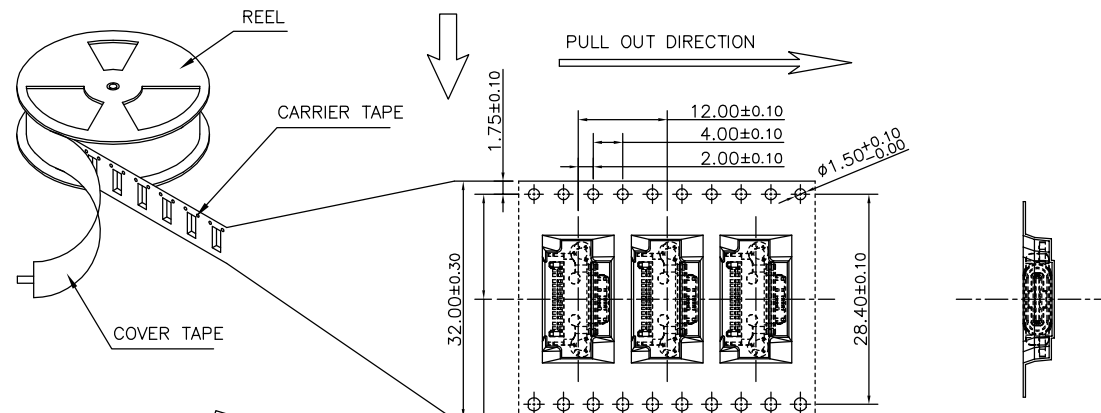
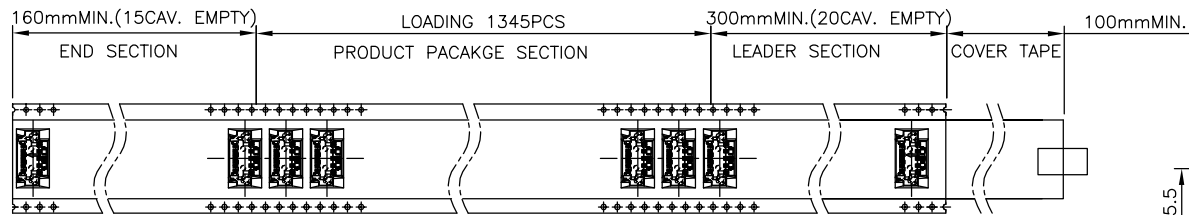
PART.NO.:  
WLT2F9-14 8 X X 0 152  
PLATING: 1-G/F  
2-Au 3u"  
5-Au 15u"  
6-Au 30u"  
COLOUR:  
A-BLACK

| REV. | REVISION RECORD | DATE     | GENERAL TOLERANCES | SCALE:   | NAME        | DATE     | PART.NO:                                 | DWG.NO: |
|------|-----------------|----------|--------------------|----------|-------------|----------|--|---------|
| A0   | NEW RELEASE     | 21.01.13 | LINEAR             | 1:1      | Wang_jr     | 21.01.13 | WLT2F9-148XX0152                         | ENDE05  |
|      |                 |          | ANGLES             | APPROVED | Han_Gao     | 21.01.13 |  |         |
|      |                 |          | 0.00±0.25          | DESIGNER | Zijun_Huang | 21.01.13 | TITLE:                                   |         |
|      |                 |          | 0.000±0.10         | DRAWN    |             |          | TYPE C 14P/F SMT Mid_mount H=0.98mm IPX7 |         |



REV: A0 SHEET: 1/2

The product using material and processing must conform to the "WL-PZ-001"HSF technical standard control requirements



- NOTES 2:
- MATERIAL:
    - REEL AND AXLE: PS,BLUE
    - CARRIER TAPE: PET, LUCID
    - COVER TAPE: PS,TRANSPARENT
    - SHIPPING CARTON: CORRUGATED FIBER
  - DIMENSION:
    - REEL: W=32.5, φA=330
    - CARRIER TAPE: T=0.50 W=32.0
    - COVER TAPE: T=0.05 W=25.5
    - SHIPPING CARTON: L=335mm, W=335mm, H=425mm
  - QUANTITY :
    - PRIMAY PACKING: 1345PCS/REEL
    - SECONARY PACKING: 10 REELS/CARTON(13450PCS/CARTON)
  - PEELING RESISTANCE: 0.1~1.3N
    - PEELING SPEED: 300mm/minutes
    - PEELING ANGLE: 165° ~180°

|      |                 |          |          |                    |          |               |             |          |  |                   |  |
|------|-----------------|----------|----------|--------------------|----------|---------------|-------------|----------|--|-------------------|--|
| REV. | REVISION RECORD | DATE     |          | GENERAL TOLERANCES |          | SCALE:<br>1:1 | NAME        | DATE     | PART.NO:<br>WLT2F9-148XX0152                       | DWG.NO:<br>ENDE05 |  |
| A0   | NEW RELEASE     | 21.01.13 |          | LINEAR             | ANGLES   | APPROVED      | Wang_jr     | 21.01.13 |  |                   |  |
|      |                 |          | UNIT:mm  | 0.00±0.25          | X'±3'    | DESIGNER      | Han_Gao     | 21.01.13 | TITLE:<br>TYPE C 14P/F SMT Mid_mount H=0.98mm IPX7 |                   |  |
|      |                 |          | SIZE: A4 | 0.000±0.10         | X'X' ±2' | DRAWN         | Zijun_Huang | 21.01.13 |  | REV: A0           |  |