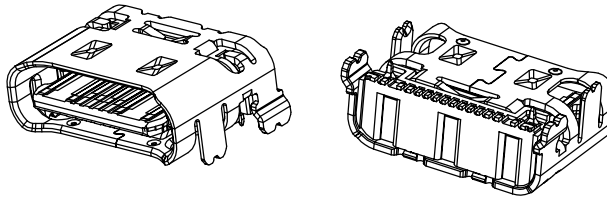
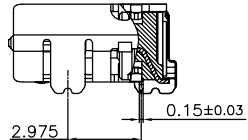
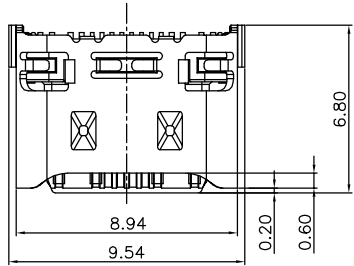
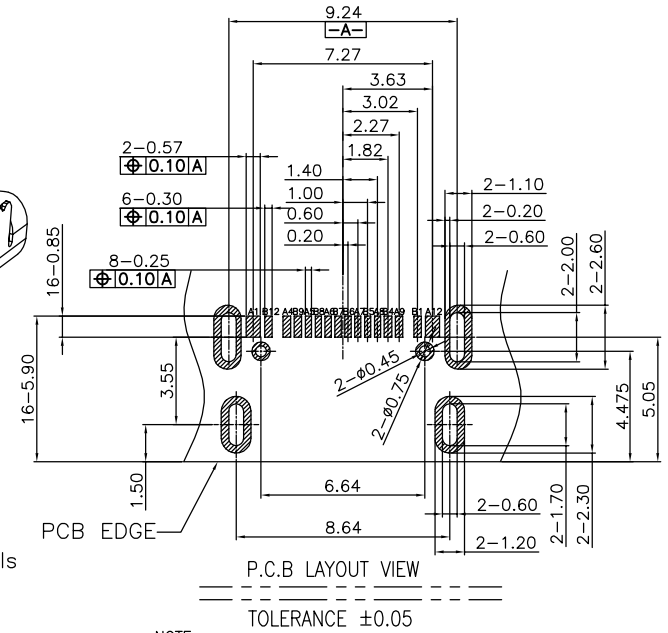
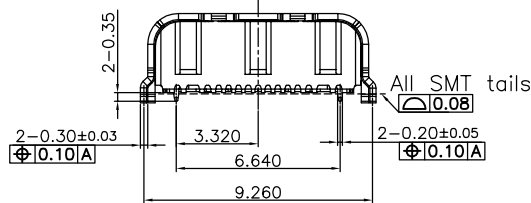
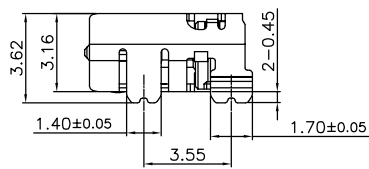
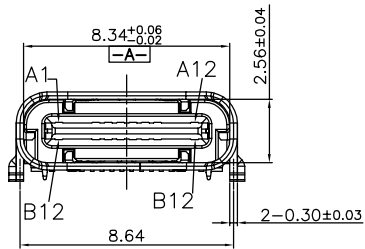


The product using material and processing must conform to the "WL-PZ-001" HSF technical standard control requirements

RoHS



SECTION A-A



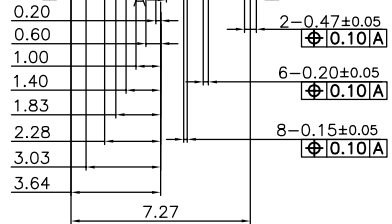
- NOTE:
- MATERIAL SPECIFICATION:
    - 1-1.HOUSING:LCP BLACK UL94V-0
    - 1-2.CONTACTS:COPPER ALLOY
    - 1-3.MID PLATE:STAINLESS STEEL
    - 1-4.SHELL:STAINLESS STEEL
  - PLATING SPECIFICATION:
    - 2-1.CONTACTS: Ni 50u" MIN. UNDER PLATED OVER ALL. Au PLATED ON THE FUNCTIONAL AREA OF CONTACT.
    - 2-2.MID PLATE: CLEAR ONLY
    - 2-3.FRONT SHELL: Ni 30u" MIN. UNDER PLATED OVER ALL.
  - MECHANICAL PERFORMANCE:
    - 3-1.INSERTION FORCE: 0.5~2.0kgf.
    - 3-2.REMOVAL FORCE: 0.8~2.0kgf.
    - 3-3.DURABILITY: 10000 CYCLES.
  - ELECTRICAL PERFORMANCE:
    - 4-1. CURRENT RATING:5.0A VOLTAGE RATING:20V MAX
    - 4-2.CONTACT RESISTNACE: 30mΩ MAX
    - 4-3.INSULATION RESISTANCE: 100MΩ MIN
    - 4-4.WITHSTANDING VOLTAGE: 100V AC r.m.s.
  - ENVIRONMENTAL PERFORMANCE:
    - OPERATING TEMPERATURE: -40°C~+85°C.

PIN ASSIGNMENT

Pin	Signal Name	Pin	Signal Name	Pin	Signal Name	Pin	Signal Name
A1	GND	B12	GND	A7	D-	B6	D+
A2	TX1+	B11	RX1-	A8	SBU1	B5	CC2
A3	TX1-	B10	RX1+	A9	VBUS	B4	VBUS
A4	VBUS	B9	VBUS	A10	RX2-	B3	TX2+
A5	CC1	B8	SBU2	A11	RX2+	B2	TX2+
A6	D+	B7	D-	A12	GND	B1	GND

PART.NO.: WLT2F9-16 2 X X 0 154

PLATING: 1-G/F  
2-Au 3u"  
5-Au 15u"  
6-Au 30u"  
COLOUR: A-BLACK



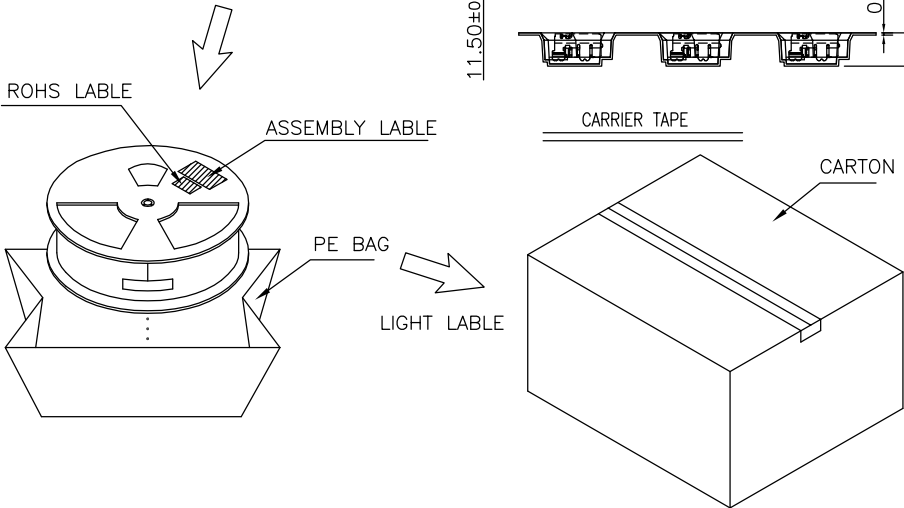
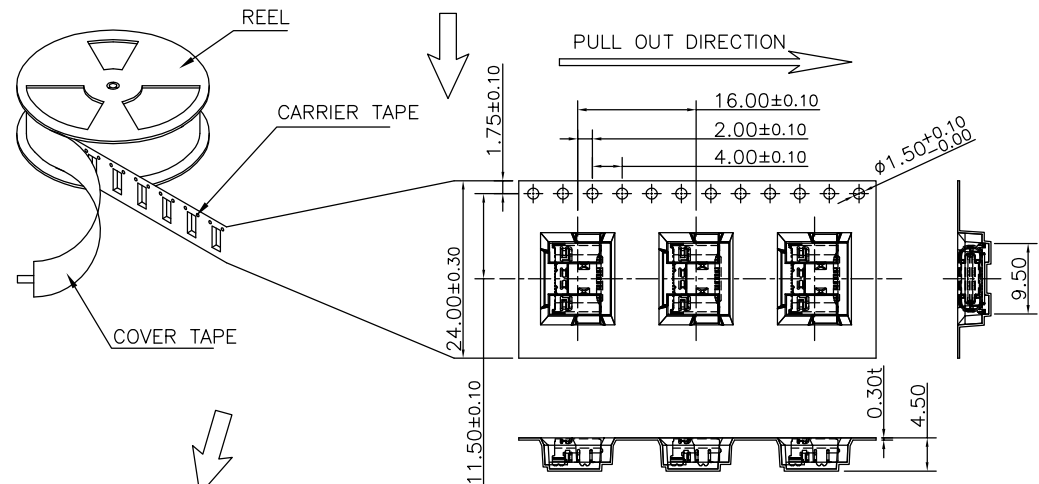
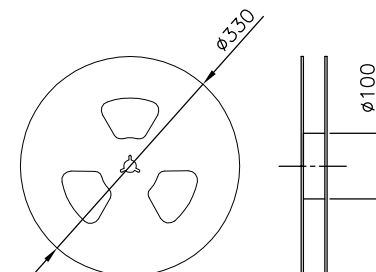
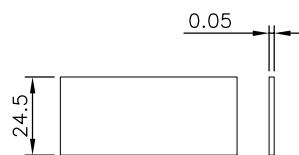
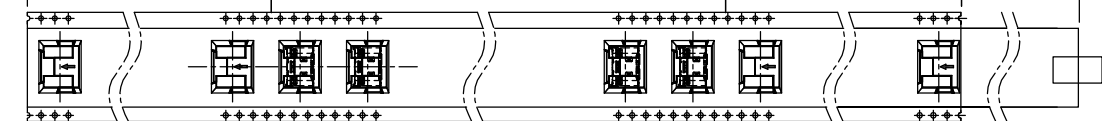
REV.	REVISION RECORD	DATE	GENERAL TOLERANCES		SCALE:	NAME	DATE	PART.NO.	DWG.NO.	 WanLian Teconology Co., Ltd
A0	NEW RELEASE	21.01.13	LINEAR	ANGLES	4:1	Wang_jr	21.01.13	WLT2F9-162XX0154	ENDE05	
			0.00±0.25	X'±3'	APPROVED	Han_Gao	21.01.13	TITLE:		
			0.000±0.10	X'X' ±2'	DESIGNER	Zijun_Huang	21.01.13	TYPE C 16P/F SMT L=6.8mm		
			UNIT:mm		DRAWN					REV: A0 SHEET: 1/2

The product using material and processing must conform to the "WL-PZ-001"HSF technical standard control requirements

RoHS

160mmMIN.(15CAV. EMPTY)      LOADING 890PCS      300mmMIN.(20CAV. EMPTY)      100mmMIN. COVER TAPE

END SECTION      PRODUCT PACAKGE SECTION      LEADER SECTION



NOTES 2:

1. MATERIAL:
  - 1.1 REEL AND AXLE: PS,BLUE
  - 1.2 CARRIER TAPE: PET, LUCID
  - 1.3 COVER TAPE: PS,TRANSPARENT
  - 1.4 SHIPPING CARTON: CORRUGATED FIBER
2. DIMENSION:
  - 2.1 REEL: W=24.5, φA=330
  - 2.2 CARRIER TAPE: T=0.50 W=24.0
  - 2.3 COVER TAPE: T=0.05 W=25.5
  - 2.4 SHIPPING CARTON: L=335mm, W=335mm, H=425mm
3. QUANTITY :
  - 3.1 PRIMAY PACKING: 890.PCS/REEL
  - 3.2 SECONARY PACKING: 10 REELS/CARTON(8900PCS/CARTON)
4. PEELING RESISTANCE: 0.1~1.3N
  - 4.1 PEELING SPEED: 300mm/minutes
  - 4.2 PEELING ANGLE: 165° ~180°

REV.	REVISION RECORD	DATE		GENERAL TOLERANCES		SCALE: 4:1	NAME	DATE	PART.NO: WLT2F9-162XX0154	DWG.NO: ENDE05		
A0	NEW RELEASE	21.01.13		LINEAR	ANGLES	APPROVED	Wang_jr	21.01.13				
			UNIT:mm	0.00±0.25	X'±3'	DESIGNER	Han_Gao	21.01.13	TITLE: TYPE C 16P/F SMT L=6.8mm	REV: A0		SHEET: 2/2
			SIZE: A4	0.000±0.10	X'X' ±2'	DRAWN	Zijun_Huang	21.01.13				