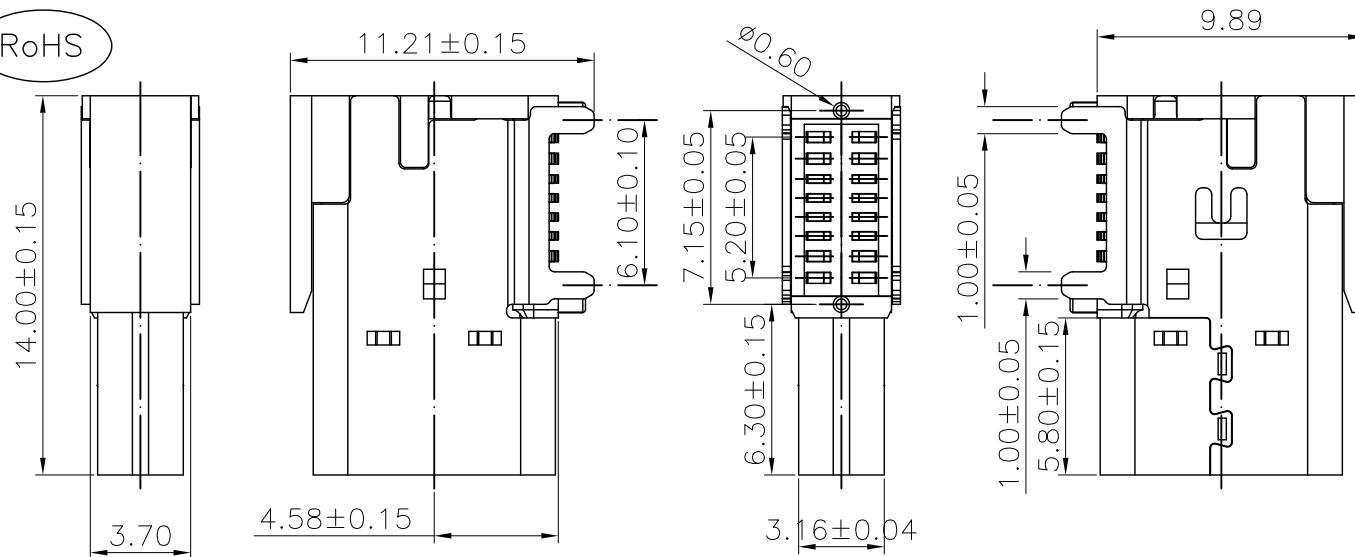


The product using material and processing must conform to the "WI-PZ-001"HSF technical standard control requirements

RoHS



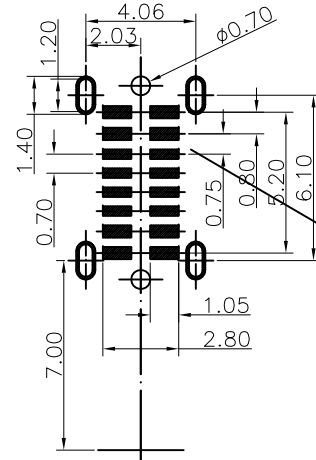
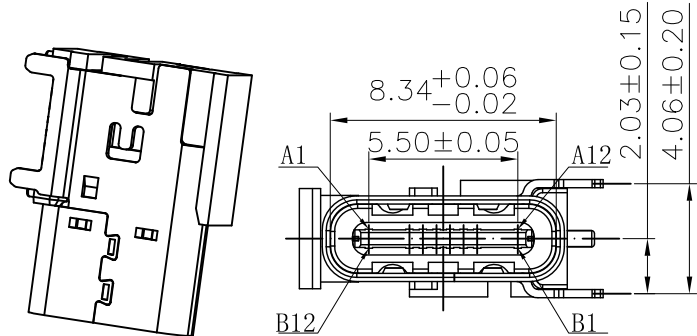
NOTE:

- 1.MATERIAL SPECIFICATION:
 - 1-1.HOUSING:LCP BLACK UL94 V-0
 - 1-2.CONTACTS:COPPER ALLOY C7025
 - 1-3.MID PLATE:STAINLESS STEEL
 - 1-4.SHELL: STAINLESS STEEL
- 2.PLATING SPECIFICATION:
 - 2-1.CONTACTS:
 - Ni UNDER PLATED OVER ALL.
 - Au PLATED ON THE FUNCTIONAL AREA OF CONTACT.
 - 2-2.MID PLATE: CLEAR ONLY
 - 2-3.FRONT SHELL:Ni UNDER PLATED OVER ALL.
- 3.MECHANICAL PERFORMANCE:
 - 3-1.INSERTION FORCE: 2.0kgf MAX
 - 3-2.REMOVAL FORCE: 0.8kgf MIN
 - 3-3.DURABILITY: 10000 CYCLES.
- 4.ELECTRICAL PERFORMANCE:
 - 4-1. CURRENT RATING:5.0A
VOLTAGE RATING:20V MAX
 - 4-2. CONTACT RESISTANCE: 40m Ohm Max.
 - 4-3.INSULATION RESISTANCE: 100MΩ MIN
 - 4-4.WITHSTANDING VOLTAGE: 100V AC r.m.s.
- 5.ENVIRONMENTAL PERFORMANCE:
 - OPERATING TEMPERATURE: -25°C~+85°C.
- 6.P/N:

WLT2F9-16 2 X X 0202

COLOUR:
A.BLACK

PLATED:
1.G/F
2.Au 3u"
5.Au 15u"
6.Au 30u"



B12	A1
B9	A4
B8	A5
B7	A6
B6	A7
B5	A8
B4	A9
B1	A12

A1	GND	B12	GND
A2		B11	
A3		B10	
A4	VBUS	B9	VBUS
A5	CC1	B8	SBU2
A6	D+	B7	D-
A7	D-	B6	D+
A8	SBU1	B5	CC2
A9	VBUS	B4	VBUS
A10		B3	
A11		B2	
A12	GND	B1	GND

REV.	REVISION RECORD	DATE		GENERAL TOLERANCES		SCALE: 1:1	NAME	DATE	PART.NO: WLT2F9-162XX0202	DWG.NO: ENDE05	 WanLian Teconology Co., Ltd	
A0	NEW RELEASE	21.01.13		LINEAR	ANGLES	APPROVED	Wang_jr	21.01.13				
			UNIT:mm	0.00±0.25	X°±3°	DESIGNER	Han_Gao	21.01.13	TITLE: Type C 16P/F SMT CH=4.58mm		REV: A0	SHEET: 1/2
			SIZE: A4	0.000±0.10	X°X' ±2°	DRAWN	Zijun_Huang	21.01.13				

