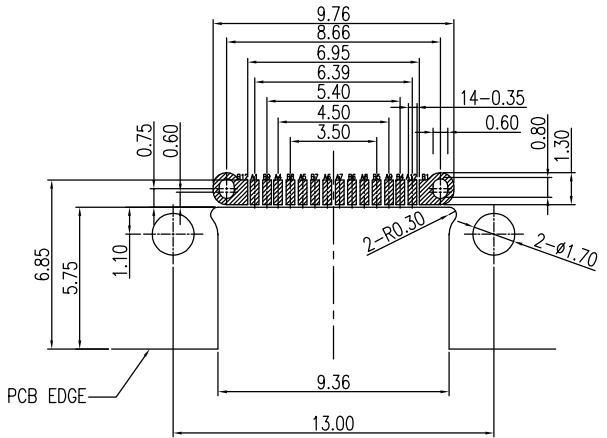
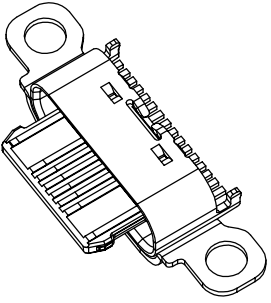
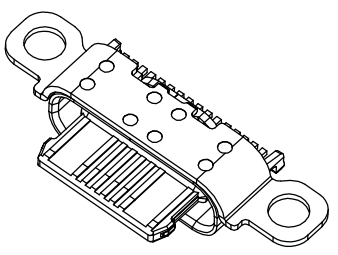
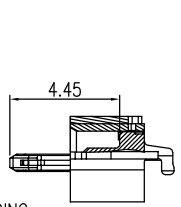
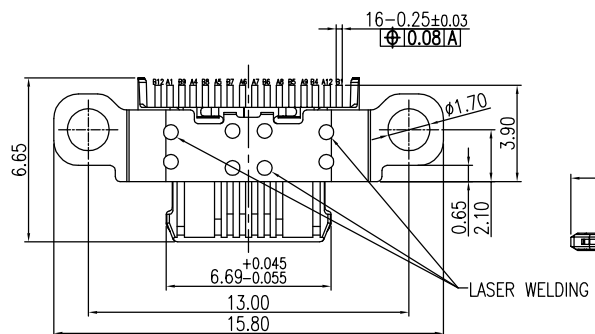


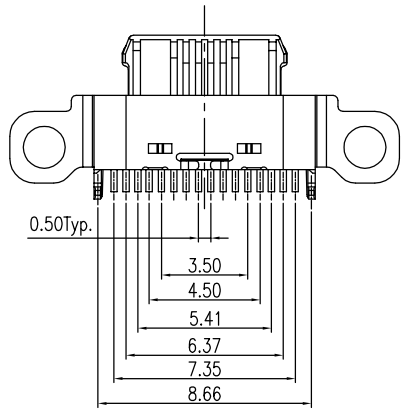
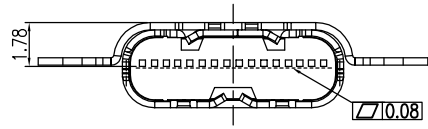
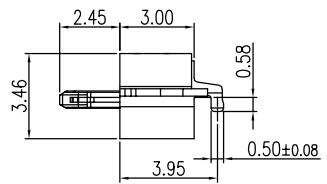
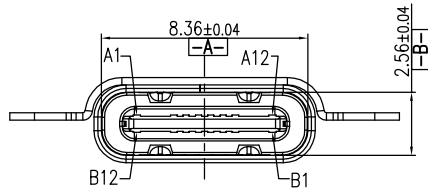
The product using material and processing must conform to the "WL-PZ-001"HSF technical standard control requirements

RoHS



P.C.B LAYOUT VIEW
TOLERANCE ±0.05

NOTE:
 1.MATERIAL SPECIFICATION:
 1-1.HOUSING:LCP BLACK UL94V-0
 1-2.CONTACTS:COPPER ALLOY
 1-3.MID PLATE: STAINLESS STEEL
 1-4.SHELL: STAINLESS STEEL
 2.PLATING SPECIFICATION:
 2-1.CONTACTS:
 Ni 50u" MIN. UNDER PLATED OVER ALL.
 Au PLATED ON THE FUNCTIONAL AREA OF CONTACT.
 2-2.MID PLATE:
 CLEAR ONLY
 2-3.FRONT SHELL:
 Ni 30u" MIN. UNDER PLATED OVER ALL.
 3.MECHANICAL PERFORMANCE:
 3-1.INSERTION FORCE: 0.5~2.0kgf.
 3-2.REMOVAL FORCE: 0.8~2.0kgf.
 3-3.DURABILITY: 10000 CYCLES.
 4.ELECTRICAL PERFORMANCE:
 4-1. CURRENT RATING:8.0A
 VOLTAGE RATING:20V MAX
 4-2.CONTACT RESISTNACE: 30mΩ MAX
 4-3.INSULATION RESISTANCE: 100MΩ MIN
 4-4.WITHSTANDING VOLTAGE: 100V AC r.m.s.
 5.ENVIRONMENTAL PERFORMANCE:
 OPERATING TEMPERATURE: -40°C~+85°C.



PIN ASSIGNMENT

Pin	Signal Name	Pin	Signal Name	Pin	Signal Name	Pin	Signal Name
A1	GND	B12	GND	A7	D-	B6	D+
A2	TX1+	B11	RX1-	A8	SBU1	B5	CC2
A3	TX1-	B10	RX1+	A9	VBUS	B4	VBUS
A4	VBUS	B9	VBUS	A10	RX2-	B3	TX2+
A5	CC1	B8	SBU2	A11	RX2+	B2	TX2+
A6	D+	B7	D-	A12	GND	B1	GND

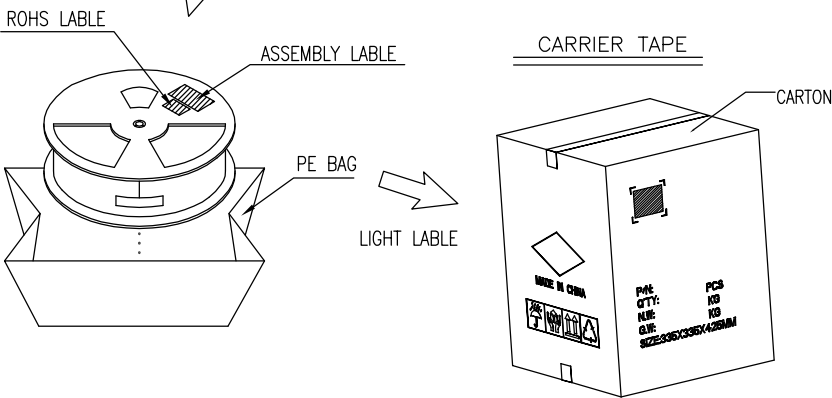
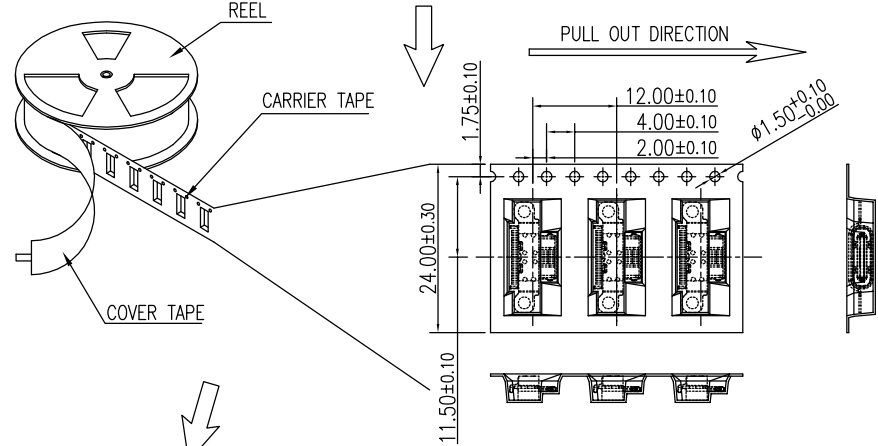
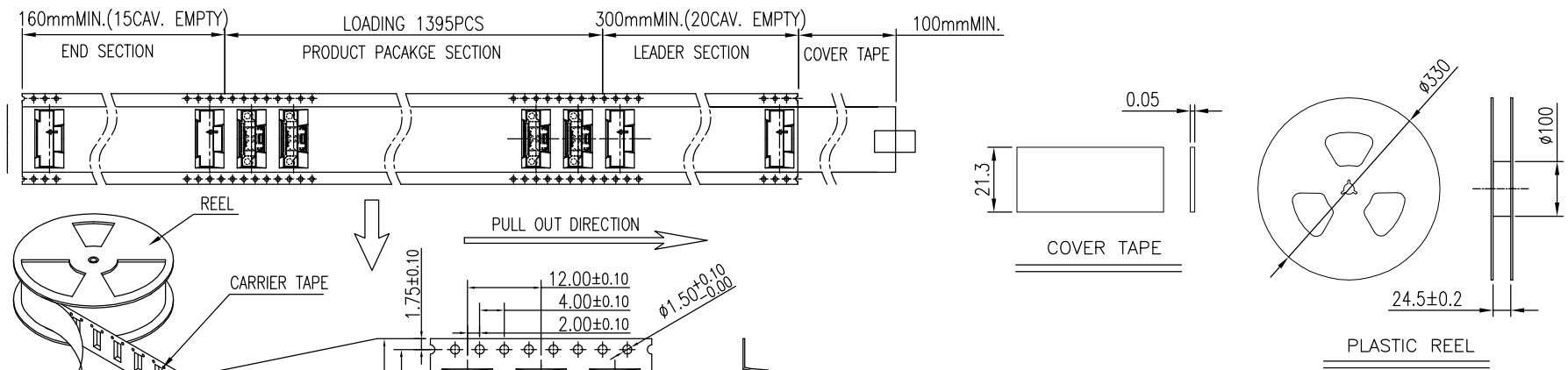
PART.NO.:
WLT2F9-16 8 X X 0 177

PLATING: 1-G/F 2-Au 3u" 5-Au 15u" 6-Au 30u"
 COLOUR: A-BLACK

REV.	REVISION RECORD	DATE	GENERAL TOLERANCES		SCALE:	NAME	DATE	PART.NO:	DWG.NO:	 WanLian Teconology Co., Ltd
A0	NEW RELEASE	21.01.13	LINEAR	ANGLES	1:1	Wang_jr	21.01.13	WLT2F9-168XX0177	ENDE05	
			0.00±0.25	X°±3'	APPROVED	Han_Gao	21.01.13	TITLE:		
			0.000±0.10	X°X' ±2'	DESIGNER	Zijun_Huang	21.01.13	TYPE C 16/F SMT Mid_mount 1.78H		
			UNIT:mm		DRAWN					REV: A0 SHEET: 1/2

The product using material and processing must conform to the "WL-PZ-001"HSF technical standard control requirements

RoHS



NOTES 2:

1. MATERIAL:
 - 1.1 REEL AND AXLE: PS,BLUE
 - 1.2 CARRIER TAPE: PET, LUCID
 - 1.3 COVER TAPE: PS,TRANSPARENT
 - 1.4 SHIPPING CARTON: CORRUGATED FIBER
2. DIMENSION:
 - 2.1 REEL: W=24.5, øA=330
 - 2.2 CARRIER TAPE: T=0.50 W=24.0
 - 2.3 COVER TAPE: T=0.05 W=21.3
 - 2.4 SHIPPING CARTON: L=335mm, W=335mm, H=425mm
3. QUANTITY :
 - 3.1 PRIMAY PACKING: 1395PCS/REEL
 - 3.2 SECONARY PACKING: 10 REELS/CARTON(13950PCS/CARTON)
4. PEELING RESISTANCE: 0.1~1.3N
 - 4.1 PEELING SPEED: 300mm/minutes
 - 4.2 PEELING ANGLE: 165° ~180°

REV.	REVISION RECORD	DATE		GENERAL TOLERANCES		SCALE:	NAME	DATE	PART.NO: WLT2F9-168XX0177	DWG.NO: ENDE05	
A0	NEW RELEASE	21.01.13		LINEAR	ANGLES	1:1	Wang_jr	21.01.13			
			0.0±0.35	X°REF±6'	APPROVED	Han_Gao	21.01.13	TITLE: TYPE C 16/F SMT Mid_mount 1.78H			
			UNIT:mm	X°±3'	DESIGNER	Zijun_Huang	21.01.13				
			SIZE: A4	0.000±0.10	X°X' ±2'	DRAWN			REV: A0	SHEET: 2/2	