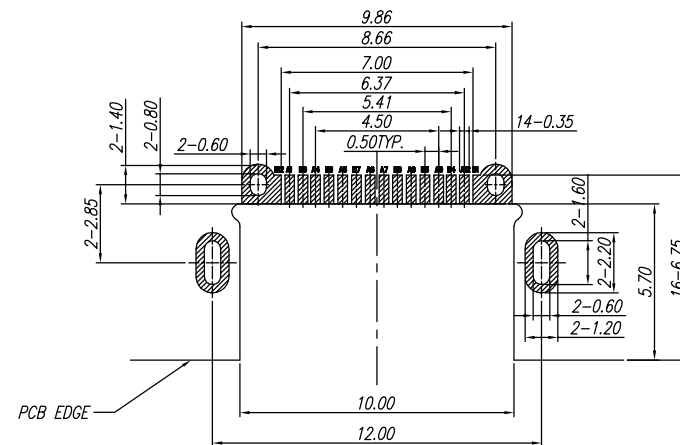
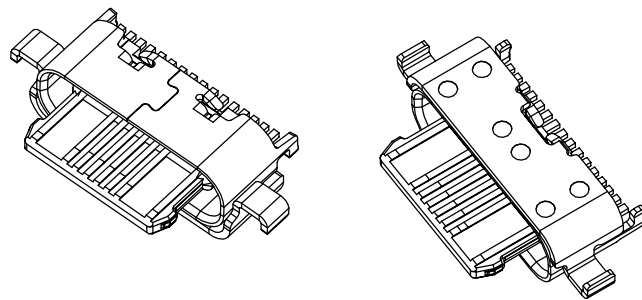
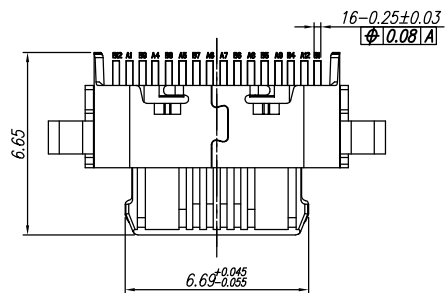


The product using material and processing must conform to the "WL-PZ-001"HSF technical standard control requirements

RoHS

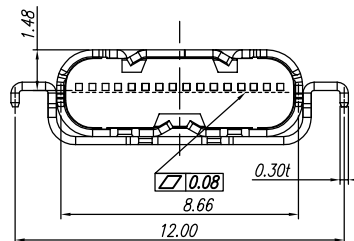
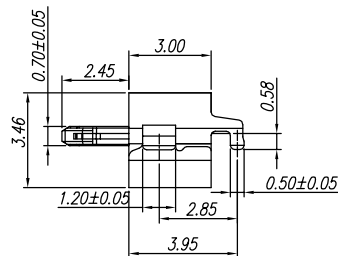
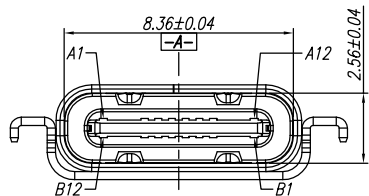


P.C.B LAYOUT VIEW

TOLERANCE ±0.05

NOTE:

- 1.MATERIAL SPECIFICATION:
  - 1-1.HOUSING:LCP BLACK UL94V-0
  - 1-2.CONTACTS:COPPER ALLOY
  - 1-3.MID PLATE: STAINLESS STEEL
  - 1-4.SHELL: STAINLESS STEEL
- 2.PLATING SPECIFICATION:
  - 2-1.CONTACTS:
    - Ni 50u" MIN. UNDER PLATED OVER ALL.
    - Au PLATED ON THE FUNCTIONAL AREA OF CONTACT.
  - 2-2.MID PLATE:
    - CLEAR ONLY
  - 2-3.FRONT SHELL:
    - Ni 50u" MIN. UNDER PLATED OVER ALL.
- 3.MECHANICAL PERFORMANCE:
  - 3-1.INSERTION FORCE: 0.5~2.0kgf.
  - 3-2.REMOVAL FORCE: 0.8~2.0kgf.
  - 3-3.DURABILITY: 10000 CYCLES.
- 4.ELECTRICAL PERFORMANCE:
  - 4-1. CURRENT RATING:5.0A
    - VOLTAGE RATING:20V MAX
  - 4-2.CONTACT RESISTNACE: 30mΩ MAX
  - 4-3.INSULATION RESISTANCE: 100MΩ MIN
  - 4-4.WITHSTANDING VOLTAGE: 100V AC r.m.s.
- 5.ENVIRONMENTAL PERFORMANCE:
  - OPERATING TEMPERATURE: -40°C~+85°C.

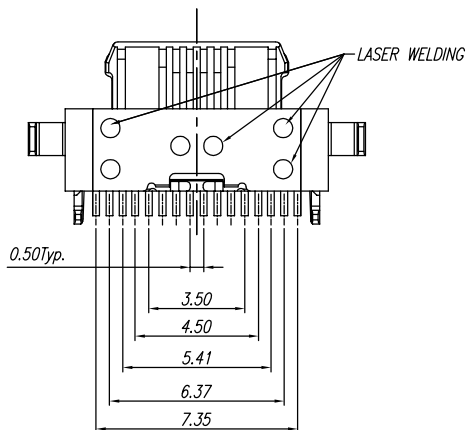


PIN ASSIGNMENT

Pin	Signal Name	Pin	Signal Name	Pin	Signal Name	Pin	Signal Name
A1	GND	B12	GND	A7	D-	B6	D+
A2	TX1+	B11	RX1-	A8	SBU1	B5	CC2
A3	TX1-	B10	RX1+	A9	VBUS	B4	VBUS
A4	VBUS	B9	VBUS	A10	RX2-	B3	TX2+
A5	CC1	B8	SBU2	A11	RX2+	B2	TX2+
A6	D+	B7	D-	A12	GND	B1	GND

PART.NO.: WLT2F9-16 8 X X 0 180

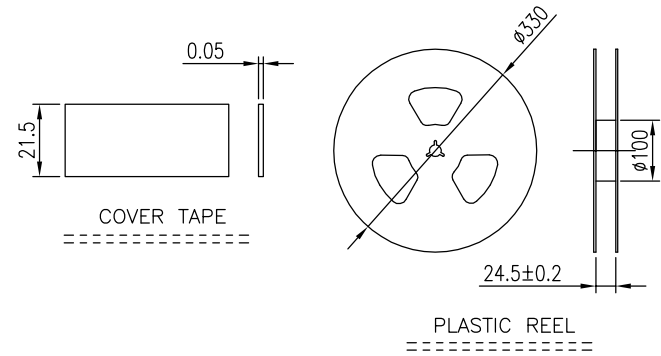
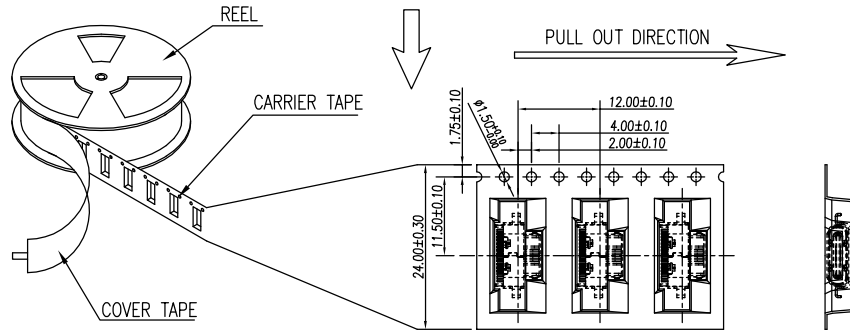
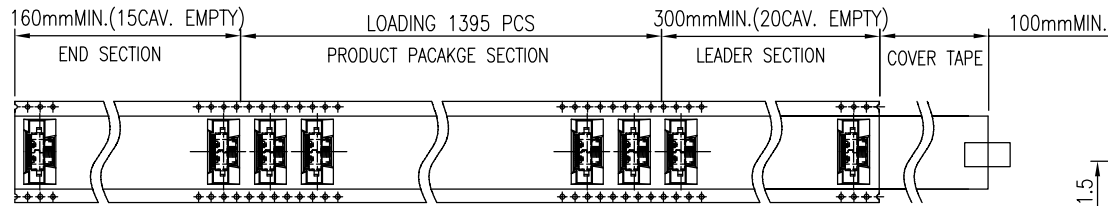
PLATING: 1-G/F  
2-Au 3u"  
5-Au 15u"  
6-Au 30u"  
COLOUR: A-BLACK



REV.	REVISION RECORD	DATE	GENERAL TOLERANCES		SCALE:	NAME	DATE	PART.NO.:	DWG.NO.:	
A0	NEW RELEASE	21.01.13	LINEAR	ANGLES	1:1	Wang_jr	21.01.13	WLT2F9-168XX0180	ENDE05	
			0.00±0.25	X°REF±6'	APPROVED	Han_Gao	21.01.13	TITLE: TYPE C 16/F SMT Mid_mount 1.48H		
			0.00±0.10	X°X' ±2'	DESIGNER	Zijun_Huang	21.01.13			
			UNIT:mm		DRAWN			REV: A0	SHEET: 1/2	

The product using material and processing must conform to the "WL-PZ-001"HSF technical standard control requirements

RoHS



NOTES 2:

1. MATERIAL:

- 1.1 REEL AND AXLE: PS,BLUE
- 1.2 CARRIER TAPE: PET, LUCID
- 1.3 COVER TAPE: PS,TRANSPARENT
- 1.4 SHIPPING CARTON: CORRUGATED FIBER

2. DIMENSION:

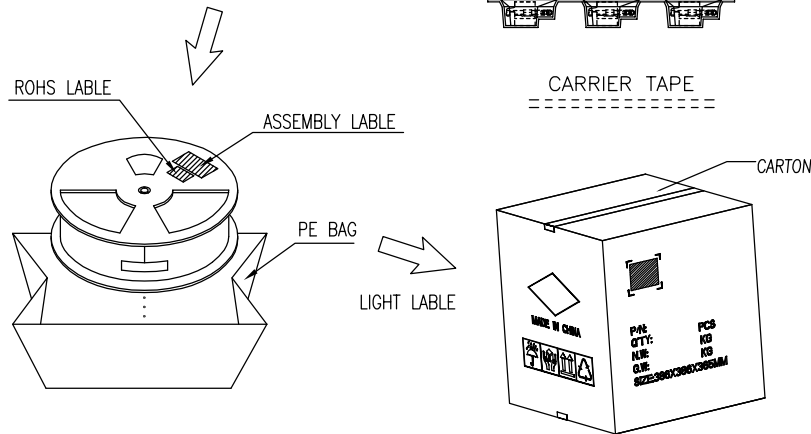
- 2.1 REEL: W=24.5, φA=330
- 2.2 CARRIER TAPE: T=0.50 W=24.0
- 2.3 COVER TAPE: T=0.05 W=21.3
- 2.4 SHIPPING CARTON: L=335mm, W=335mm, H=425mm

3. QUANTITY :

- 3.1 PRIMAY PACKING: 1395PCS/REEL
- 3.2 SECONARY PACKING: 12 REELS/CARTON(16740PCS/CARTON)

4. PEELING RESISTANCE: 0.1~1.3N

- 4.1 PEELING SPEED: 300mm/minutes
- 4.2 PEELING ANGLE: 165° ~180°



REV.	REVISION RECORD	DATE		GENERAL TOLERANCES		SCALE: 1:1	NAME	DATE	PART.NO: WLT2F9-168XX0180	DWG.NO: ENDE05	
AO	NEW RELEASE	21.01.13		LINEAR	ANGLES	APPROVED	Wang_jr	21.01.13			
			UNIT:mm	X'±3'	DESIGNER	Han_Gao	21.01.13	TITLE:			
			SIZE: A4	0.00±0.25	X'X' ±2'	DRAWN	Zijun_Huang	21.01.13	TYPE C 16/F SMT Mid_mount 1.48H		
				0.00±0.35	X*REF±6'				REV: A0	SHEET: 2/2	

WanLian Teconology Co., Ltd