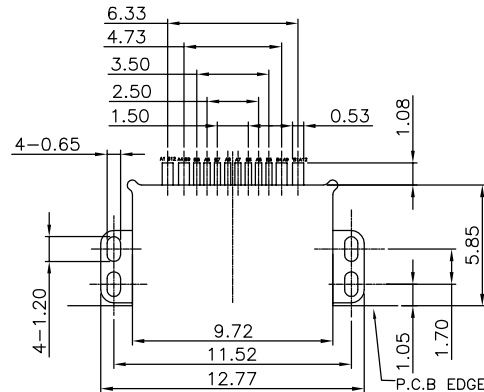
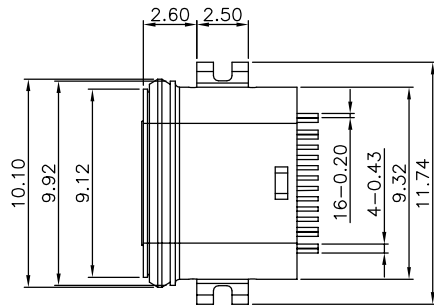


The product using material and processing must conform to the "WL-PZ-001" HSF technical standard control requirements

RoHS

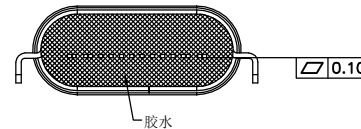
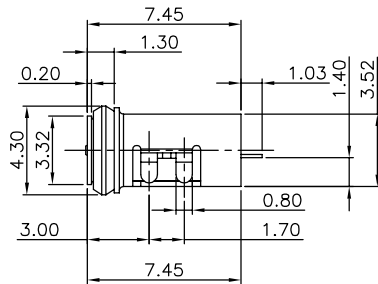
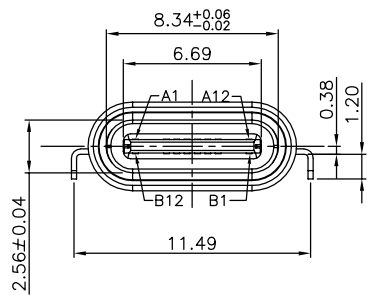


RECOMMENDED PCB LAYOUT(TOP VIEW)
DEFAULT TOLERANCE:±0.05

- NOTE:
- MATERIAL SPECIFICATION:
 - HOUSING :PA10T BLACK
 - CONTACT :COPPER ALLOY
 - MID PLATE:STAINLESS STEEL
 - FRONT PLATE:STAINLESS STEEL
 - PLATING SPECIFICATION:
 - CONTACT:AU G/F PLATING ON CONTACT AREA.
 - MID PLATE:NI PLATING OVER ALL.
 - FRONT PLATE:NI PLATING OVER ALL.
 - MECHANICAL PERFORMANCE:
 - INSERTION FORCE:2.0Kgf MAX
 - EXTRACTION FORCE:0.8Kgf MIN
 - DURABILITY: 10000 CYCLES.
 - ELECTRICAL PERFORMANCE:
 - RATED CURRENT:5.0A
 - VOLTAGE RATING:20V
 - CONTACT RESISTANCE:
 - VBUS & GND PINS AND OTHER PINS: 40mΩ/PIN MAX.
 - SHIELD: 50mΩ/MAX.
 - LLCR MAX. CHANGE OF ALL PINS: 10mΩ.
 - INSULATION RESISTANCE: 100MΩ MIN
 - WITHSTANDING VOLTAGE: 100V AC
 - OPERATION TEMPERATURE RANGE:-25°C~85°C
 - IR REFLOW: THE PEAK TEMPERATURE ON THE BOARD SHALL BE MAINTAINED FOR 10 SECONDS AT 260°C.
 - PACKAGE SPEC:REEL
 - P/N:

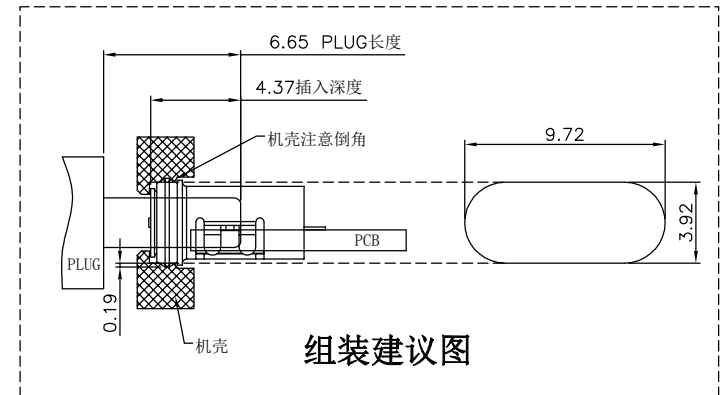
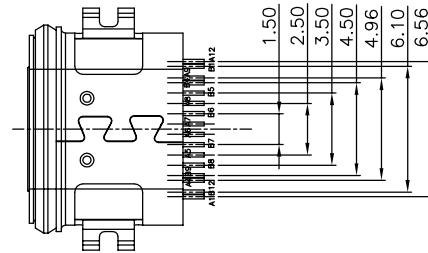
WLT2F9-16 8 X X X 123

PLATED: _____ HOUSING:
 1-G/F 1-PA10T
 2-Au 3u" 2-LCP
 5-Au 15u" COLOUR:
 6-Au A-BLACK
 30u"



USB TYPE-C PIN ASSIGNMENTS

PIN NUMBER	SIGNAL NAME	PIN NUMBER	SIGNAL NAME
A1	GND	B12	GND
A4	VBUS	B9	VBUS
A5	CC1	B8	SBU2
A6	Dp1	B7	Dn2
A7	Dn1	B6	Dp2
A8	SBU1	B5	CC2
A9	VBUS	B4	VBUS
A12	GND	B1	GND



组装建议图

REV.	REVISION RECORD	DATE	GENERAL TOLERANCES		SCALE:	NAME	DATE	PART.NO:	DWG.NO:
A0	NEW RELEASE	21.01.13	LINEAR	ANGLES	1:1	Wang_jr	21.01.13	WLT2F9-168XXX123	ENDE05
			0.0±0.35	X*REF±6°	APPROVED	Han_Gao	21.01.13	TITLE:	 WanLian Teconology Co., Ltd
			0.00±0.25	X'±3°	DESIGNER	Zijun_Huang	21.01.13	TYPE C 16P/F SMT IPX7	
			0.000±0.10	X*X'±2°	DRAWN			REV: A0 SHEET: 1/1	