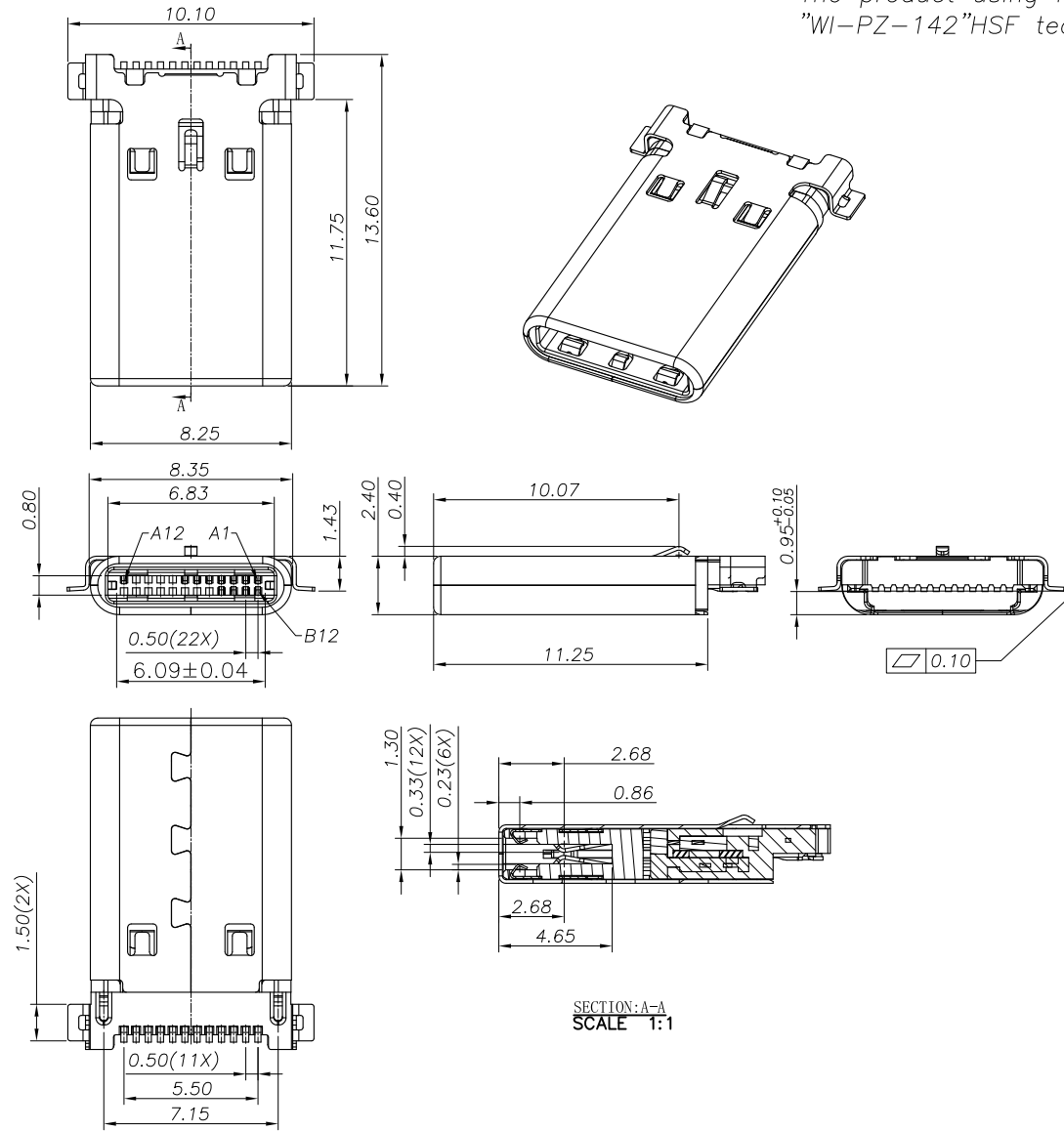


The product using material and processing must conform to the "WI-PZ-142"HSF technical standard control requirements



NOTE:

- 1.MATERIAL SPECIFICATION:
 - 1.HOUSING:HIGH TEMPERATURE RESISTANT PLASTIC,UL94 V-0.
 - 2.CONTACTS:COPPER ALLOY
 - 3.MID PLATE: STAINLESS STEEL
 - 4.FRONT SHELL: STAINLESS STEEL
 - 5.EMI PLATE: STAINLESS STEEL
- 2.PLATING SPECIFICATION:
 - 2-1.CONTACTS:
 - Ni 50u" MIN. UNDER PLATED OVER ALL.
 - Au PLATED ON THE FUNCTIONAL AREA OF CONTACT.
 - (GOLD PLATING THICKNESS FOLLOW THE P/N)
 - 80u" MIN TIN PLATED ON SOLDER AREA.
 - 2-2.FRONT SHELL:
 - Ni 30u" MIN. UNDER PLATED OVER ALL.
 - 2-3.MID PLATE:
 - Ni 50u" MIN. UNDER PLATED OVER ALL.
 - 2-4.EMI PLATE:
 - CLEAR ONLY
- 3.MECHANICAL PERFORMANCE,
 - 3-1.INSERTION FORCE: 0.5~2.0kgf.
 - 3-2.REMOVAL FORCE: 0.8kgf~2.0kgf.
 - 3-3.DURABILITY: 10000 CYCLES.
- 4.ELECTRICAL PERFORMANCE,
 - 4-1. CURRENT RATING:5.0A
VOLTAGE RATING:5.0V
 - 4-2. LLCR:
 - VBUS & GND PINS AND OTHER PINS: 40mΩ/PIN MAX.
 - SHIELD: 50mΩ/MAX.
 - LLCR MAX. CHANGE OF ALL PINS: 10mΩ.
 - 4-3.INSULATION RESISTANCE: 100MΩ MIN
 - 4-4.DIELECTRIC WITHSTAND VOLTAGE,AC 100V FOR 1 MINUTE.
5. ENVIRONMENTAL PERFORMANCE:
 - OPERATING TEMPERATURE: -25°C~+85°C.
- 6.IR REFLOW:
 - THE PEAK TEMPERATURE ON THE BOARD SHALL BE MAINTAINED FOR 10 SECONDS AT 260°C.

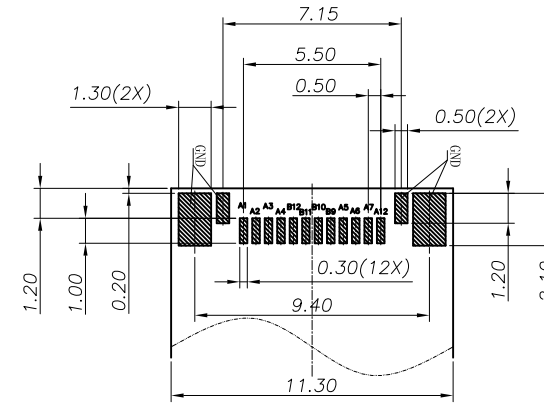
SECTION: A-A
SCALE 1:1

REV.	REVISION RECORD	DATE		GENERAL TOLERANCES		SCALE:	NAME	DATE	PART. NO:	DWG. NO:	
A0	NEW RELEASE	21. 01. 13		LINEAR	ANGLES	1:1					
			UNIT: mm	0.00±0.25	X° ±3°	DESIGNER	Ding_Bo	21. 03. 11	TITLE:		WanLian Teconology Co., Ltd REV: A0 SHEET: 1/3
			SIZE: A4	0.000±0.10	X° X'±2°	DRAWN	Ou_Jian	21. 03. 11	USB TYPE C SMT PLUG		

The product using material and processing must conform to the "WI-PZ-142"HSF technical standard control requirements

USB TYPE-C PIN ASSIGNMENTS

PIN NUMBER	SIGNAL NAME	PIN NUMBER	SIGNAL NAME
A1	GND	B12	GND
A2	SSTXp1	B11	SSRXp1
A3	SSTXn1	B10	SSRXn1
A4	Vbus	B9	Vbus
A5	CC1	B8	
A6	Dp1	B7	
A7	Dn1	B6	
A8		B5	
A9		B4	
A10		B3	
A11		B2	
A12	GND	B1	



RECOMMENDED PCB LAYOUT(TOP VIEW)

TOLERANCE: ±0.05

ORDER INFORMATION

P/N: WLT2M9-128XX40-068

Number of Contact: _____ SERIAL NO. _____

Contact Type: _____ Housing color: _____

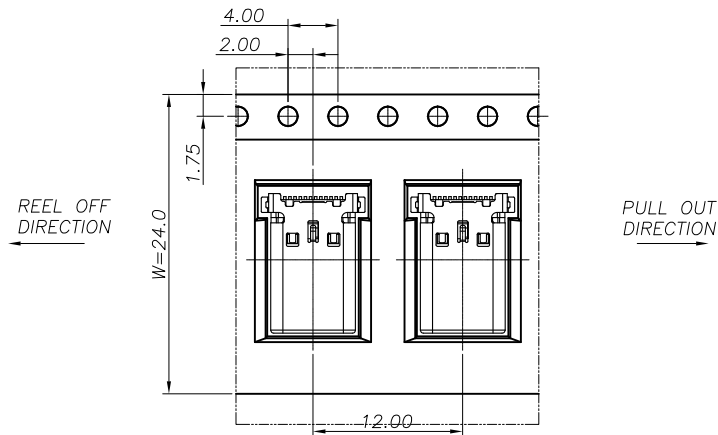
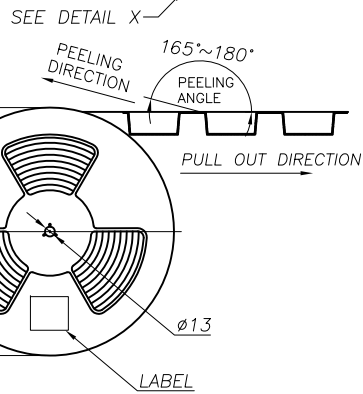
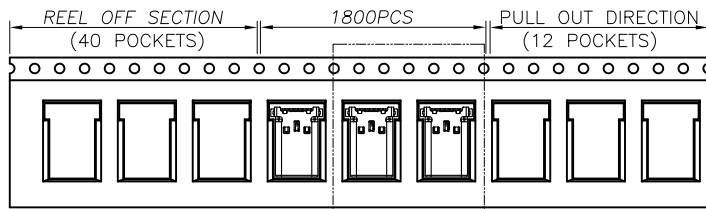
1: DIP A: Black
2: SMT S: Nature
8: SINKING PCB TYPE

Plating Contact: _____

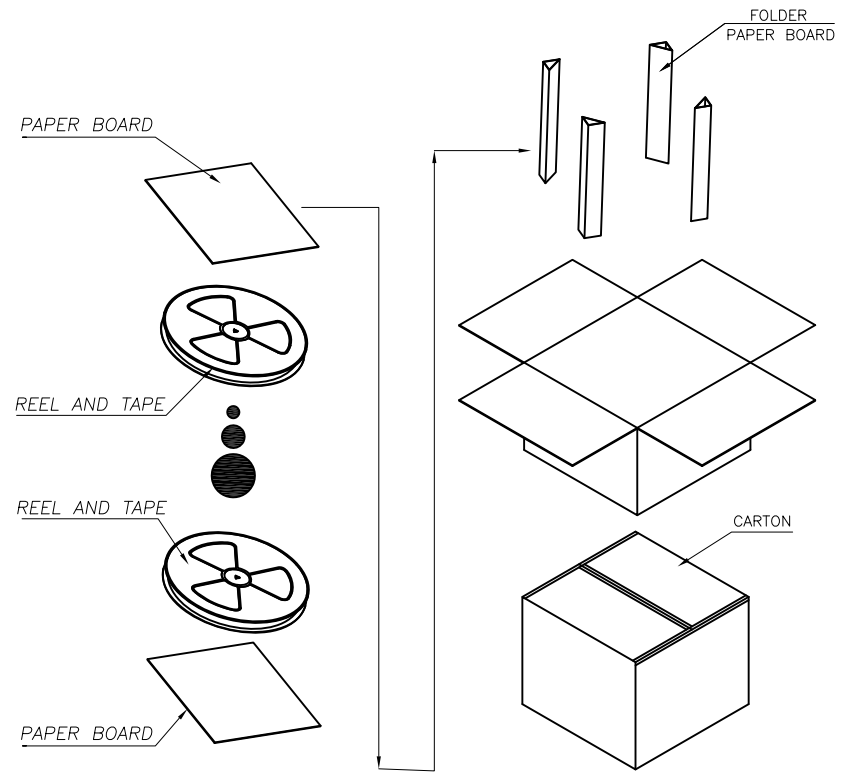
1: Gold Flash
3: Au: 3U"
6: Au: 30U"

REV.	REVISION RECORD	DATE		GENERAL TOLERANCES		SCALE: 1:1	NAME	DATE	PART. NO:	DWG. NO:	
A0	NEW RELEASE	21.01.13		LINEAR	ANGLES	APPROVED	Wang_jr	21.03.11	WLT2M9-128XX40-068	ENDE05	
			0.00±0.25	X° ±3°	DESIGNER	Ding_Bo	21.03.11	TITLE: USB TYPE C SMT PLUG		REV: A0 SHEET: 2/3	
			0.00±0.10	X° X'±2°	DRAWN	Ou_Jian	21.03.11				

WanLian Teconology Co., Ltd



The product using material and processing must conform to the "WI-PZ-142"HSF technical standard control requirements



	REEL	CARTON
CONNECTOR (PCS)	1800	18000

REV.	REVISION RECORD	DATE		GENERAL TOLERANCES		SCALE: 1:1	NAME	DATE	PART. NO: WLT2M9-128XX40-068	DWG. NO: ENDE05	 WanLian Teconology Co., Ltd
A0	NEW RELEASE	21.01.13		LINEAR	ANGLES	APPROVED	Wang_jr	21.03.11			
			0.0±0.35	X° REF±6°	DESIGNER	Ding_Bo	21.03.11	TITLE:			
			UNIT: mm	0.00±0.25	X° ±3°	DRAWN	Ou_Jian	21.03.11	USB TYPE C SMT PLUG		
			SIZE: A4	0.000±0.10	X° X'±2°				REV: A0	SHEET: 3/3	