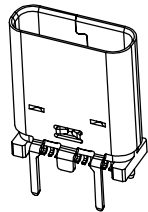
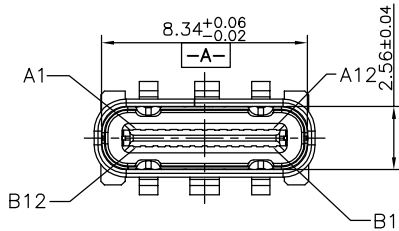


The product using material and processing must conform to the "WL-PZ-001"HSF technical standard control requirements

RoHS



PIN ASSIGNMENT

Pin	Signal Name	Pin	Signal Name	Pin	Signal Name	Pin	Signal Name
A1	GND	B12	GND	A7	D-	B6	D+
A2	TX1+	B11	RX1-	A8	SBU1	B5	CC2
A3	TX1-	B10	RX1+	A9	VBUS	B4	VBUS
A4	VBUS	B9	VBUS	A10	RX2-	B3	TX2+
A5	CC1	B8	SBU2	A11	RX2+	B2	TX2+
A6	D+	B7	D-	A12	GND	B1	GND

NOTE:

- MATERIAL SPECIFICATION:
  - SHELL: STAINLESS STEEL
  - HOUSING: LCP BLACK UL94V-0
  - CONTACT: COPPER ALLOY
  - MID PLATE: STAINLESS STEEL
  - CAP: LCP BLACK UL94V-0
- PLATING SPECIFICATION:
  - SHELL: Ni 50~100u" UNDER PLATED OVER ALL.
  - CONTACT: Ni 30~80u" MIN PLATED ON CONTACT AREA  
Au 1u" MIN PLATED ON CONTACT AREA  
Ni 30~80u" MIN PLATED ON SOLDER AREA  
MATTE TIN 50U MIN PLATED ON CONTACT AREA
- MECHANICAL PERFORMANCE:
  - INSERTION FORCE: 0.5~2.0kgf
  - REMOVAL FORCE: 0.8~2.0kgf
  - DURABILITY: 10000 CYCLES.
- ELECTRICAL PERFORMANCE:
  - CURRENT RATING:5.0A  
VOLTAGE RATING:20V MAX
  - CONTACT RESISTANCE: 30mΩ MAX
  - INSULATION RESISTANCE: 100MΩ MIN
  - WITHSTANDING VOLTAGE: 100V AC r.m.s.
- ENVIRONMENTAL PERFORMANCE:
  - OPERATING TEMPERATURE: -40°C~+85°C.
- P/N ORDER: WLT4F0-24 2 X X 0 139

B

C

D

E

F

G

A

B

C

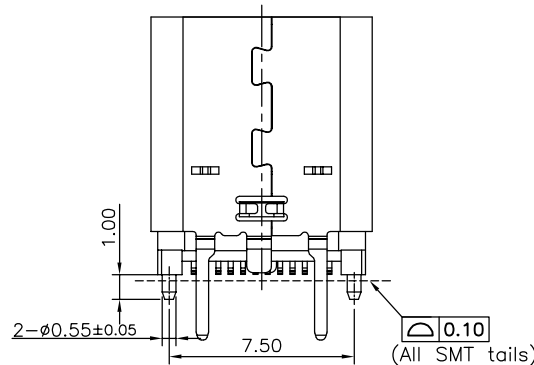
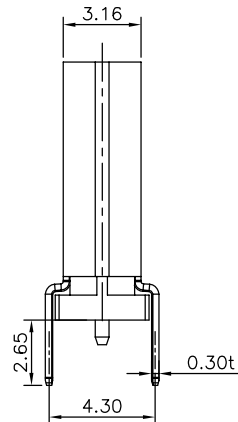
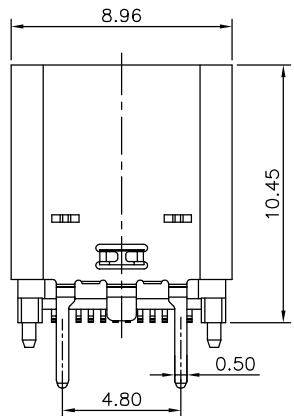
D

E

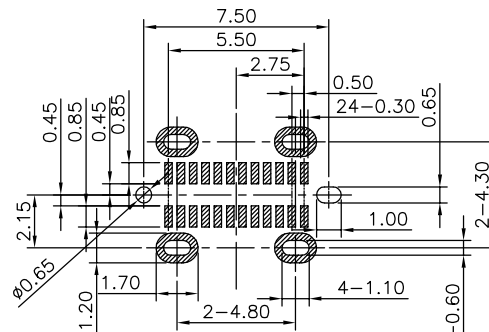
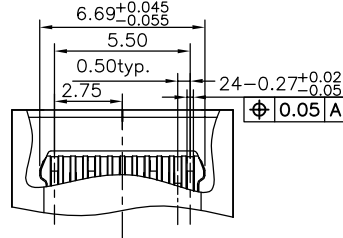
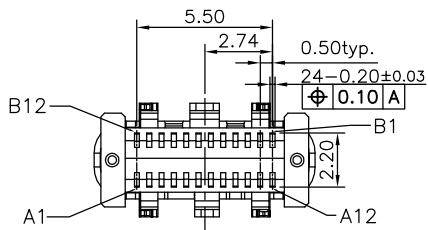
F

G

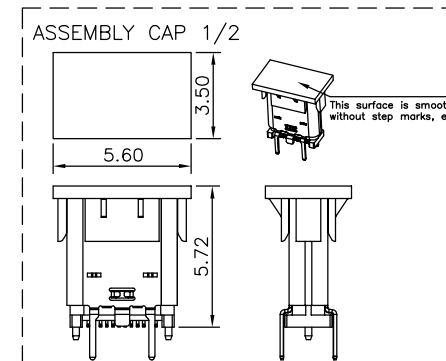
H



PLATING: 1-G/F 2-Au 3u" 5-Au 15u" 6-Au 30u"  
COLOUR: A-BLACK D-ORANGE



P.C.B LAYOUT VIEW  
TOLERANCE ±0.05



REV.	REVISION RECORD	DATE
A0	NEW RELEASE	21.01.13

GENERAL TOLERANCES	
LINEAR	ANGLES
0.0±0.35	X°REF±6°
0.00±0.25	X°±3°
0.000±0.10	X°X'±2°

SCALE:	NAME	DATE
1:1	Wang_jr	21.01.13
APPROVED	Han_Gao	21.01.13
DESIGNER	Zijun_Huang	21.01.13

PART.NO:	TITLE:
WLT4F0-242XX0139	TYPE C 24P/F SMT On the vertical board 10.5H

DWG.NO:
ENDE05



REV:	SHEET:
A0	1/2

1

2

3

4

5

6

7

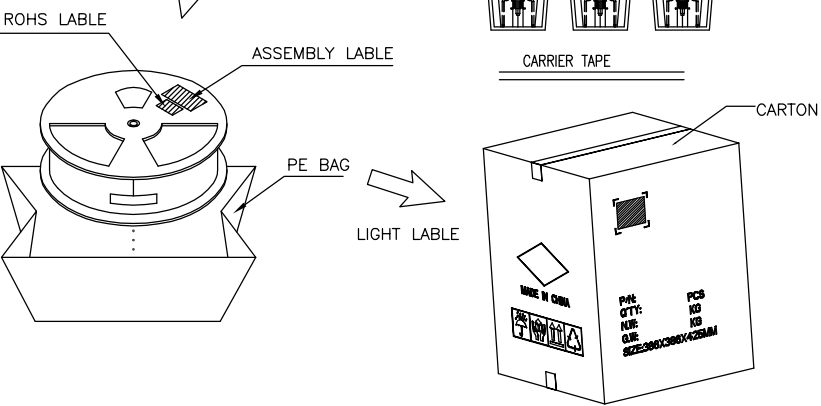
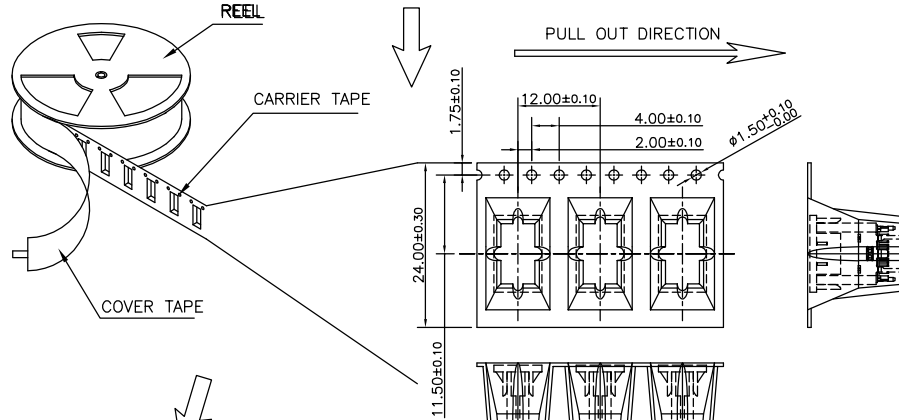
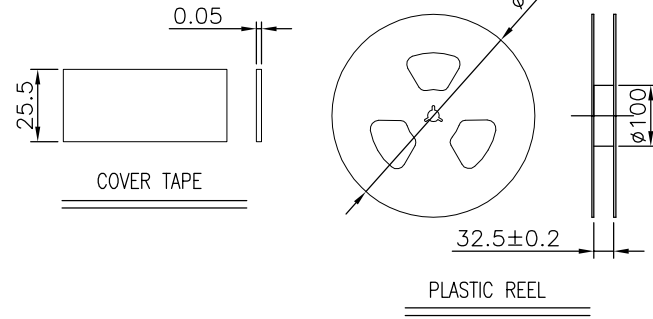
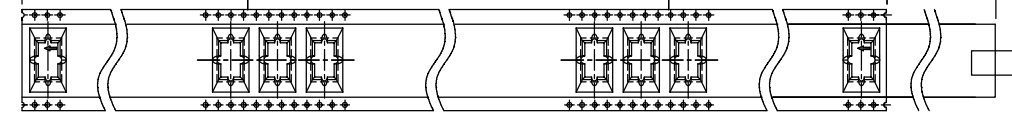
8

The product using material and processing must conform to the "WL-PZ-001"HSF technical standard control requirements

RoHS

160mmMIN.(15CAV. EMPTY)    LOADING 535PCS    300mmMIN.(20CAV. EMPTY)    100mmMIN. COVER TAPE

END SECTION    PRODUCT PACAKGE SECTION    LEADER SECTION



- NOTES 2:
- MATERIAL:
    - REEL AND AXLE: PS,BLUE
    - CARRIER TAPE: PET, LUCID
    - COVER TAPE: PS,TRANSPARENT
    - SHIPPING CARTON: CORRUGATED FIBER
  - DIMENSION:
    - REEL: W=24.5,  $\phi A=380$
    - CARRIER TAPE: T=0.50 W=24.0
    - COVER TAPE: T=0.05 W=25.5
    - SHIPPING CARTON: L=386mm, W=386mm, H=425mm
  - QUANTITY :
    - PRIMAY PACKING: 535PCS/REEL
    - SECONARY PACKING: 10 REELS/CARTON(5350PCS/CARTON)
  - PEELING RESISTANCE: 0.1~1.3N
    - PEELING SPEED: 300mm/minutes
    - PEELING ANGLE: 165° ~180°

REV.	REVISION RECORD	DATE		GENERAL TOLERANCES		SCALE: 1:1	NAME	DATE	PART.NO: WLT4F0-242XX0139	DWG.NO: ENDE05	
A0	NEW RELEASE	21.01.13		LINEAR	ANGLES	APPROVED	Wang_jr	21.01.13			
			UNIT:mm	0.00±0.25	X'±3'	DESIGNER	Han_Gao	21.01.13	TITLE: TYPE C 24P/F SMT On the vertical board 10.5H		
			SIZE: A4	0.000±0.10	X'X' ±2'	DRAWN	Zijun_Huang	21.01.13		REV: A0	

WanLian Teconology Co., Ltd