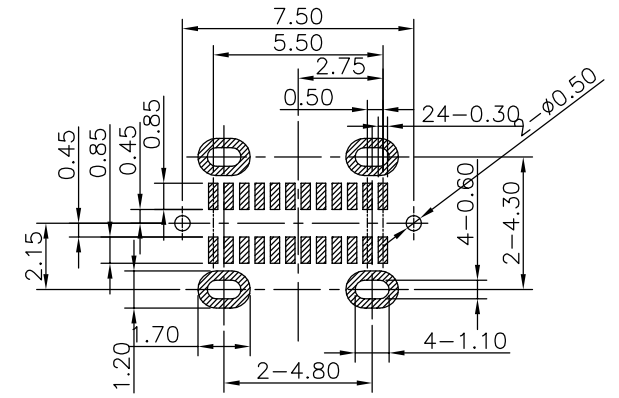
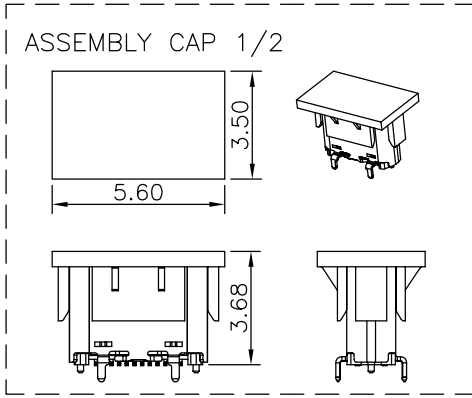
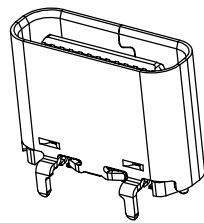
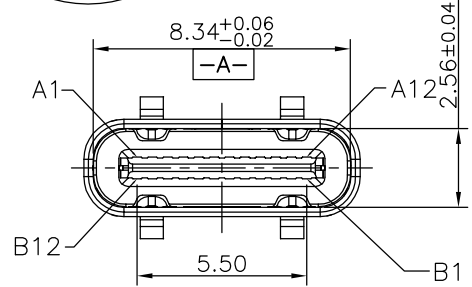


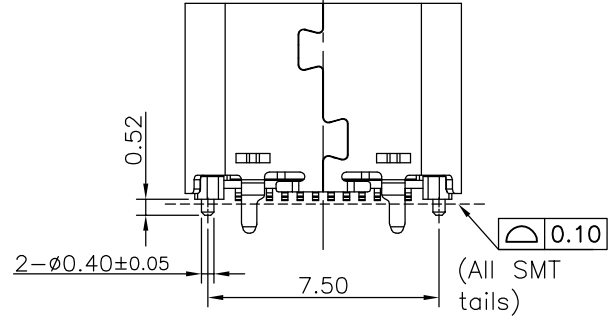
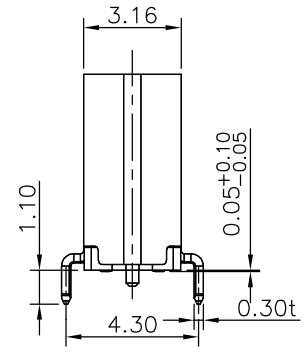
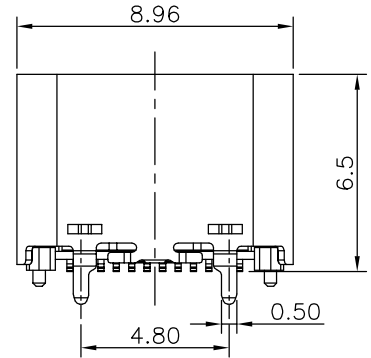
The product using material and processing must conform to the "WL-PZ-001"HSF technical standard control requirements

RoHS



P.C.B LAYOUT VIEW
TOLERANCE ±0.05

NOTE:
 1.MATERIAL SPECIFICATION:
 1-1.SHELL: STAINLESS STEEL
 1-2.HOUSING: LCP BLACK UL94V-0
 1-3.CONTACT: COPPER ALLOY
 1-4.MID PLATE: STAINLESS STEEL
 1-5.CAP: LCP BLACK UL94V-0
 2.PLATING SPECIFICATION:
 2-1.SHELL:
 Ni 50~100u" UNDER PLATED OVER ALL.
 2-2.CONTACT:
 Ni 30~80u" MIN PLATED ON CONTACT AREA
 Au 1u" MIN PLATED ON CONTACT AREA
 Ni 30~80u" MIN PLATED ON SOLDER AREA
 MATTE TIN 50U MIN PLATED ON CONTACT AREA
 3.MECHANICAL PERFORMANCE:
 3-1.INSERTION FORCE: 0.5~2.0kgf
 3-2.REMOVAL FORCE: 0.8~2.0kgf
 3-3.DURABILITY: 10000 CYCLES.
 4.ELECTRICAL PERFORMANCE:
 4-1. CURRENT RATING:5.0A
 VOLTAGE RATING:20V MAX
 4-2.CONTACT RESISTNACE: 30mΩ MAX
 4-3.INSULATION RESISTANCE: 100MΩ MIN
 4-4.WITHSTANDING VOLTAGE: 100V AC r.m.s.
 5.ENVIRONMENTAL PERFORMANCE:
 OPERATING TEMPERATURE: -40°C~+85°C.
 6.P/N ORDER:



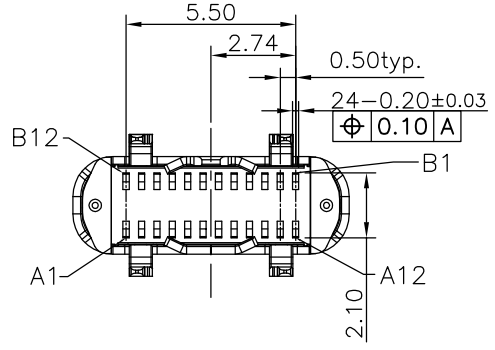
PIN ASSIGNMENT

Pin	Signal Name	Pin	Signal Name	Pin	Signal Name	Pin	Signal Name
A1	GND	B12	GND	A7	D-	B6	D+
A2	TX1+	B11	RX1-	A8	SBU1	B5	CC2
A3	TX1-	B10	RX1+	A9	VBUS	B4	VBUS
A4	VBUS	B9	VBUS	A10	RX2-	B3	TX2+
A5	CC1	B8	SBU2	A11	RX2+	B2	TX2+
A6	D+	B7	D-	A12	GND	B1	GND

PART.NO.:
WLT4F0-24 2 X X 0 140

PLATING:
1-G/F
2-Au 3u"
5-Au 15u"
6-Au 30u"

COLOUR:
A-BLACK
D-ORANGE



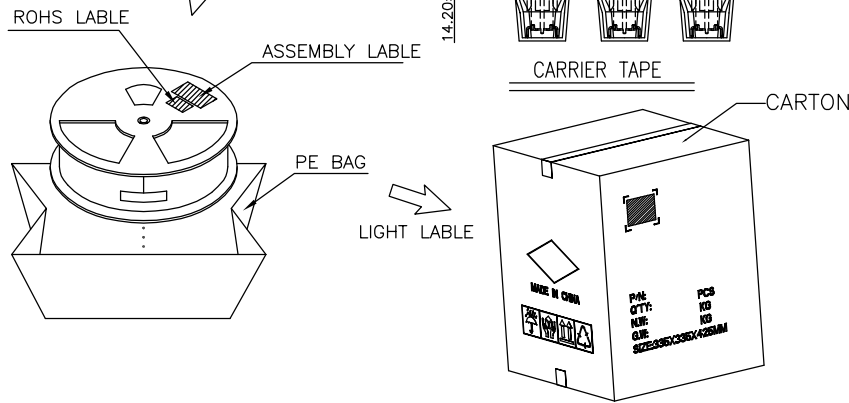
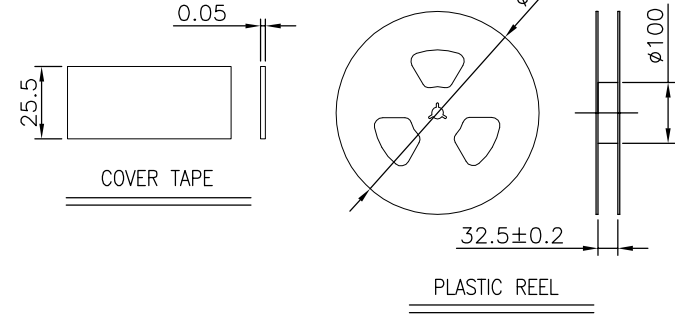
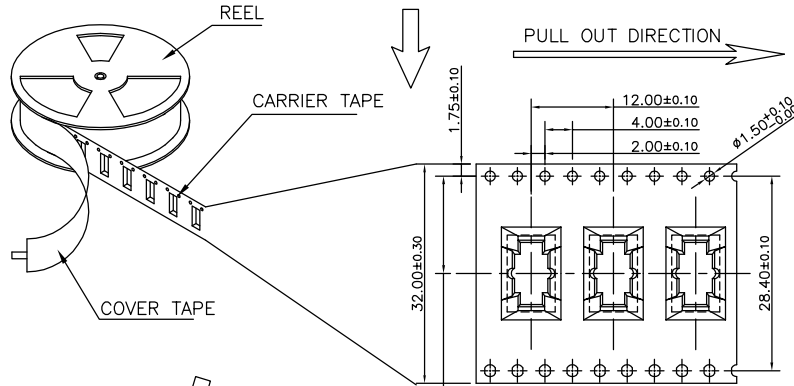
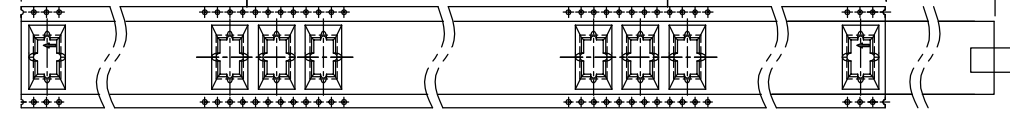
REV.	REVISION RECORD	DATE	GENERAL TOLERANCES		SCALE:	NAME	DATE	PART.NO:	DWG.NO:	
A0	NEW RELEASE	21.01.13	LINEAR	ANGLES	1:1	Wang_jr	21.01.13	WLT4F0-242XX0140	ENDE05	
			0.0±0.35	X'REF±6'	APPROVED	Han_Gao	21.01.13	TITLE:		
			0.00±0.25	X'±3'	DESIGNER	Zijun_Huang	21.01.13	TYPE C 24P/F SMT On the vertical board 6.50H	REV: A0	

The product using material and processing must conform to the "WL-PZ-001"HSF technical standard control requirements

RoHS

160mmMIN.(15CAV. EMPTY) LOADING 880PCS 300mmMIN.(20CAV. EMPTY) 100mmMIN. COVER TAPE

END SECTION PRODUCT PACAKGE SECTION LEADER SECTION



- NOTES 2:
- MATERIAL:
 - 1.1 REEL AND AXLE: PS,BLUE
 - 1.2 CARRIER TAPE: PET, LUCID
 - 1.3 COVER TAPE: PS,TRANSPARENT
 - 1.4 SHIPPING CARTON: CORRUGATED FIBER
 - DIMENSION:
 - 2.1 REEL: W=32.5, ØA=380
 - 2.2 CARRIER TAPE: T=0.50 W=32.0
 - 2.3 COVER TAPE: T=0.05 W=25.5
 - 2.4 SHIPPING CARTON: L=386mm, W=386mm, H=425mm
 - QUANTITY :
 - 3.1 PRIMAY PACKING: 880PCS/REEL
 - 3.2 SECONARY PACKING: 10 REELS/CARTON(8800PCS/CARTON)
 - PEELING RESISTANCE: 0.1~1.3N
 - 4.1 PEELING SPEED: 300mm/minutes
 - 4.2 PEELING ANGLE: 165° ~180°

REV.	REVISION RECORD	DATE		GENERAL TOLERANCES		SCALE:	NAME	DATE	PART.NO: WLT4F0-242XX0140	DWG.NO: ENDE05		
A0	NEW RELEASE	21.01.13		LINEAR	ANGLES	1:1	Wang_jr	21.01.13				
			UNIT:mm	0.00±0.25	X'±3'	APPROVED	Han_Gao	21.01.13	TITLE: TYPE C 24P/F SMT On the vertical board 6.50H		REV: A0	SHEET: 2/2
			SIZE: A4	0.000±0.10	X'X' ±2'	DRAWN	Zijun_Huang	21.01.13				