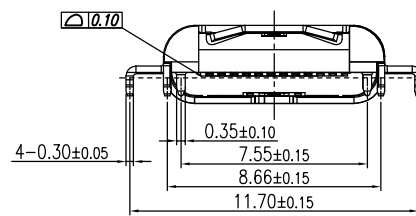
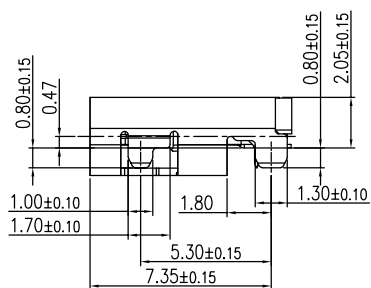
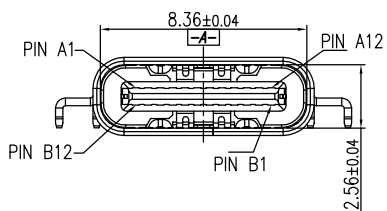
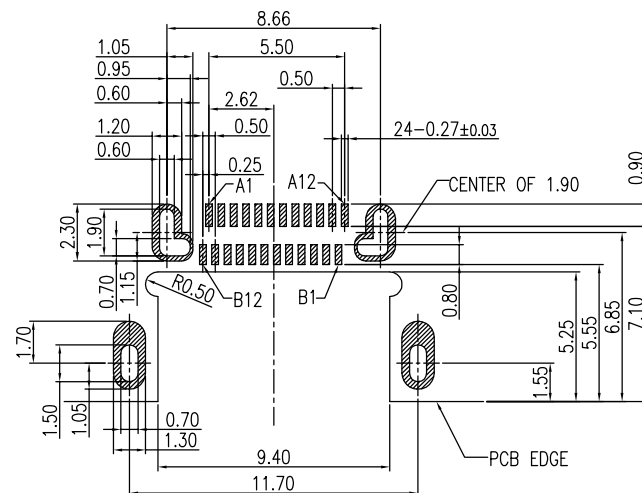
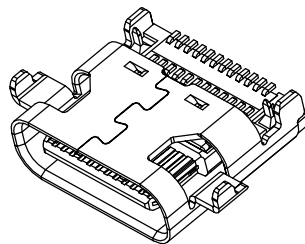
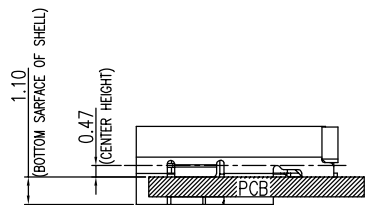
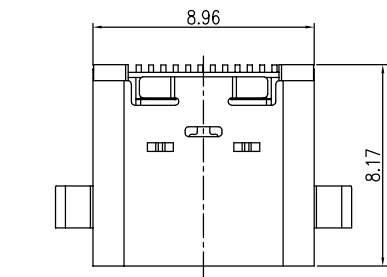


The product using material and processing must conform to the "WL-PZ-001"HSF technical standard control requirements

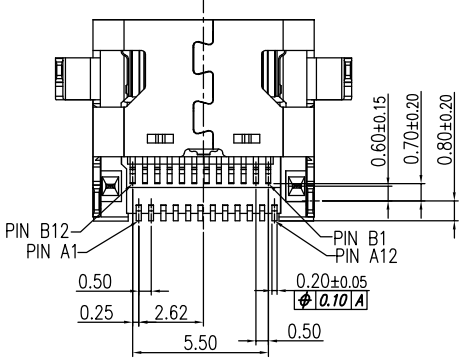
RoHS



P.C.B LAYOUT VIEW

TOLERANCE ±0.05

NOTE:  
 1.MATERIAL SPECIFICATION:  
 1-1.HOUSING: LCP BLACK UL94V-0  
 1-2.CONTACTS: COPPER ALLOY  
 1-3.SHELL: STAINLESS STEEL  
 2.PLATING SPECIFICATION:  
 2-1.CONTACTS:  
 Ni 50u" MIN. UNDER PLATED OVER ALL.  
 Au PLATED ON THE FUNCTIONAL AREA OF CONTACT.  
 2-2.MID PLATE:  
 CLEAR ONLY  
 2-3.FRONT SHELL:  
 Ni 50u" MIN. UNDER PLATED OVER ALL.  
 3.MECHANICAL PERFORMANCE:  
 3-1.INSERTION FORCE: 0.5~2.0kgf.  
 3-2.REMOVAL FORCE: 0.8~2.0kgf.  
 3-3.DURABILITY: 10000 CYCLES.  
 4.ELECTRICAL PERFORMANCE:  
 4-1. CURRENT RATING:5.0A  
 VOLTAGE RATING:20V MAX  
 4-2.CONTACT RESISTNACE: 30mΩ MAX  
 4-3.INSULATION RESISTANCE: 100MΩ MIN  
 4-4.WITHSTANDING VOLTAGE: 100V AC r.m.s.  
 5.ENVIRONMENTAL PERFORMANCE:  
 OPERATING TEMPERATURE: -40°C~+85°C.



PIN ASSIGNMENT

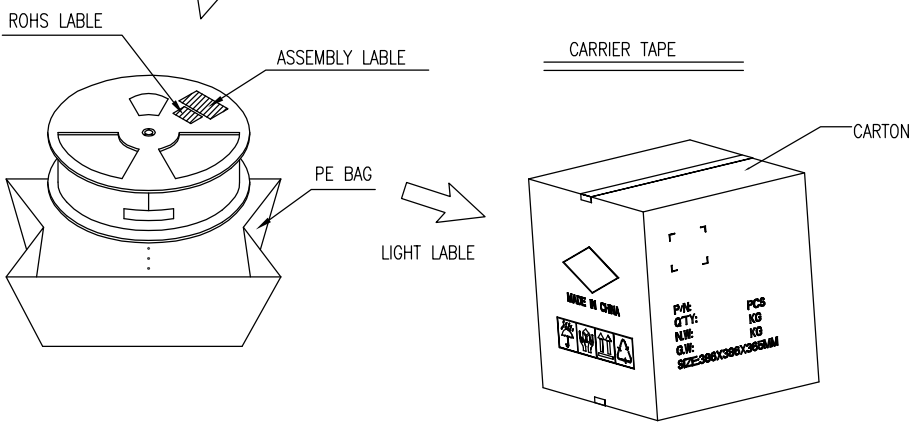
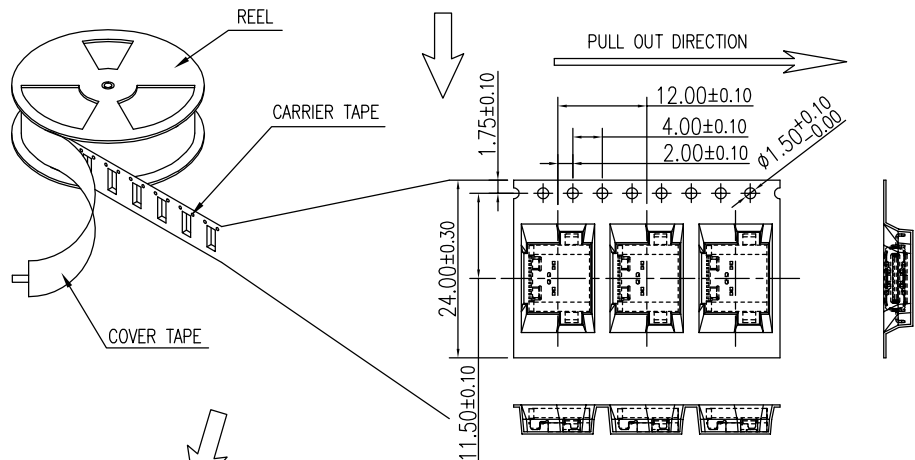
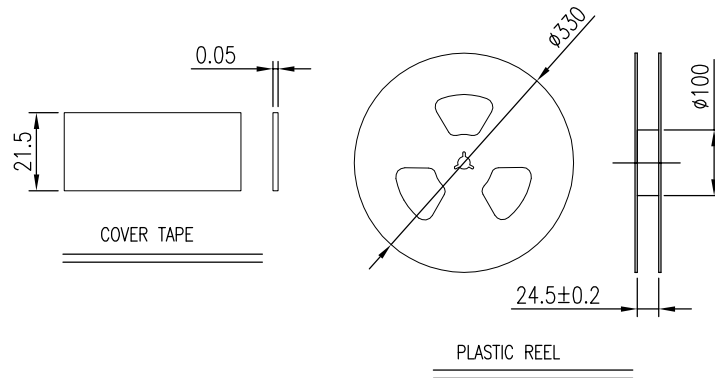
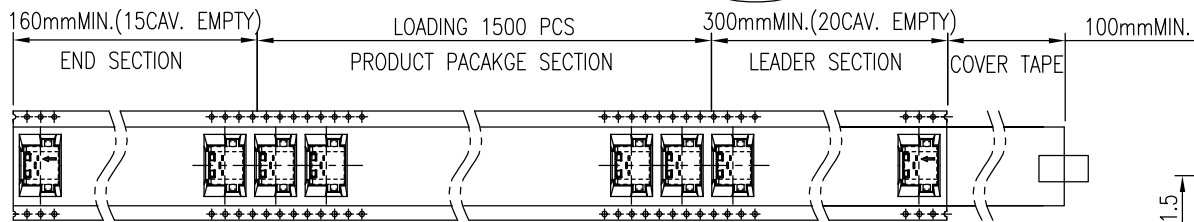
Pin	Signal Name	Pin	Signal Name	Pin	Signal Name	Pin	Signal Name
A1	GND	B12	GND	A7	D-	B6	D+
A2	TX1+	B11	RX1-	A8	SBU1	B5	CC2
A3	TX1-	B10	RX1+	A9	VBUS	B4	VBUS
A4	VBUS	B9	VBUS	A10	RX2-	B3	TX2+
A5	CC1	B8	SBU2	A11	RX2+	B2	TX2+
A6	D+	B7	D-	A12	GND	B1	GND

PART.NO.:  
 WLT4F9-24 8 X X 0 145  
 PLATING:  G/F COLOUR:  
 1-G/F A-BLACK  
 2-Au 3u"  
 5-Au 15u"  
 6-Au 30u"

REV.	REVISION RECORD	DATE	GENERAL TOLERANCES		SCALE:	NAME	DATE	PART.NO:	DWG.NO:
AO	NEW RELEASE	21.01.13	LINEAR	ANGLES	1:1	Wang_jr	21.01.13	WLT4F9-248XX0145	ENDE05
			0.0±0.35	X'REF±6'	APPROVED	Han_Gao	21.01.13	TITLE:	 WanLian Teconology Co., Ltd
			0.00±0.25	X'±3'	DESIGNER	Zijun_Huang	21.01.13	TYPE C 24P/F Mid_mount 2.05H	
			0.000±0.10	X'X' ±2'	DRAWN			REV: A0 SHEET: 1/2	

The product using material and processing must conform to the "WL-PZ-001"HSF technical standard control requirements

RoHS



NOTES 2:

1. MATERIAL:
  - 1.1 REEL AND AXLE: PS,BLUE
  - 1.2 CARRIER TAPE: PET, LUCID
  - 1.3 COVER TAPE: PS,TRANSPARENT
  - 1.4 SHIPPING CARTON: CORRUGATED FIBER
2. DIMENSION:
  - 2.1 REEL: W=24.5, ØA=330
  - 2.2 CARRIER TAPE: T=0.30 W=24.0
  - 2.3 COVER TAPE: T=0.05 W=21.5
  - 2.4 SHIPPING CARTON: L=335mm, W=335mm, H=365mm
3. QUANTITY :
  - 3.1 PRIMAY PACKING: 1500 PCS/REEL
  - 3.2 SECONARY PACKING: 12 REELS/CARTON(1800 PCS/CARTON)
4. PEELING RESISTANCE: 0.1~1.3N
  - 4.1 PEELING SPEED: 300mm/minutes
  - 4.2 PEELING ANGLE: 165° ~180°

REV.	REVISION RECORD	DATE		GENERAL TOLERANCES		SCALE: 1:1	NAME	DATE	PART.NO: WLT4F9-248XX0145	DWG.NO: ENDE05	
AO	NEW RELEASE	21.01.13		LINEAR	ANGLES	APPROVED	Wang_jr	21.01.13			
			UNIT:mm	0.00±0.25	X°±3'	DESIGNER	Han_Gao	21.01.13	TITLE: TYPE C 24P/F Mid_mount 2.05H		
			SIZE: A4	0.000±0.10	X°X' ±2'	DRAWN	Zijun_Huang	21.01.13			