

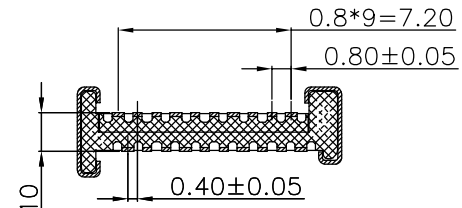
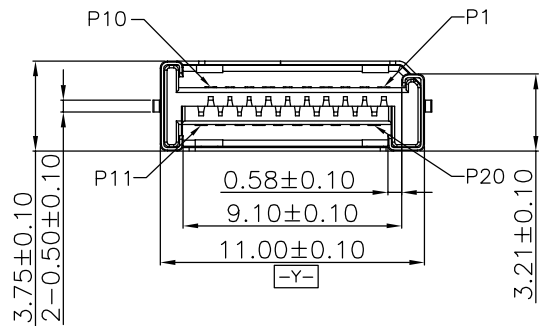
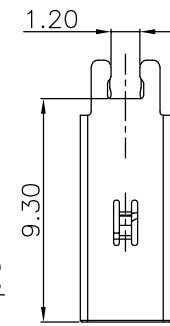
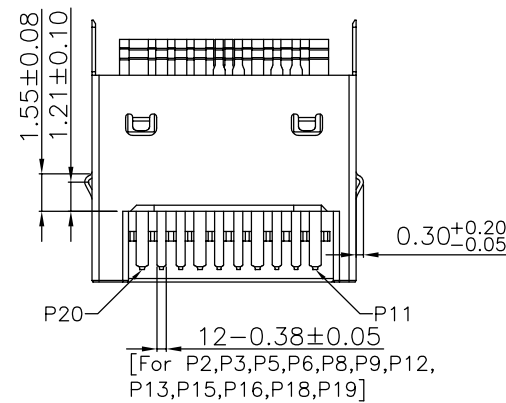
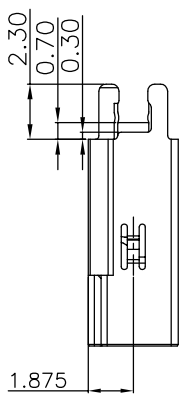
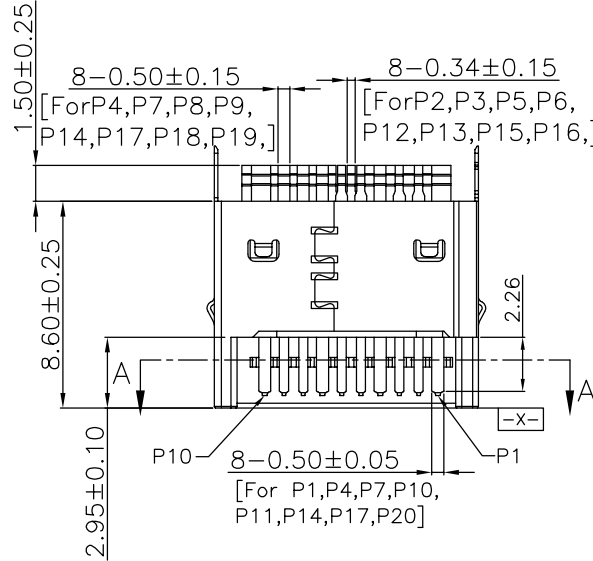
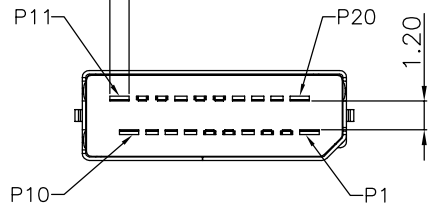
The product using material and processing must conform to the "WI-PZ-001"HSF technical standard control requirements

NOTE:
 1.MATERIAL SPECIFICATION:
 1-1.HOUSING:LCP UL94-V0
 1-2.CONTACT:BRASS
 1-3.SHELL:STAINLESS STEEL.
 2.PLATING SPECIFICATION:
 2-1.CONTACTS:
 Ni UNDER PLATED OVER ALL.
 Au PLATED ON THE FUNCTIONAL AREA OF CONTACT.
 2-2.MID PLATE: CLEAR ONLY
 2-3.SHELL:Ni UNDER PLATED OVER ALL.
 3.MECHANICAL PERFORMANCE:
 3-1.INSERTION FORCE: 2.0kgf MAX
 3-2.REMOVAL FORCE: 0.8kgf MIN
 3-3.DURABILITY: 10000 CYCLES.
 4.ELECTRICAL PERFORMANCE:
 4-1. CURRENT RATING:
 3 AMPERES FOR VBUS PIN;
 1.25 AMPERES FOR ALL OTHER CONTACTS.
 4-2.VOLTAGE RATING:20V MAX
 4-3. CONTACT RESISTANCE: 40m Ohm Max.
 4-4.INSULATION RESISTANCE: 100MΩ MIN
 4-4.WITHSTANDING VOLTAGE: 100V AC r.m.s.
 5.ENVIRONMENTAL PERFORMANCE:
 OPERATING TEMPERATURE: -25°C~+85°C.
 6.P/N:

WLT4M0-20 5 X X 0 08-026

PLATED: 1-G/F 2-Au 3u" 5-Au 15u" 6-Au 30u"
 COLOUR: A-BLACK G-BLUE

4-0.80±0.15 for P1,P10,P11,P20



SECTION A-A SCALE 1:1

Key-A 20-Pin Plug to One Type-C Port										
Pin No.	P1	P2	P3	P4	P5	P6	P7	P8	P9	P10
Signal Nome	VBUS	TX1+	TX1-	GND	RX1+	RX1-	VBUS	CC1	SBU1	SBU2
Key-A 20-Pin Plug to One Standard-A Port										
Pin No.	P1	P2	P3	P4	P5	P6	P7	P8	P9	P10
Signal Nome	VBUS	TX1+	TX1-	GND	RX1+	RX1-	VBUS	CC1		
Key-A 20-Pin Plug to One Standard-A Port										
Signal Nome		D+	D-	GND			GND			VBUS
Pin No.	P20	P19	P18	P17	P16	P15	P14	P13	P12	P11

REV.	REVISION RECORD	DATE		GENERAL TOLERANCES		SCALE: 1:1	NAME	DATE	PART.NO:	DWG.NO:		
A0	NEW RELEASE	21.01.13		LINEAR	ANGLES	APPROVED	Wang_jr	21.01.13	WLT4M0-205XX008-026	ENDE05		
				0.0±0.35	X°REF±6°	DESIGNER	Han_Gao	21.01.13	TITLE: DisplayPort 公头 夹板式1.2 不带板			
			UNIT:mm	0.00±0.25	X°±3°	DRAWN	Zijun_Huang	21.01.13			REV: A0	SHEET: 1/1
			SIZE: A4	0.000±0.10	X°X' ±2°							