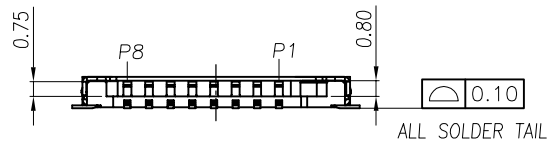
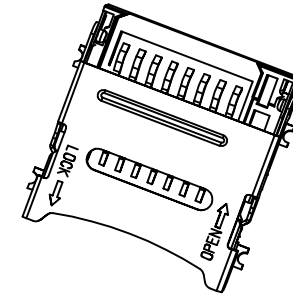
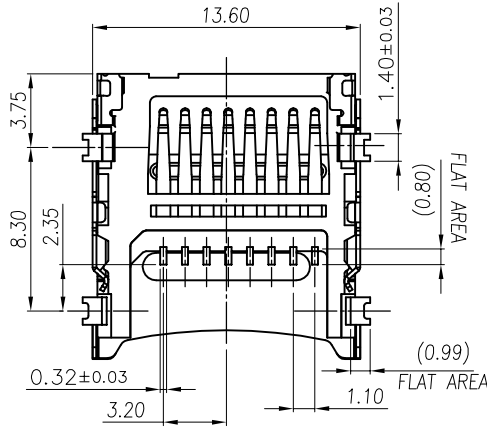
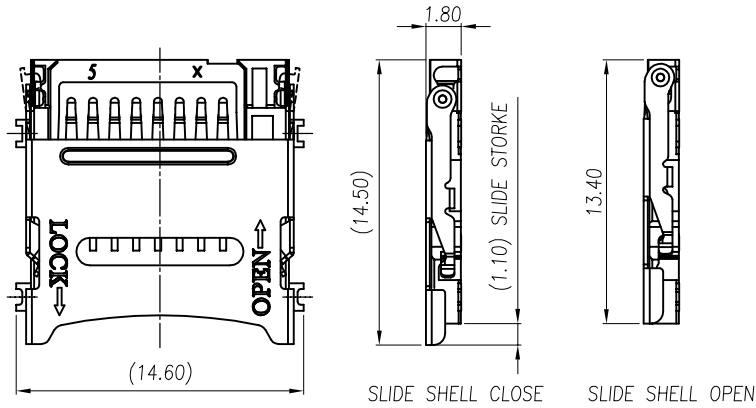
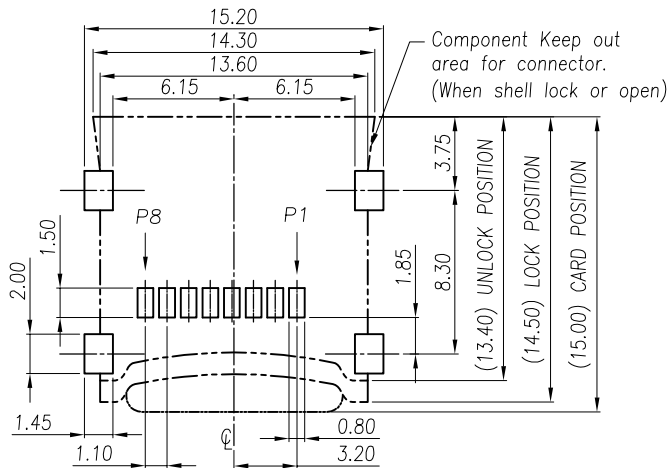


The product using material and processing must conform to the "WI-PZ-001"HSF technical standard control requirements

RoHS



ALL SOLDER TAIL




RECOMMENDED PCB LAYOUT(TOP VIEW)
GENERAL TOLERANCES:±0.05

Memory Card Pin Assiament			
Pin No.	NAME	TYPE	DESCRIPTION
1	DAT 2	I/O/PP	Date Line(bit2)
2	CD/DAT 3	I/O/PP	Card Detect/Date Line(bit3)
3	CMD	PP	Command Response
4	VDD	S	Supply Voltage
5	CLK	I	Colck
6	VSS	S	Supply Voltage Ground
7	DAT0	I/O/PP	Date Line(bit0)
8	DAT1	I/O/PP	Date Line(bit1)

NOTE:

- MATERIAL SPECIFICATION:
 - HOUSING:LCP UL94 V-0
 - CONTACTS:COPPER ALLOY.
 - SHIELDED:SUS201
- PLATING SPECIFICATION:
 - CONTACTS: SELECTIVE GOLD PLATED ON CONTACT AREA
100u" Min. TIN PLATED ON SOLDER TAIL
50u" Min. NICKEL UNDER-PLATED
 - SHELL:
NO PLATED
- ELECTRICAL PERFORMANCE:
 - CURRENT RATING:0.5A
 - VOLTAGE RATING:12V MAX
 - CONTACT RESISTANCE: 50m Ohm MAX.
 - INSULATION RESISTANCE: 100MQ MIN 100V DC
 - DIELECTRIC WITHSTANDING VOLTAGE: 100V AC MIN.
- ENVIRONMENTAL PERFORMANCE:
 - OPERATING TEMPERATURE: -20°C~+85°C.

WLTF9-08 2 X X 0 004
PLATING: 1-G/F
2-AU 3U"
5-AU 15U"
6-AU 30U"
COLOUR:
A:Black

REV.	REVISION RECORD	DATE	GENERAL TOLERANCES		SCALE:	NAME	DATE	PART.NO:	DWG.NO:	 万连科技 WanLian Teconology Co., Ltd
AO	NEW RELEASE	21.01.13	LINEAR	ANGLES	1:1	Wang_jr	21.01.13	WLTF9-082XX0004	ENDE05	
			0.0±0.35	X°REF±6°	APPROVED	Ding_bo	21.01.13	TITLE:		
			UNIT:mm	0.00±0.25	X'±3'	DESIGNER	Ou_jian	1.8H 掀盖TF卡		
			SIZE: A4	0.000±0.10	X'X' ±2'	DRAWN				

REV: A0 SHEET: 1/1